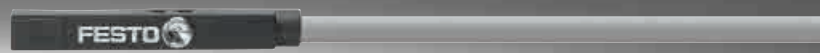


Proximity sensors SME-10, for C-slot

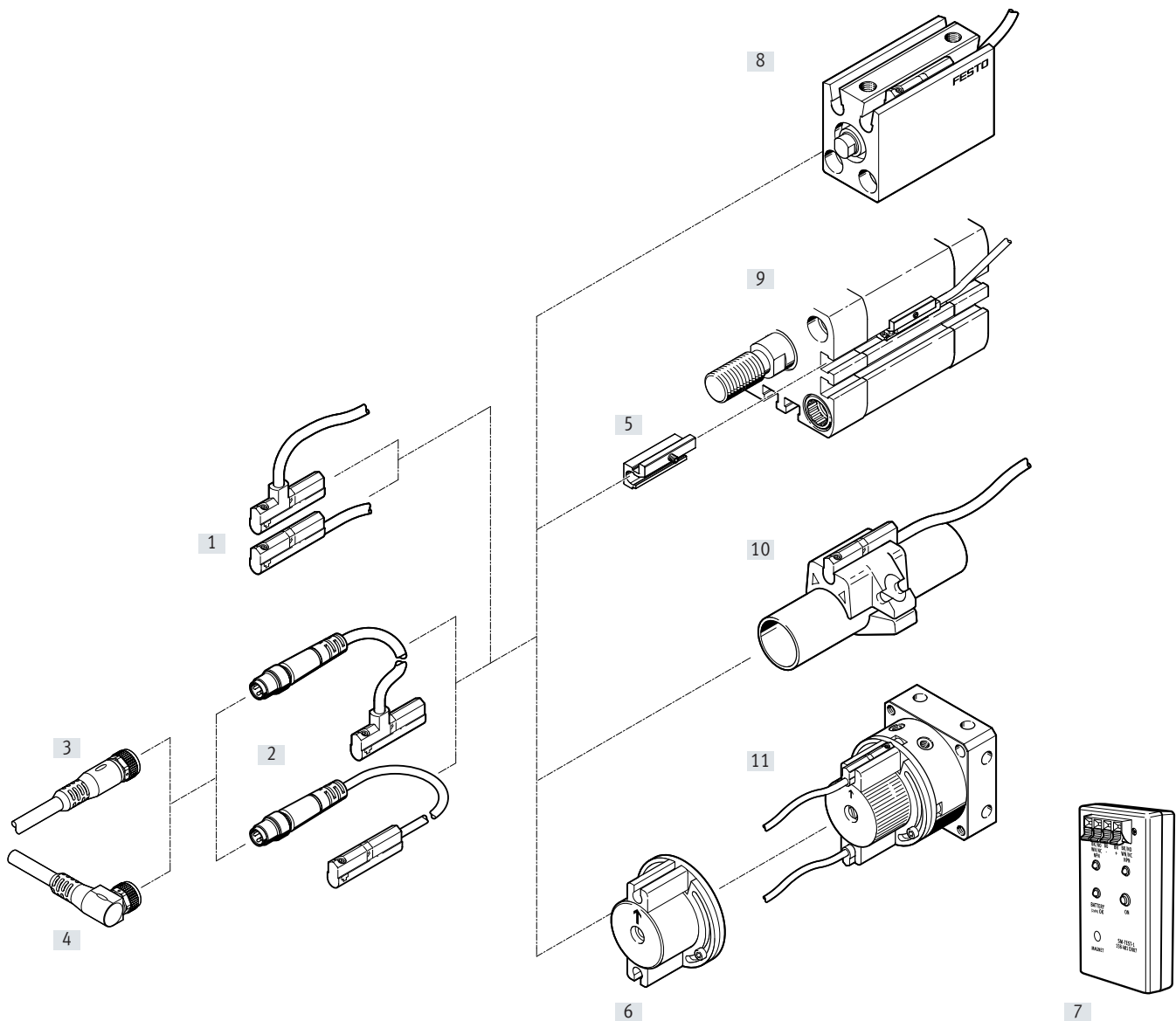
FESTO



Product range overview

Design	Type of mounting	Measuring principle	Type	Operating voltage range	Switching output	Switching element function	→ Page/Internet
For C-slot	Standard						
	Insertable in the slot from above, flush with the cylinder profile	Magneto-resistive	SMT-10M	5 ... 30 V DC	PNP	N/O contact	–
					NPN		
					Non-contacting, 2-wire		
	Insertable in the slot lengthwise	Magnetic reed	SME-10M	5 ... 30 V AC/DC	Contacting, bipolar	N/O contact	–
		Magneto-resistive	SMT-10G	10 ... 30 V DC	PNP, NPN	N/O contact	–
Magnetic reed		SME-10	12 ... 27 V AC/DC	Contacting	N/O contact	5	

Peripherals overview



Mounting components and accessories		→ Page/ Internet
Proximity sensor		
[1]	SME-10, with cable	5
[2]	SME-10, with cable and plug	5
Connecting cables		
[3]	Connecting cable NEBU-M...G...	10
[4]	Connecting cable NEBU-M...W...	10
Mounting kits		
[5]	Mounting kit SMBN-10	9
[6]	Mounting kit WSM-...-SME-10	10

Mounting components and accessories		→ Page/ Internet
Accessories		
[7]	Sensor tester SM-TEST-1	10
-	Positioning element SMM-10	9
-	Clip SMBK-10	10
-	Inscription label ASLR	10
-	Safety clip NEAU	10
Drives		
[8]	Drives with C-slot	-
[9]	Drives with T-slot	-
[10]	Round cylinder	-
[11]	Semi-rotary drive DSM	-

Type codes

001	Series
SME	Proximity sensor

002	Design type
10	For round slot, insertable in the slot lengthwise

003	Electrical connection, cable length, outlet orientation of connection
KL	Cable, 2.5 m, in-line
KQ	Cable, 2.5 m, lateral
SL	Plug M8x1 with cable, 0.3 m, in-line
SQ	Plug M8x1 with cable, 0.3 m, lateral

004	Switching status indication
LED	Yellow LED

005	Rated operating voltage
24	24 V DC

Data sheet – Magnetic reed

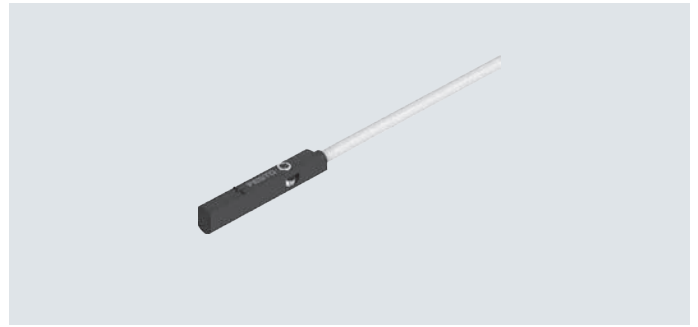
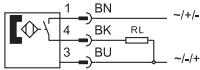
Function

N/O contact, 3-wire, with cable

- Magneto-resistive measuring principle
- Insertable in the slot lengthwise



N/O contact, 3-wire, with plug



General technical data

Design	For C-slot
Mounting position	Any
Measured variable	Position
Conforms to standard	EN 60947-5-2
Certification	RCM compliance mark
Application information	Support / Actuator-sensor overview
CE marking (see declaration of conformity)	To EU EMC Directive To EU RoHS Directive
UKCA marking (see declaration of conformity)	To UK instructions for EMC To UK RoHS instructions
Note on materials	RoHS-compliant

Input signal/measuring element

Measuring principle	Magnetic reed
Ambient temperature [°C]	-20 ... +70

Switching output

Switching output	Contacting, bipolar
Switching element function	N/O contact
Repetition accuracy [mm]	0.2
Reproducibility of switching value [mm]	±0.1
Switch-on time [ms]	≤0.6
Switch-off time [ms]	≤0.05
Max. output current [mA]	100
Max. switching frequency [Hz]	500
Max. switching capacity DC [W]	1
Voltage drop [V]	0

Output, additional data

Short circuit protection	No
Overload protection	Not present

Electronics

Operating voltage range DC [V]	12 ... 27
Operating voltage range AC [V]	12 ... 27
Reverse polarity protection	No

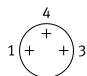
Data sheet – Magnetic reed

Electromechanical components		
Type	SME-10-...-K...-...	SME-10-...-S...-...
Electrical connection 1		
Function	Switching output, power supply	
Connection type	Cable	Cable with plug
Connection technology	Open end	M8x1, A-coded to EN 61076-2-104
Number of pins/wires	3	
Outlet direction of connection	In-line, lateral	In-line, lateral
Cable length [m]	2.5	0.3
Information on materials: cable sheath	TPE-U (PUR)	
Cable sheath colour	Grey	

Mechanical components		
Type	SME-10-...-K...-...	SME-10-...-S...-...
Type of mounting	Clamped in C-slot, insertable in the slot lengthwise	
Tightening torque [Nm]	0.18	
Information on materials: housing	PPS, high-alloy stainless steel	PPS, TPE-U(PU) High-alloy stainless steel Nickel-plated brass
Housing colour	Black	

Display/operation	
Switching status indication	Yellow LED

Immission/emission	
Ambient temperature with flexible cable installation [°C]	-5 ... +70
Degree of protection	IP65 IP67
Insulation voltage [V]	50
Surge resistance [kV]	0.8
Pollution degree	3
PWIS conformity	VDMA24364-B2-L

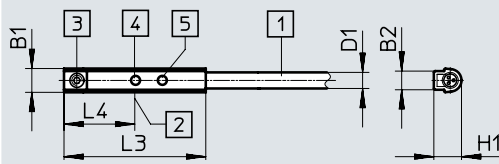
Pin allocation to EN 60947-5-2			
Plug, 3-pin, M8x1			
Port pattern	Pin	Wire colour	Allocation
	1	Brown	+
	3	Blue	-
	4	Black	Output

Data sheet – Magnetic reed

Dimensions

Download CAD data → www.festo.com

Cable, in-line connection direction



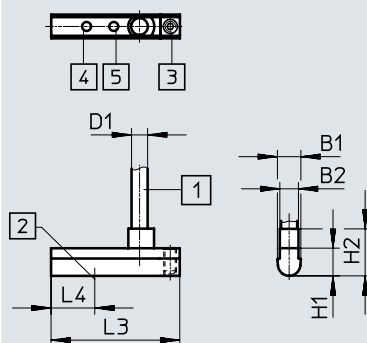
- [1] Connecting cable
- [2] Theoretical switching point
- [3] Threaded pin M2x4
- [4] Yellow LED (positive switching)
- [5] Yellow LED (negative switching)

Type	B1	B2	D1 ∅	H1	L3 + 0.4	L4
SME-10-KL-LED-24	3.7	2.9	2.4	4.3	22	11

Dimensions

Download CAD data → www.festo.com

Cable, lateral connection direction



- [1] Connecting cable
- [2] Theoretical switching point
- [3] Threaded pin M2x4
- [4] Yellow LED (positive switching)
- [5] Yellow LED (negative switching)

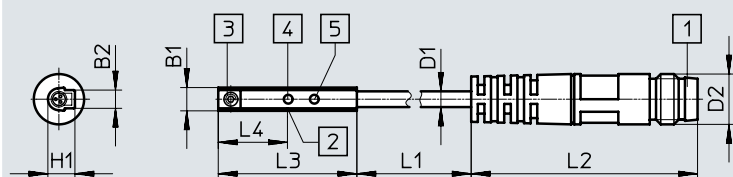
Type	B1	B2	D1 ∅	H1	H2	L3 + 0.4	L4
SME-10-KQ-LED-24	3.7	2.9	2.4	4.3	7.3	20	6.8

Data sheet – Magnetic reed

Dimensions

Download CAD data → www.festo.com

Plug M8x1, in-line connection direction



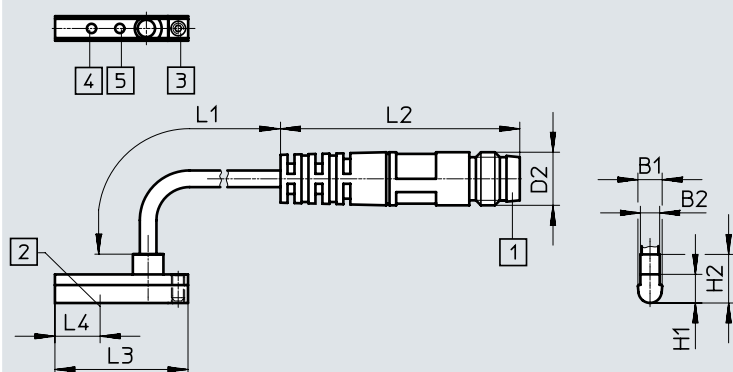
- [1] Plug to fit connecting cable NEBU-M8
- [2] Theoretical switching point
- [3] Threaded pin M2x4
- [4] Yellow LED (positive switching)
- [5] Yellow LED (negative switching)

Type	B1	B2	D1 ∅	D2	H1	L1	L2 ± 1	L3 + 0.4	L4
SME-10-SL-LED-24	3.7	2.9	2.4	M8	4.3	310	34	22	11

Dimensions

Download CAD data → www.festo.com

Plug M8x1, lateral connection direction



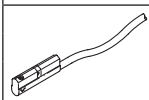
- [1] Plug to fit connecting cable NEBU-M8
- [2] Theoretical switching point
- [3] Threaded pin M2x4
- [4] Yellow LED (positive switching)
- [5] Yellow LED (negative switching)

Type	B1	B2	D2	H1	H2	L1 -10 ... 30	L2 ± 1	L3 + 0.4	L4
SME-10-SQ-LED-24	3.7	2.9	M8	4.3	7.3	310	34	20	6.8

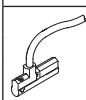
Ordering data

Switching output	Electrical connection		Cable length [m]	Part no.	Type
	Cable	Cable with plug M8x1			

In-line connection direction

	N/O contact		Cable length [m]	Part no.	Type
	Contacting, bipolar	3-wire			
		3-wire	2.5	173210	SME-10-KL-LED-24
		-	0.3	173212	SME-10-SL-LED-24

Lateral connection direction

	N/O contact		Cable length [m]	Part no.	Type
	Contacting, bipolar	3-wire			
		3-wire	2.5	173211	SME-10-KQ-LED-24
		-	0.3	173213	SME-10-SQ-LED-24

Accessories

Mounting SMBN-10

for mounting proximity sensors
SME/SMT-10 on drives with T-slot

Material:

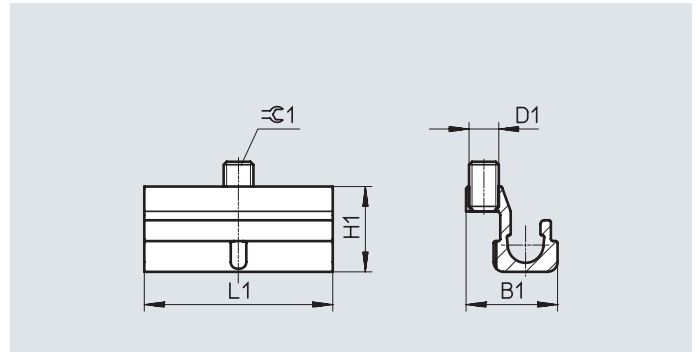
Rail: anodised wrought aluminium
alloy

Screws: high-alloy stainless steel

Note on materials:

Free of copper and PTFE

RoHS-compliant



Dimensions and ordering data

For piston \varnothing	D1	B1	H1	L1	\varnothing 1	Part no.	Type
125 ... 320	M3	9.3	8.6	19	1.5	537809	SMBN-10

Positioning element SMM

insertable in the slot lengthwise

Ambient temperature: $-40 \dots +120^{\circ}\text{C}$

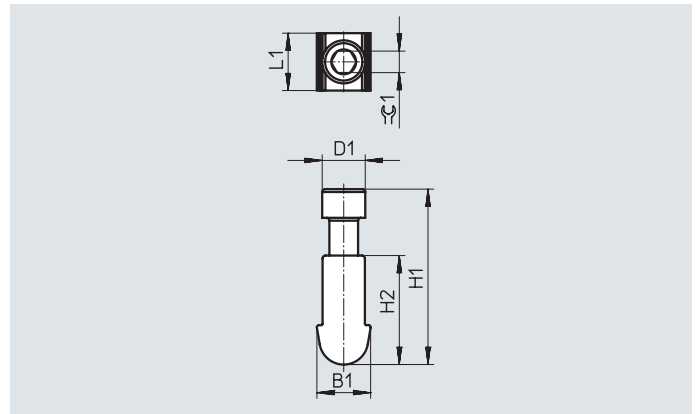
Materials:

Housing: anodised wrought aluminium
alloy

Screws: high-alloy stainless steel

Note on materials:

RoHS-compliant



Dimensions and ordering data

B1	D1	H1	H2	L1	\varnothing 1	CRC ¹⁾	Part no.	Type	PU ²⁾
3.75	3.0	12.23	7.6	4.0	1.5	3	547942	SMM-10	10

1) Corrosion resistance class CRC 3 to Festo standard FN 940070



High corrosion stress. Outdoor exposure under moderate corrosive conditions. Externally visible parts with primarily functional surface requirements which are in direct contact with a normal industrial environment.

2) Packaging unit

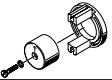
Accessories

Ordering data – Connecting cables


Data sheets → Internet: nebu

Type	Number of wires	Cable length [m]	Part no.	Type
Socket M8x1, 3-pin				
	For SMT/SME-10...	3	2.5	★ 541333 NEBU-M8G3-K-2.5-LE3
			5	★ 541334 NEBU-M8G3-K-5-LE3
	For SMT/SME-10...	3	2.5	★ 541338 NEBU-M8W3-K-2.5-LE3
			5	★ 541341 NEBU-M8W3-K-5-LE3

Ordering data – Mounting components

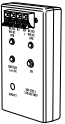
For Ø	Description	Part no.	Type
	Mounting kit for mounting proximity sensors on semi-rotary drive DSM	6	173205 WSM-6-SME-10
		8	173206 WSM-8-SME-10
		10	173207 WSM-10-SME-10
–	For fixing connecting cables in place	534255	SMBK-10

Ordering data – Safety clips for ATEX zone

Size	Description	Part no.	Type	PU ¹⁾
	<ul style="list-style-type: none"> Protects "equipment that is not intrinsically safe" in zones 2 and 22 against simple disconnection ATEX category: gas: II 3G / dust: II 3D 	M8	548067 NEAU-M8-GD	1
		M12	548068 NEAU-M12-GD	1

1) Packaging unit

Ordering data – Sensor tester

Description	Part no.	Type
 <ul style="list-style-type: none"> Testing the functionality of proximity sensors using the integrated voltage supply Adjusting the proximity sensors on the cylinder 	158481	SM-TEST-1

Ordering data – Inscription labels

Size	Part no.	Type	PU ¹⁾
	23x4 mm	541598 ASLR-L-423	34

1) Packaging unit

Festo - Your Partner in Automation



1 Festo Inc.
5300 Explorer Drive
Mississauga, ON L4W 5G4
Canada

Festo Customer Interaction Center
Tel: 1 877 463 3786
Fax: 1 877 393 3786
Email: customer.service.ca@festo.com



2 Festo Pneumatic
Av. Ceylán 3,
Col. Tequesquináhuac
54020 Tlalnepantla,
Estado de México

Multinational Contact Center
01 800 337 8669
ventas.mexico@festo.com



3 Festo Corporation
1377 Motor Parkway
Suite 310
Islandia, NY 11749

Festo Customer Interaction Center
1 800 993 3786
1 800 963 3786
customer.service.us@festo.com



4 Regional Service Center
7777 Columbia Road
Mason, OH 45040

Connect with us



www.festo.com/socialmedia



www.festo.com

Subject to change