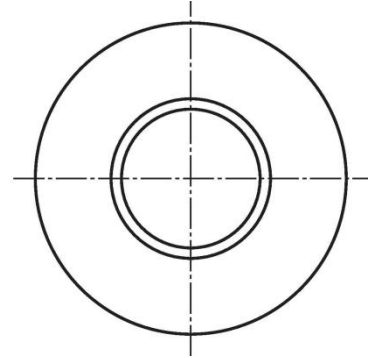
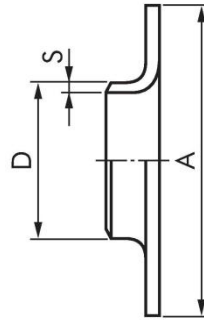


S-J8AY series

Pre-Welding Capstan Washers DIN 2642 PN 10



1.4571	DN	D	A	S
F2VSX	10	17.2	40	2
F2VSY	15	21.3	45	2
F2VSZ	20	26.9	58	2
F2VT2	20	26.9	58	2.5
F2VT3	25	33.7	68	2
F2VT4	25	33.7	68	2.5
F2VT5	25	33.7	68	3
F2VT6	32	42.4	78	2
F2VT7	32	42.4	78	2.5
F2VT8	32	42.4	78	3
F2VT9	40	48.3	88	2
F2VTA	40	48.3	88	2.5
F2VTB	40	48.3	88	3
F2VTC	50	60.3	102	2
F2VTD	50	60.3	102	2.5
F2VTE	50	60.3	102	3
F2VTF	65	76.1	122	2
F2VTG	65	76.1	122	2.5
F2VTH	65	76.1	122	3
F2VTJ	80	88.9	138	2
F2VTK	80	88.9	138	2.5
F2VTM	80	88.9	138	3
Steel ST 35.8	DN	D	A	S
F2VUB	15	21.3	45	2
F2VUC	20	26.9	58	2.3
F2VUD	25	33.7	68	2.6
F2VUE	32	42.4	78	2.6
F2VUF	40	48.3	88	2.6
F2VUG	50	60.3	102	2.9
F2VUH	65	76.1	122	2.9
F2VUJ	80	88.9	138	3.2
F2VUK	100	114.3	158	3.6
F2VUM	125	139.7	188	4
F2VUN	150	168.3	212	4.5
F2VUP	200	219.1	268	6.3
F2VUQ	250	273	320	6.3

1.4571	DN	D	A	S
F2VTN	80	88.9	138	4
F2VTP	100	114.3	158	2
F2VTQ	100	114.3	158	2.5
F2VTR	100	114.3	158	3
F2VTS	125	139.7	188	2
F2VTT	125	139.7	188	2.5
F2VTU	125	139.7	188	3
F2VTV	150	168.3	212	2
F2VTW	150	168.3	212	2.5
F2VTX	150	168.3	212	3
F2VTY	200	219.1	268	2
F2VTZ	200	219.1	268	2.5
F2VU2	200	219.1	268	3
F2VU3	200	219.1	268	3.5
F2VU4	200	219.1	268	4
F2VU5	250	273	320	3
F2VU6	250	273	320	4
F2VU7	300	323.9	370	3
F2VU8	300	323.9	370	4
F2VU9	400	406.4	482	4
F2VUA	500	500	508	4