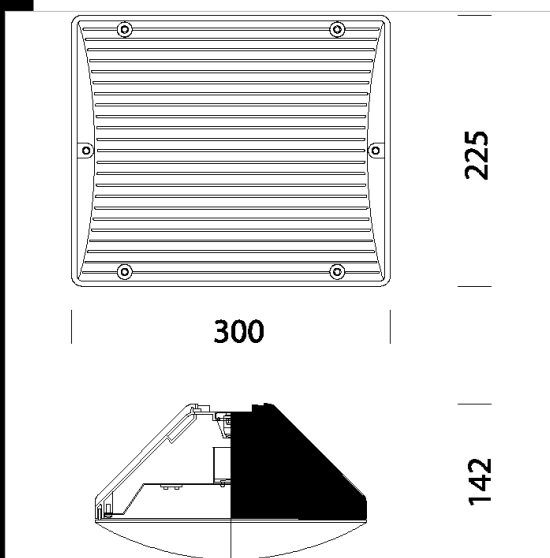


1264 Vega LED

Housing: In fiberglass nylon, vandal resistant.
 Diffuser: In matt polycarbonate, anti-dazzle, vandal resistant and V2 self-extinguishing, UV-stabilized.
 Equipment: Gasket in environment-friendly material. Cable gland in f.g. nylon Ø 1/2 gas thread (cable min Ø 9 max Ø 12). Retained antivandal steel screws.
 Regulations: Produced according to applicable EN60598 -1 CEI 34-21 standards, IP65IK08 degree of protection according to EN 60529 standards. They have obtained the ENEC European Certificate of Conformity. These products can be installed on normally inflammable surfaces.
 Power factor 0.9.
 Photobiological safety class: exempt group EN62471.
 Emergency light version: It has a 60-minute emergency run time. When power is restored, the battery recharges automatically.



Code	Gear	Kg	Lumen Output-K-CRI	WTot	Colour
420665-00	CLD	1,50	LED-1657lm-4000K-CRI 70	20 W	BLACK
420666-00	CLD	1,50	LED-1657lm-4000K-CRI 70	20 W	GREY
420669-00	CLD	1,44	LED-3315lm-4000K-CRI 70	35 W	BLACK
420665-07	CLD-E	1,84	LED-1657lm-4000K-CRI 70	23 W	BLACK
420666-07	CLD-E	1,86	LED-1657lm-4000K-CRI 70	20 W	GREY

Accessori



- 1266 tilting joint



- Self-adhesive pictograms

Pali



- 5 fiberglass pole



Download

- DXF 2D
- 1264.dxf
- Montaggi
- 1264_02-21.pdf
- BIM
- 1264 Vega - 20200623.zip

The reported luminous flux is the flux emitted by the light source with a tolerance of ± 10% compared to the indicated value. The W tot column indicates the total wattage absorbed by the system without exceeding 10% of the indicated