

Download

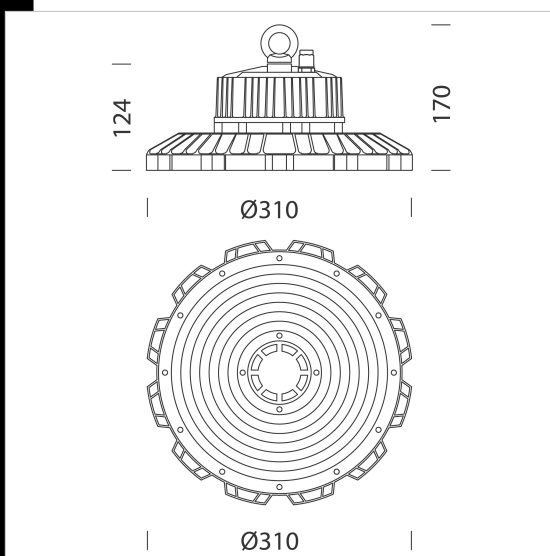
DXF 2D
- lucente31.dxf

Montaggi
- LUCENTE rev5.pdf



3700 Lucente 3.1

Housing/frame: in die-cast aluminium with cooling fins integrated into the cover. Diffuser: in polycarbonate with concentric discs. Equipment: complete with connector for quick installation. LED: power factor: 0,9. LED luminous flux maintenance 80%: 50.000h (L80B20). Photobiological safety class: exempt group.



Code	Gear	Kg	Lumen Output-K-CRI	WTot	Colour
22370031-00	CLD	3,44	LED-21000lm-4000K-CRI 80	150 W	GRAPHITE
22370032-00	CLD	4,22	LED-28000lm-4000K-CRI 80	200 W	GRAPHITE

Accessori



- Luciente 3.1 Reflector UGR<25

The reported luminous flux is the flux emitted by the light source with a tolerance of $\pm 10\%$ compared to the indicated value. The W tot column indicates the total wattage absorbed by the system without exceeding 10% of the indicated