



The complete, simple and versatile
Internet Protocol System

Installer manual

www.comelitgroup.com



Fonts are (c) Bitstream (see below). DejaVu changes are in public domain.
Glyphs imported from Arev fonts are (c) Tavmjong Bah (see below)
Bitstream Vera Fonts Copyright

Copyright (c) 2003 by Bitstream, Inc. All Rights Reserved. Bitstream Vera is a trademark of Bitstream, Inc.

Permission is hereby granted, free of charge, to any person obtaining a copy of the fonts accompanying this license ("Fonts") and associated documentation files ("Font Software"), to reproduce and distribute the Font Software, including without limitation the rights to use, copy, merge, publish, distribute, and/or sell copies of the Font Software, and to permit persons to whom the Font Software is furnished to do so, subject to the following conditions:

The above copyright and trademark notices and this permission notice shall be included in all copies of one or more of the Font Software typefaces.

The Font Software may be modified, altered, or added to, and in particular the designs of glyphs or characters in the Fonts may be modified and additional glyphs or characters may be added to the Fonts, only if the fonts are renamed to names not containing either the words "Bitstream" or the word "Vera".

This License becomes null and void to the extent applicable to Fonts or Font Software that has been modified and is distributed under the "Bitstream Vera" names.

The Font Software may be sold as part of a larger software package but no copy of one or more of the Font Software typefaces may be sold by itself.

THE FONT SOFTWARE IS PROVIDED "AS IS", WITHOUT WARRANTY OF ANY KIND, EXPRESS OR IMPLIED, INCLUDING BUT NOT LIMITED TO ANY WARRANTIES OF MERCHANTABILITY, FITNESS FOR A PARTICULAR PURPOSE AND NONINFRINGEMENT OF COPYRIGHT, PATENT, TRADEMARK, OR OTHER RIGHT. IN NO EVENT SHALL BITSTREAM OR THE GNOME FOUNDATION BE LIABLE FOR ANY CLAIM, DAMAGES OR OTHER LIABILITY, INCLUDING ANY GENERAL, SPECIAL, INDIRECT, INCIDENTAL, OR CONSEQUENTIAL DAMAGES, WHETHER IN AN ACTION OF CONTRACT, TORT OR OTHERWISE, ARISING FROM, OUT OF THE USE OR INABILITY TO USE THE FONT SOFTWARE OR FROM OTHER DEALINGS IN THE FONT SOFTWARE.

Except as contained in this notice, the names of Gnome, the Gnome Foundation, and Bitstream Inc., shall not be used in advertising or otherwise to promote the sale, use or other dealings in this Font Software without prior written authorization from the Gnome Foundation or Bitstream Inc., respectively. For further information, contact: fonts at gnome dot org.

Arev Fonts Copyright

Copyright (c) 2006 by Tavmjong Bah. All Rights Reserved.

Permission is hereby granted, free of charge, to any person obtaining a copy of the fonts accompanying this license ("Fonts") and associated documentation files (the "Font Software"), to reproduce and distribute the modifications to the Bitstream Vera Font Software, including without limitation the rights to use, copy, merge, publish, distribute, and/or sell copies of the Font Software, and to permit persons to whom the Font Software is furnished to do so, subject to the following conditions:
is furnished to do so, subject to the following conditions:

The above copyright and trademark notices and this permission notice shall be included in all copies of one or more of the Font Software typefaces.

The Font Software may be modified, altered, or added to, and in particular the designs of glyphs or characters in the Fonts may be modified and additional glyphs or characters may be added to the Fonts, only if the fonts are renamed to names not containing either the words "Tavmjong Bah" or the word "Arev".

This License becomes null and void to the extent applicable to Fonts or Font Software that has been modified and is distributed under the "Tavmjong Bah Arev" names.

The Font Software may be sold as part of a larger software package but no copy of one or more of the Font Software typefaces may be sold by itself.

THE FONT SOFTWARE IS PROVIDED "AS IS", WITHOUT WARRANTY OF ANY KIND, EXPRESS OR IMPLIED, INCLUDING BUT NOT LIMITED TO ANY WARRANTIES OF MERCHANTABILITY, FITNESS FOR A PARTICULAR PURPOSE AND NONINFRINGEMENT OF COPYRIGHT, PATENT, TRADEMARK, OR OTHER RIGHT. IN NO EVENT SHALL TAVMJONG BAH BE LIABLE FOR ANY CLAIM, DAMAGES OR OTHER LIABILITY, INCLUDING ANY GENERAL, SPECIAL, INDIRECT, INCIDENTAL, OR CONSEQUENTIAL DAMAGES, WHETHER IN AN ACTION OF CONTRACT, TORT OR OTHERWISE, ARISING FROM, OUT OF THE USE OR INABILITY TO USE THE FONT SOFTWARE OR FROM OTHER DEALINGS IN THE FONT SOFTWARE.

Except as contained in this notice, the name of Tavmjong Bah shall not be used in advertising or otherwise to promote the sale, use or other dealings in this Font Software without prior written authorization from Tavmjong Bah. For further information, contact: tavmjong @ free. fr.

Chapter 1: Introduction to the ViP system	4
What is the ViP system?	4
Main features	4
General structure of a ViP system	4
Chapter 2: Description of products and accessories	5
Power supply unit art. 1441A	5
Power supply unit art. 1441	5
Power supply unit art. 1395	6
Switch art. 1440	6
Repeater art. 1447	7
POE power supply unit art. 1451	7
Planux bracket art. 6231	8
Planux monitor art. 6202	8
Maestro bracket art. 5931	9
Maestro monitor art. 5900	9
Easycom door-entry phone art. 6203	10
ViP Manager software art. 1449	10
Powercom module for audio/video unit art. 3331/0-1-2	10
Powercom call button module art. 3337/3-4-6	11
Backlit module with actuator relay art. 3327	11
Barcode Reader art. 1450	11
Digital call module art. 3370	12
Audio / video unit art. 4662C	12
Remote cameras module art. 1445	13
Chapter 3: System preparation and specifications	14
Connection distances	14
Connection distances from power supply unit art. 1395 to external unit art. 3331	14
Connection distances between external unit art. 3331 and Switch art. 1440	14
Connection distances between 2 Switches art. 1440	14
Connection distances from Switch art. 1440 / Repeater art. 1447 to door-entry phones / door entry monitors	15
Connection distances from Switch art. 1440 / Repeater art. 1447 to switchboard art. 1952	15
Expanding a system using repeater art. 1447	15
Guide to fitting a UTP / STP RJ45 Direct network cable	16
Chapter 4: Mounting external units and internal units	19
Mounting external unit art. 4662C	19
Mounting digital directory art. 3370	20
Mounting actuator module art. 3327	20
Mounting Planux monitor art. 6202 with flush-mounted box	21
Mounting Planux monitor art. 6202 with box art. 6120	22
Mounting Maestro monitor art. 5900	23
Mounting Easycom door-entry phone art. 6203	23
Chapter 5: Installation programming	24
Mac Address	24
ViP code	24
Reset procedure for external unit art. 4662C	24
Installing ViP Manager software art. 1449	25
Detection of connected devices	27
Key to connected devices	28
Programming the ViP code for external unit art. 4662C	28
Programming buttons on external unit art. 4662C	31
Manually programming buttons on external unit art. 4662C	34
Programming additional button module art. 3337	35
Programming the ViP code for Planux monitor art. 6202	39
Programming the ViP code for Easycom door-entry phone art. 6203	42
Planux monitor installer settings	47
Accessing the installer menu	47
Programming the ViP code for main Planux monitors	47
Programming the ViP code for secondary Planux monitors	48
Configuring 1 - 2 or Self-ignition buttons	48
Configuring key button	49
Configuring the Privacy / Doctor button	50
Configuring the intercom directory	50
Configuring the self-ignition directory	51
Set ringtone repetition	52
Set call times	53
Set automatic answer	53
Chapter 6: Connection diagrams	54
Connecting Powercom call button module art. 3337/3-4-6	54
VIP/001	54
Connecting digital call module art. 3370	55
VIP/002	55
Connecting backlit module with actuator relay art. 3327	56
VIP/003	56
Connecting remote cameras module art. 1445	57
VIP/004	57
Connecting repeater module art. 1447	58
VIP/005	58
Request to exit (RTE) button input variant	59
Planux ViP priority calls variant	59
VIP/RTE	59
VIP/FMP	59

Chapter 1: Introduction to the ViP system

What is the ViP system?

The ViP system is the new IP video entry phone system combining powerful performance with ease of installation. The ViP network, based on a connection via Ethernet cable, connects an infinite number of users in simultaneous conversations and with no distance restrictions. It integrates a video entry phone system, burglar alarm, video surveillance, home automation and access control functions into a single system.

The ViP System can be used to create either a dedicated, proprietary network or integrated into an existing LAN, creating a video entry phone system that runs in parallel with other existing systems.

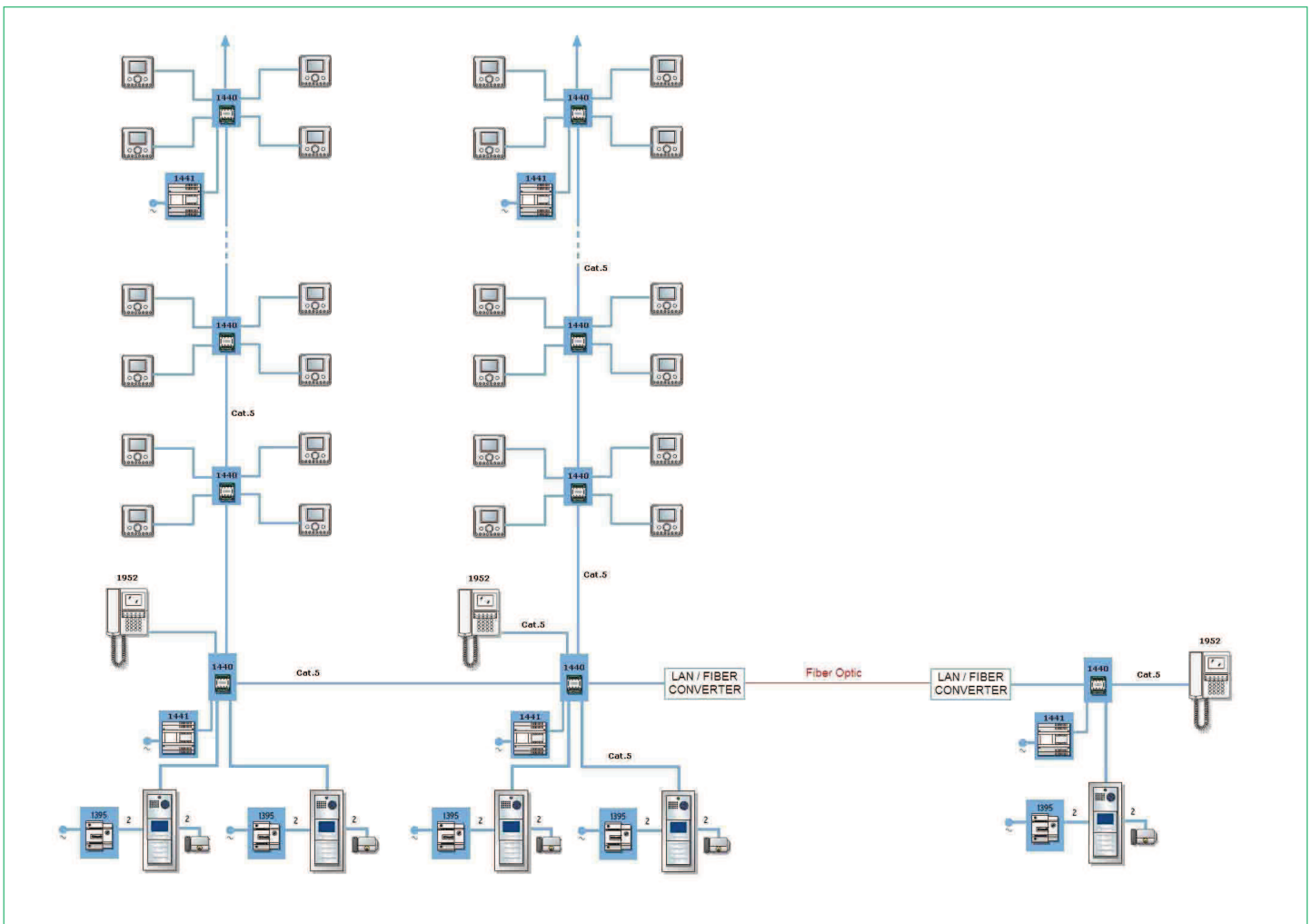
Main features

The ViP System delivers optimal performance across an intelligible infrastructure, untangling the communication, control, security, automation and monitoring apparatus needed for access and building control.

- Multiple simultaneous audio-video conversations
- An unlimited number of users and devices can be plugged into the network
- No limits on the number of connected entrance panels, internal units, switchboards and cameras
- All network devices are connected to the network via RJ45 plug
- Simultaneous communication capabilities between all network users
- Memovideo function installed as standard on all monitors
- Interface management for lifts and additional floors
- Integrated access control and video surveillance options
- Alarms or panic messages can be sent to porter switchboards
- Audio and text messages between users and switchboards
- "Follow me" and data transfer to external applications (PC or telephone)
- Remote home automation management

General structure of a ViP system

Below is a synoptic diagram providing a general illustration as to how a ViP system can be laid out.

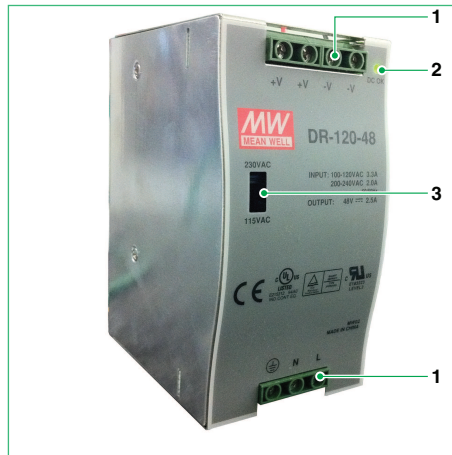


The optimal freedom offered by the ViP system means that networks can be created using cascade or branch connections, with no restrictions.

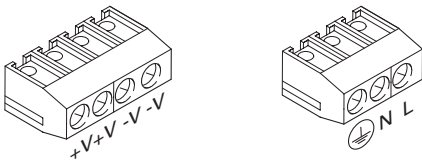
Chapter 2: Description of products and accessories

Power supply unit art. 1441A

Power supply unit art. 1441A, to power all accessories connected to the riser (not including external units).



1. Terminal blocks for connection.



+V -V -V: Riser power supply terminals.

L N: Alternating 230 Vac network terminals.

⊕: Earth connection terminal.

2. Power supply LED.

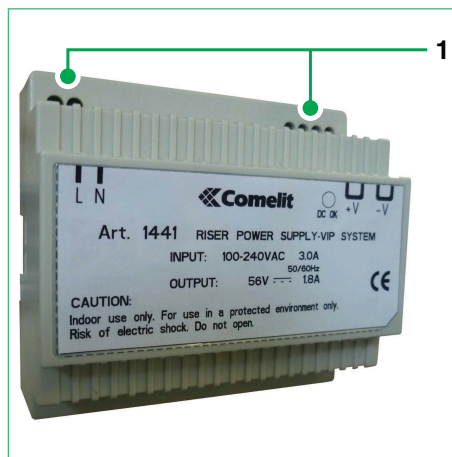
3. Voltage selector switch 115 VAC - 230 VAC.

Technical characteristics

Input voltage	100 - 240 V AC (3 A)
Output voltage	48 V DC (2.5 A)
Power	120 W
Frequency	50/60 Hz
Temperature thresholds	-30°C / +55°C
Dimensions	4 DIN modules / H: 12.5 cm W: 6.5 cm D: 10.7 cm

Power supply unit art. 1441

Power supply unit art. 1441, to power all accessories connected to the riser (not including external units).



1. Terminal blocks for connection:

+V -V: Riser power supply terminals.

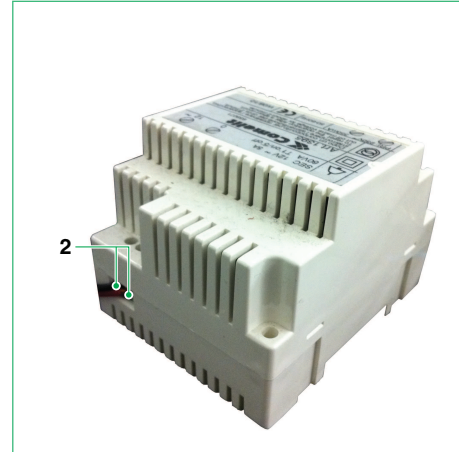
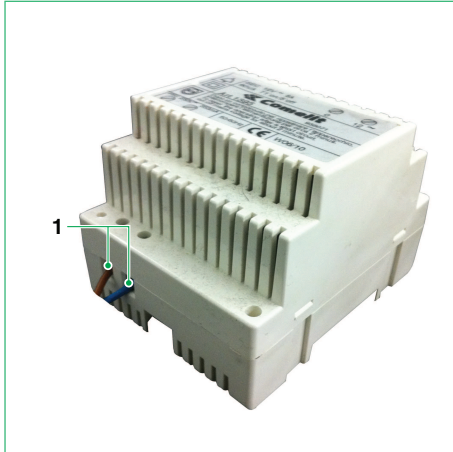
L N: Alternating 230 Vac network terminals.

Technical characteristics

Input voltage	100 - 240 V AC (3 A)
Output voltage	56 V DC (1.8 A)
Power	100 W
Frequency	50/60 Hz
Temperature thresholds	-30 +55
Dimensions	6 DIN modules / H: 9.3 cm W: 9.9 cm D: 5.3 cm

Power supply unit art. 1395

Power supply unit art. 1395, for powering external units.



1. 230 V ~: Alternating 230 Vac network terminals.
2. 0 12~: Power supply output terminals.

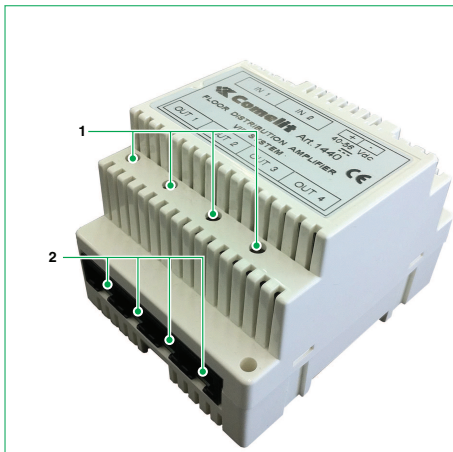
Technical characteristics	
Input voltage	207 - 257 V AC (3 A)
Output voltage	13.1 - 15.9 V DC (1.8 A)
Power	60 W
Frequency	50 Hz
Temperature thresholds	-20 / +40°C
Dimensions	4 DIN modules / H: 9 cm W: 7.15 cm D: 6.2 cm

Switch art. 1440

The Ethernet Switch module art. 1440 performs two main functions:

- Directing data ViP system data packages.
- Provide a power supply for the extensions connected to it and to any switch/repeaters connected in cascade.

Description



1. Port status indicator LED.
Lit steadily: port in standby.
Flashing: data passing through the port.
Off: port not connected.
2. 10 Mb extension Ethernet port.
Used for the connection of distributors, such as repeaters, switches, internal units etc...
3. External power supply terminals.
Connection of power supply unit art. 1441 or art. 1441A.
4. 100 Mb riser Ethernet ports.
Used for the connection of distributors, such as repeaters, switches, internal units etc...

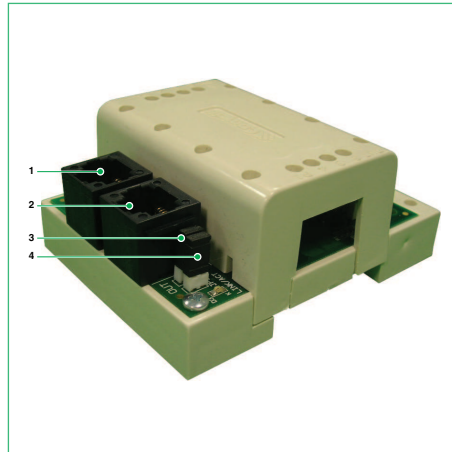
Technical characteristics	
Absorption	Min. 0.7 W Max. 2.6 W
Power supply	36/57 Vdc 3A Max.
Temperature thresholds	-30 / +55°C
Dimensions	4 DIN modules / H: 6.2 cm W: 7.2 cm D: 9 cm

N.B. For correct operation of the system protecting art. 1440, the riser must be connected with input on port IN1 and output on port IN2.

Repeater art. 1447

The repeater module art. 1447 is used to extend networks, making it possible to connect a ViP device at a greater distance than would be possible using a single section of point-to-point Ethernet and, if necessary, to connect two risers to each other:

Description



1. Ethernet In port.
2. Ethernet Out port.
3. JP1 Jumper: positive pole separation (+).
4. JP2 Jumper: negative pole separation (GND).

The two Ethernet ports are polarised as an IN input port and an OUT output port. In general, the repeater will receive power from the input port and supply power to the remote device (door-entry phone, switch, repeater) via the output port. This distinction was made to interrupt power supply propagation between the In port and the Out port by removing Jumpers JP1 and JP2, in order to separate - for example - the power supplies to two risers. The device even operates correctly if the output port is switched with the input port. In this case, however, it will no longer be possible to interrupt power supply propagation.

Technical characteristics	
Absorption	Min. 0.7 W Max. 2.6 W
Power supply	36/57 Vdc 3A Max.
Temperature thresholds	-30 / +55°C
Dimensions	4 DIN modules / H: 3.6 cm W: 6.5 cm D: 8.3 cm

POE power supply unit art. 1451

The power supply unit converts an Ethernet connection into a POE-type connection supplying an internal unit. The power supply unit is necessary if ViP devices (door entry monitors / door-entry phones) are installed on existing Ethernet networks with non-POE (Power Over Ethernet) connections.

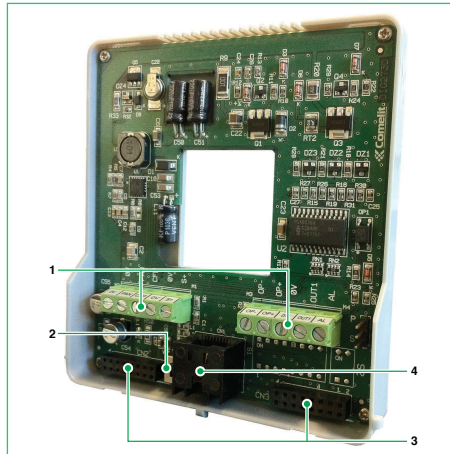
Description



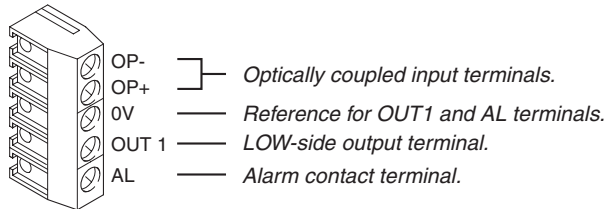
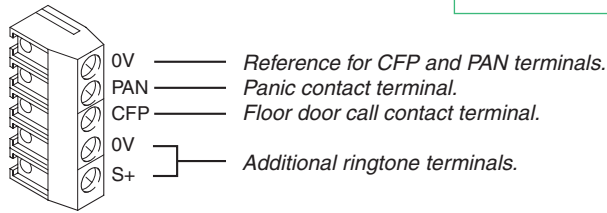
1. 230 V power supply socket.
2. Indicator LED:
 - a) Power supply enabled indication.
 - b) Error indication.
 - c) Ethernet cable connected to OUT port indication.
3. OUT Ethernet port (for the connection of Planux art. 6202, Maestro art. 5900 internal units).
4. IN Ethernet ports (for the connection of a non-POE Ethernet network).

Technical characteristics	
Input voltage	100 - 240 V AC (0.95 A)
Output voltage	56 V DC (0.35 A)
Power	33.6 W
Frequency	50 - 60 Hz
Temperature thresholds	-20 / +50°C
Dimensions	H: 3.7 cm W: 6.5 cm D: 16.4 cm

Planux bracket art. 6231.



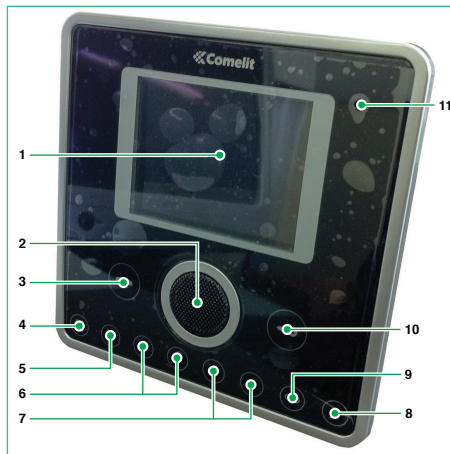
1. Terminal blocks for connection.



- 2. ViP - Standard POE power supply selector.
- 3. Monitor-bracket connectors.
- 3. RJ45 bracket-network connector.

Technical characteristics	
Absorption	Min. 0.7 W Max. 2.6 W (value for complete bracket + monitor product)
Power supply	36/57 Vdc 3A Max.

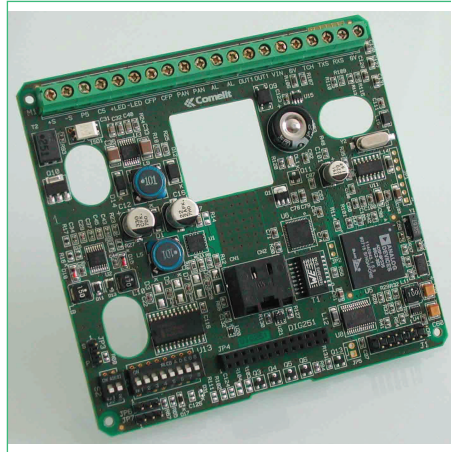
Planux monitor art. 6202



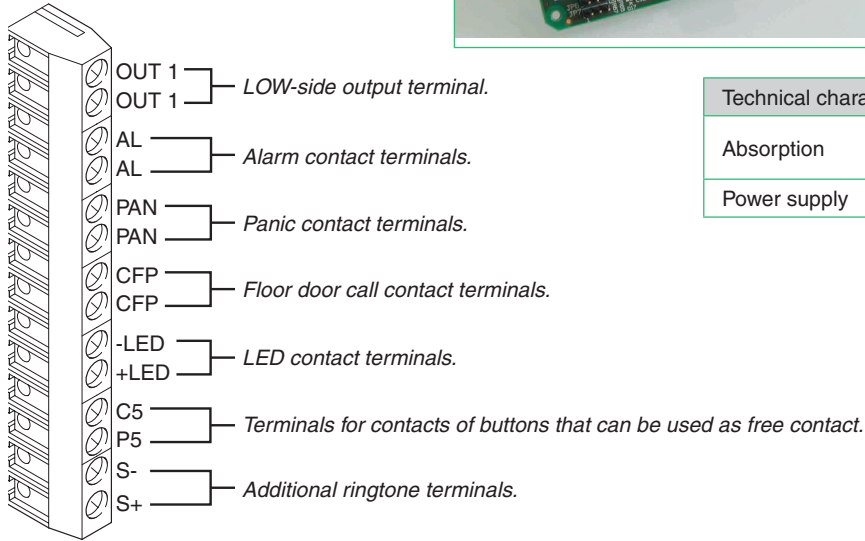
- 1. 3.5" colour LCD display.
- 2. Speaker.
- 3. Speech button.
- 4. Menu button.
- 5. Confirm button.
- 6. Navigation keypad.
- 7. Programmable buttons 1 and 2.
- 8. Privacy - Doctor / Programmable button.
- 9. Self-ignition / Programmable button.
- 10. Door lock / Programmable button.
- 11. Microphone.

Technical characteristics	
Absorption	Min. 0.7 W Max. 2.6 W (value for complete bracket + monitor product)
Power supply	36/57 Vdc 3A Max.
Dimensions	H: 6.2 cm W: 7.2 cm D: 9 cm

Maestro bracket art. 5931.



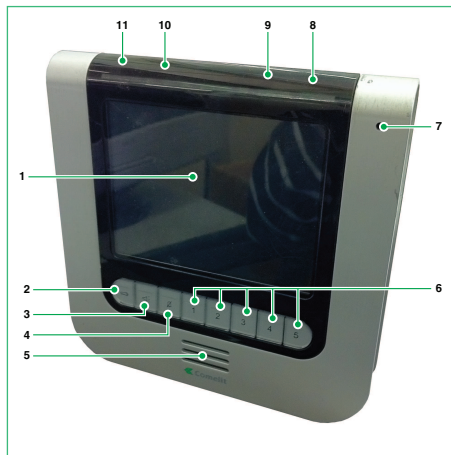
1. Terminal blocks for connection.



Technical characteristics	
Absorption	Min. 0.7 W Max. 2.6 W (value for complete bracket + monitor product)
Power supply	36/57 Vdc 3A Max.

- 2. Monitor-bracket connector.**
- 3. RJ45 bracket-network connector.**
- 4. ViP - Standard POE power supply selector.**

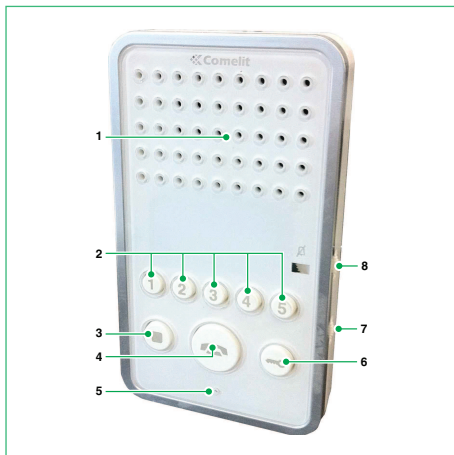
Maestro monitor art. 5900



- 1. 5.6" colour LCD display.**
- 2. Door lock / Programmable button.**
- 3. Speech button.**
- 4. Privacy - Doctor / Programmable button.**
- 5. Speaker.**
- 6. Programmable buttons 1 - 2 - 3 - 4 - 5.**
- 7. Microphone.**
- 8. Yellow LED.**
 - a) Flashes to indicate video message waiting / door open.
 - b) Remains steadily lit to indicate that the video memory function is enabled.
- 9. Blue LED, audio enabled.**
- 10. Green LED, absent message enabled.**
- 11. Red LED, Privacy function / Doctor function enabled.**

Technical characteristics	
Absorption	Min. 0.7 W Max. 2.6 W (value for complete bracket + monitor product)
Power supply	36/57 Vdc 3A Max.
Dimensions	H: 6.2 cm W: 7.2 cm D: 9 cm

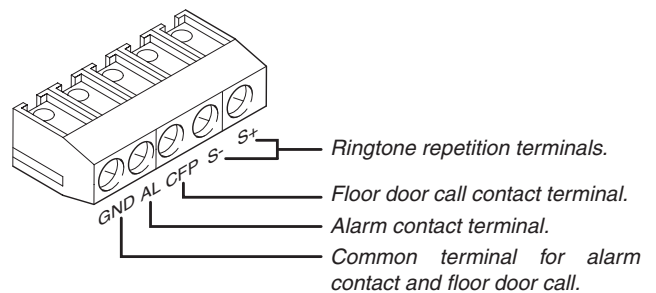
Easycom door-entry phone art. 6203



- 1. Speaker.
- 2. Programmable buttons.
- 3. Switchboard call button.
- 4. Speech button.
- 5. Microphone.
- 6. Door lock button.
- 7. Loudspeaker volume selector.
- 8. Ringtone volume selector.



- 9. ViP - Standard POE power supply selector.
- 10. RJ45 bracket-network connector.
- 11. Terminal block for connection.



Technical characteristics	
Absorption	Min. 0.7 W Max. 2.6 W (value for complete bracket + monitor product)
Power supply	36/57 Vdc 3A Max.
Dimensions	H: 16 cm W: 9.1 cm D: 2.7 cm

ViP Manager software art. 1449

CD-ROM software for PC installation, for the programming and configuration of all wired devices in the system. Also allows button programming and management of names in external unit directories. Includes a special cable for connection between switch 1440 and PC.



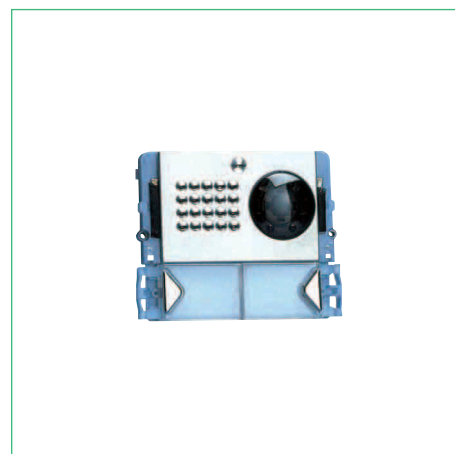
Warning

When connecting a PC to a ViP system, the special cable supplied with software art. 1449 must be used.



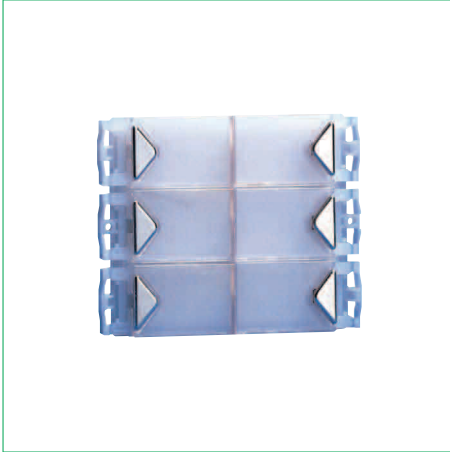
Powercom module for audio/video unit art. 3331/0-1-2

Module preset for audio/video speaker units. Requires audio/video unit art. 4662C to complete installation. Versions with 0, 1 and 2 buttons are available.



Powercom call button module art. 3337/3-4-6

Additional call button module. Versions with 3, 4 and 6 buttons are available.



Technical characteristics

Power supply	13 Vac
Temperature thresholds	-30 / +55°C
Dimensions	H: 8.9 cm W: 11.2 cm D: 4 cm

Backlit module with actuator relay art. 3327

Backlit module with LEDs for various indications and additional 10 A relay.



Technical characteristics

Power supply	13 Vac 3A
Temperature thresholds	-30 / +55°C
Dimensions	H: 8.9 cm W: 11.2 cm D: 4 cm

Barcode Reader art. 1450

Barcode reader for reading the unique code of the device to be programmed.

Description

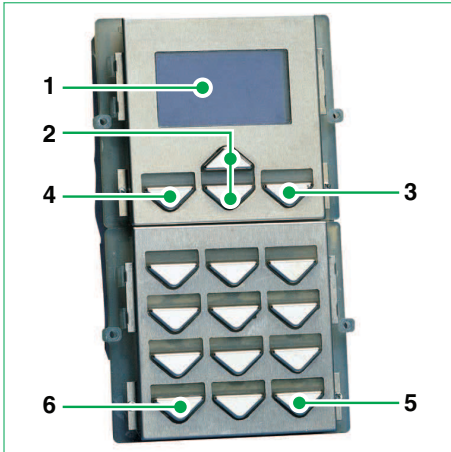


Technical characteristics

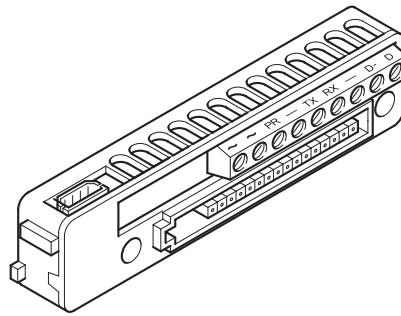
Power supply	USB
--------------	-----

Digital call module art. 3370

Digital call module complete with electronic directory with graphic LCD display. Also functions as a coded electronic key module. Names can be scrolled using the two search buttons or by entering the initial letter of the required name. Once the right name has been found, press the call button. The user code can also be entered to make a direct call.



- 1. Graphic LCD display.
- 2. Search buttons.
- 3. Call / select menu button.
- 4. Search name / Exit menu button.
- 5. Call / local door-opener button.
- 6. Delete character / Pause call button.



- ~ ~: Power supply terminals.
- PR -: Programming terminals.
- TX RX: RS232 line terminals (not used).
- : RS232 line negative terminal (not used).
- D- D: RS485 data line.

N.B. Up to this point, the functions linked to the RS485 line have not been implemented.

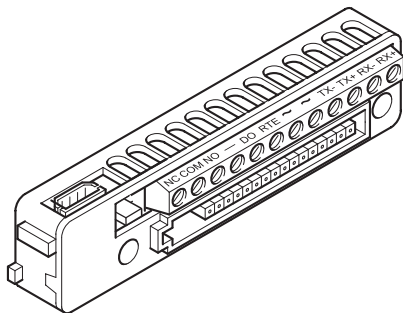
Technical characteristics	
Power supply	13 Vac
Temperature thresholds	-30 / +55°C
Dimensions	H: 18 cm W: 11.2 cm D: 4 cm

Audio / video unit art. 4662C

ViP system audio-video unit with terminal block, complete with spherical lens adjustable colour camera.



- 1. Terminal block for connection.



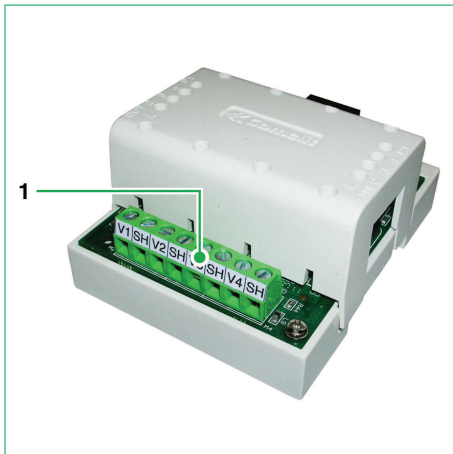
- NC / NO: Door lock connection terminals.
- COM: Common terminal.
- DO: Door Open terminal.
- RTE / -: Timed relay control terminals.
- ~ ~: Power supply terminals.
- TX- / TX+: Ethernet transmission line terminals.
- RX- / RX+: Ethernet reception line terminals.

Technical characteristics	
Power supply	13 Vac
Temperature thresholds	-30 / +55°C
Dimensions	H: 10.2 cm W: 5.5 cm D: 3.5 cm

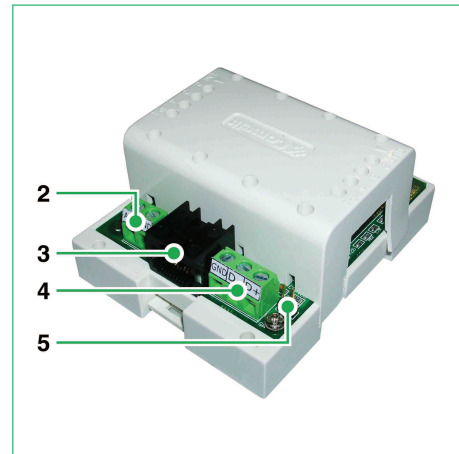
Remote cameras module art. 1445

The remote cameras module art. 1440 transmits the video signals received from 4 cameras.

Description



1



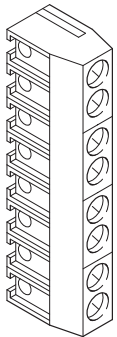
2

3

4

5

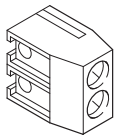
1. Video signal from cameras input terminals.



- V1 — Input terminal for composite video signal from camera 1
- SH — Camera 1 shield terminal
- V2 — Input terminal for composite video signal from camera 2
- SH — Camera 2 shield terminal
- V3 — Input terminal for composite video signal from camera 3
- SH — Camera 3 shield terminal
- V4 — Input terminal for composite video signal from camera 4
- SH — Camera 4 shield terminal

2. Secondary power supply terminals.

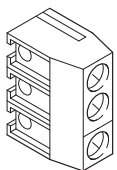
To be used if the POE network power supply is insufficient.



- AUX — 12 - 24 V DC power supply terminal
- GND — Earth terminal

3. Network connection Ethernet port.

4. RS485 line terminals.



- GND — Earth terminal
- D- — RS485 data line
- D+ — RS485 data line

5. RS485 line closure jumper.

N.B. Up to this point, the functions linked to the RS485 line have not been implemented.








Technical characteristics	
Absorption	Min. 0.7 W Max. 2.6 W
Power supply	36/57 Vdc 3A Max.
Temperature thresholds	-30 / +55°C
Dimensions	4 DIN modules / H: 3.6 cm W: 6.5 cm D: 8.3 cm

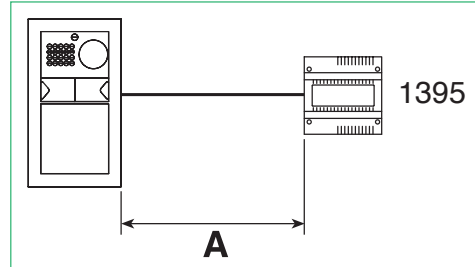
For wiring, see diagram VIP/004

Chapter 3: System preparation and specifications

Connection distances

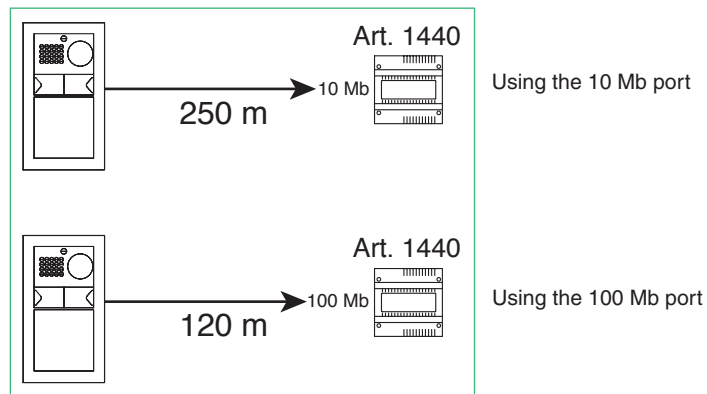
Connection distances from power supply unit art. 1395 to external unit art. 3331

		A Max.
0.5 mm ² (Ø 0.8 mm - AWG 20)		10 m
0.5 mm ² (Ø 0.8 mm - AWG 20)	Comelit art. 4576-4578 	10 m
1 mm ² (Ø 1.2 mm - AWG 17)		25 m
1 mm ² (Ø 1.2 mm - AWG 17)	Comelit art. 4577 	25 m
1 mm ² (Ø 1.2 mm - AWG 17)		25 m
1.5 mm ² (Ø 1.4 mm - AWG 15)		40 m
2.5 mm ² (Ø 1.8 mm - AWG 13)		60 m



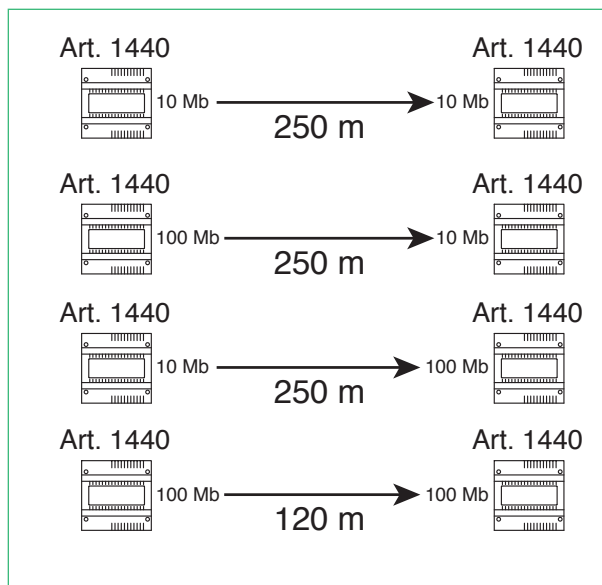
Connection distances between external unit art. 3331 and Switch art. 1440

The connection distance varies depending on the port used on Switch art. 1440.

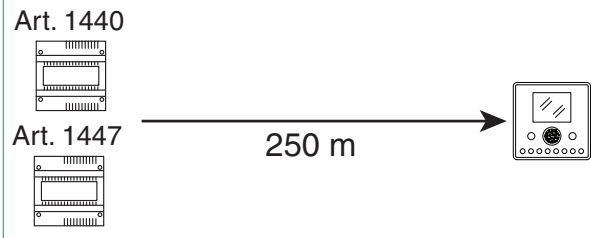


Connection distances between 2 Switches art. 1440

The connection distance varies depending on the ports used on Switches art. 1440.

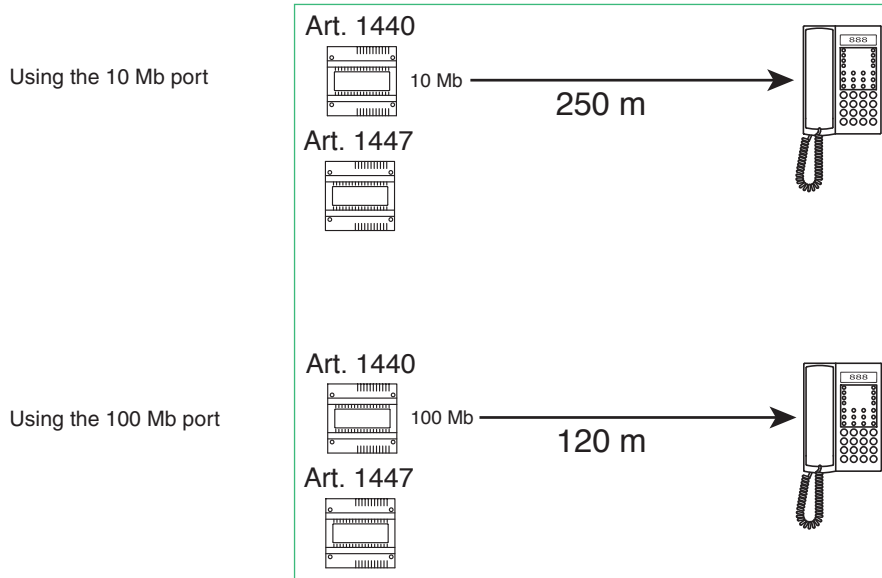


Connection distances from Switch art. 1440 / Repeater art. 1447 to door-entry phones / door entry monitors



Connection distances from Switch art. 1440 / Repeater art. 1447 to switchboard art. 1952

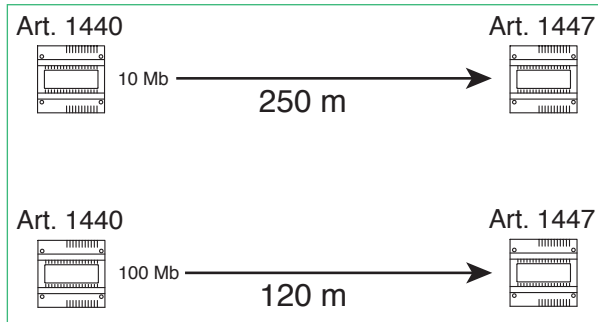
The connection distance varies depending on the port used on Switch art. 1440.



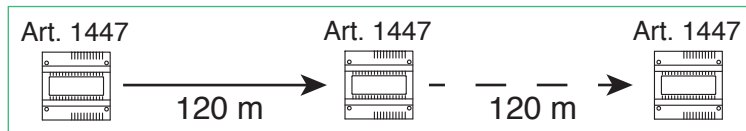
Expanding a system using repeater art. 1447

Repeaters art. 1447 can be connected in series to increase the connection distance between two Switches art. 1440 (Max. 8).

The connection distance between a Switch and a Repeater varies depending on the port used on Switch art. 1440.



The connection distance between 2 Repeaters is always 120 m.



See diagram VIP/005.

Guide to fitting a UTP / STP RJ45 Direct network cable

The recommended cables are:

- **UTP (Unshielded Twisted Pair):**
not protected from electromagnetic interference, maximum length 100 metres.
We recommend the use of a Panduit cable code NUL5C04BU-CE.
- **STP (Shielded Twisted Pair):**
similar to the UTP but with a metal sheath.

The UTP and STP can fall into various categories. **Category 5 (CAT 5) cables or greater must be used for the ViP system.**

The tools required for fitting are as follows:

- **Crimping pliers 6-P 8-P.**
We recommend using 8-pole Panduit pliers code MPT5-8A.

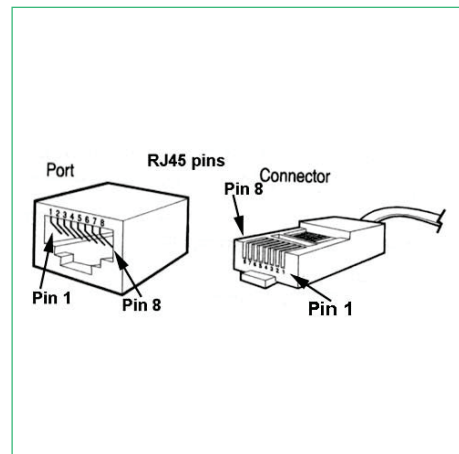


- **2 RJ45 connectors for each section of cable.**
We recommend using Panduit connectors code MP588-L.



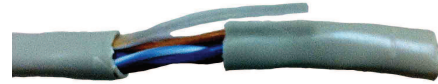
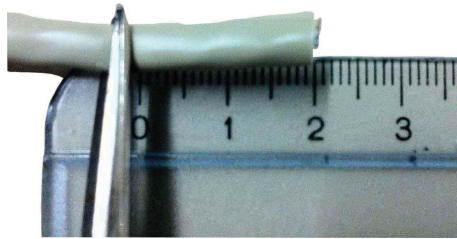
- Tester for RJ45 cables.

⚠ The tester must only be used while the system is off

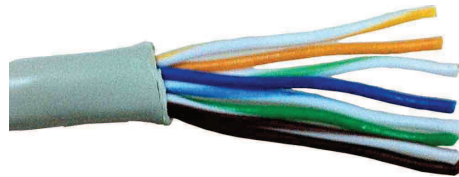


Fitting procedure

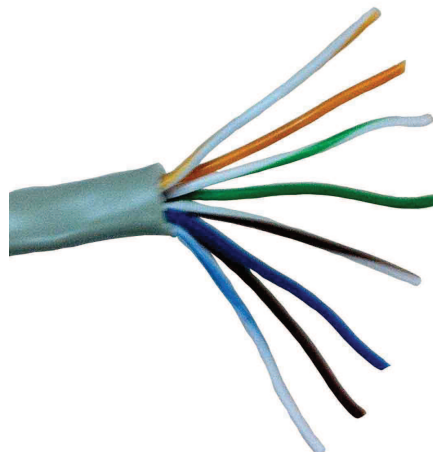
- Most crimping pliers have two pairs of blades, one pair on one side to strip the wires and another pair on the other side to cut the wires. If the pliers do not allow you to cut the cable sheath, you should use a blade and cut the sheath with it, removing a length of about three centimetres. Be especially careful not to cut or scratch the wires inside the sheath; once cut, most sheaths break if they are folded or pulled.



- When you have removed the sheath, you will have four pairs of wires, twisted together two by two and of different colours. Untwist the wire pairs so you have 8 separate wires, but make sure you mark them if they are not of different colours (in some cables, the white/colour wires are completely white).

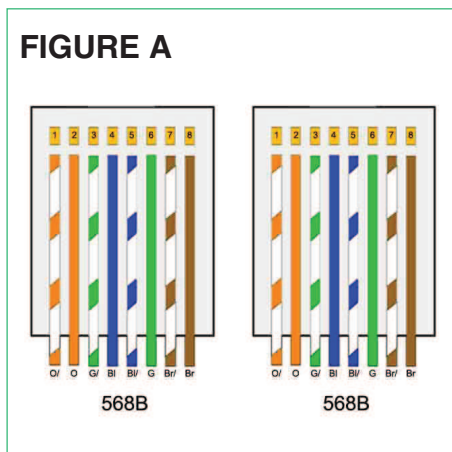


- Spread the wires out into a fan, in the order in which you need to crimp them from left to right. The cable configuration is illustrated in Table 1 and Figure A.

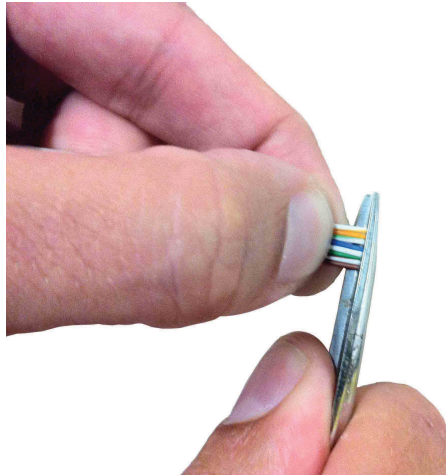


Connector 1	Connector 2
White / Orange	White / Orange
Orange	Orange
White / Green	White / Green
Blue	Blue
White / Blue	White / Blue
Green	Green
White / Brown	White / Brown
Brown	Brown

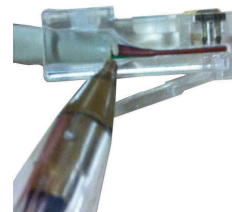
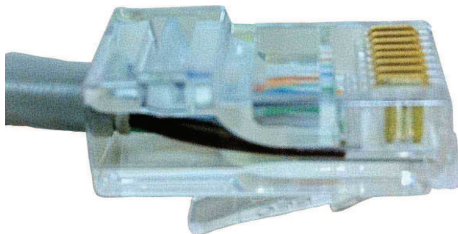
N.B.: if the cable colours are different, simply maintain the correct correspondences



4. Hold the wires tightly between two fingers and flatten them so that they are side by side, then straighten them by pulling them taut with your fingers to remove slight curves caused by the previous twisting. Make sure they stay in the correct order.
5. Continuing to hold them taut, trim the excess by 2 centimetres, so that they are all the same length.



6. Insert the wires into the RJ45 connector, still holding them tightly between your fingers. The connector tab should be facing downwards and not visible. The insulating sheath should just reach the edge of the connector.

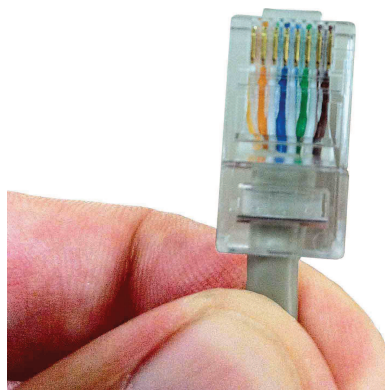


7. Make sure the wires are fully inserted by inspecting the side of the transparent connector. Next, insert the connector into the crimping pliers and, using both hands, crimp the connector so as to secure the wires. The pliers should not open if they did not close fully.



8. Now repeat steps 1 to 7 above, to crimp the cable on the other side.

Complete connector example



Chapter 4: Mounting external units and internal units

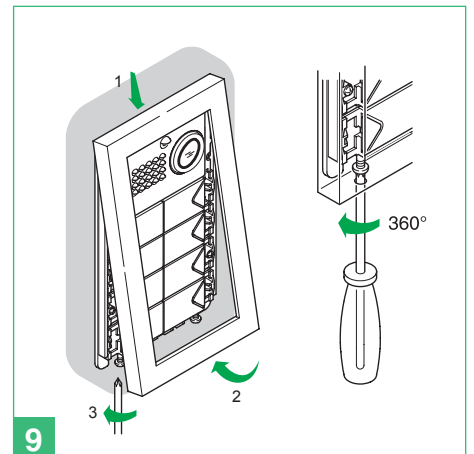
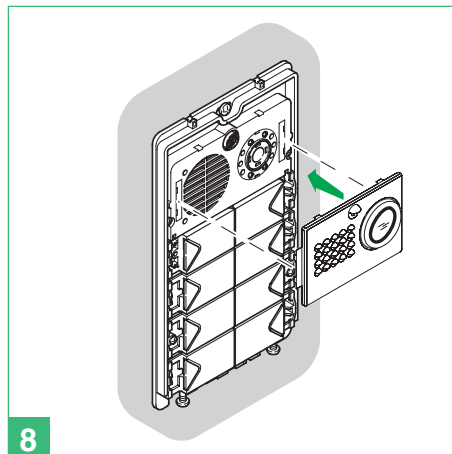
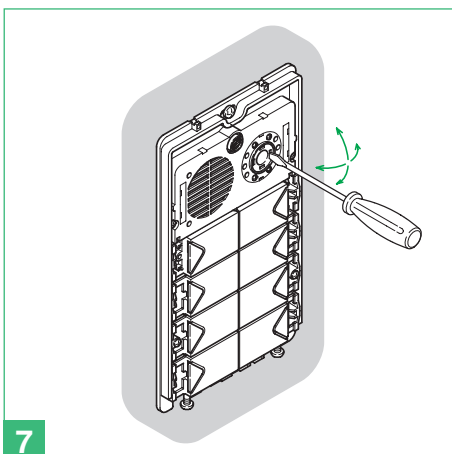
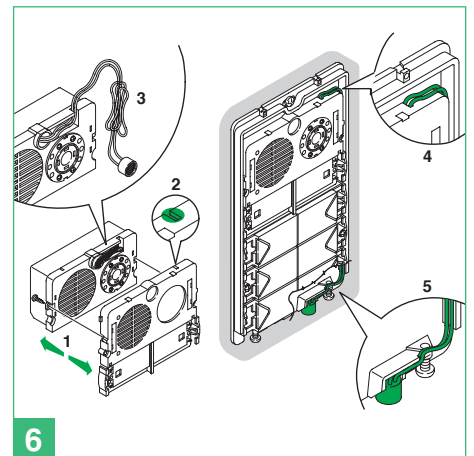
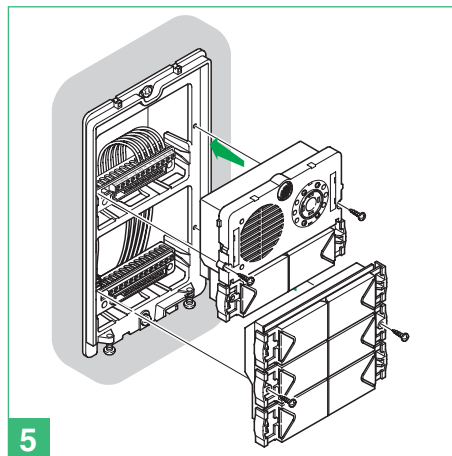
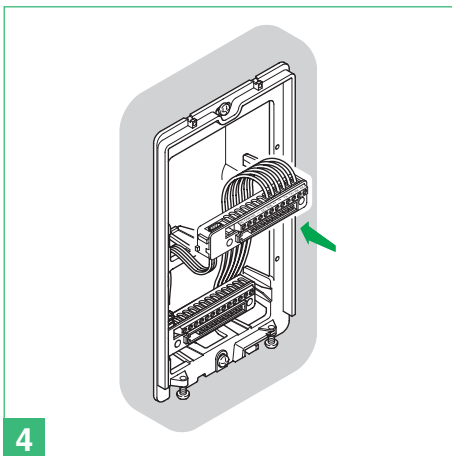
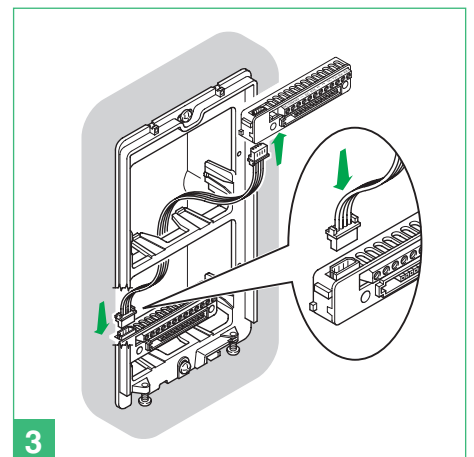
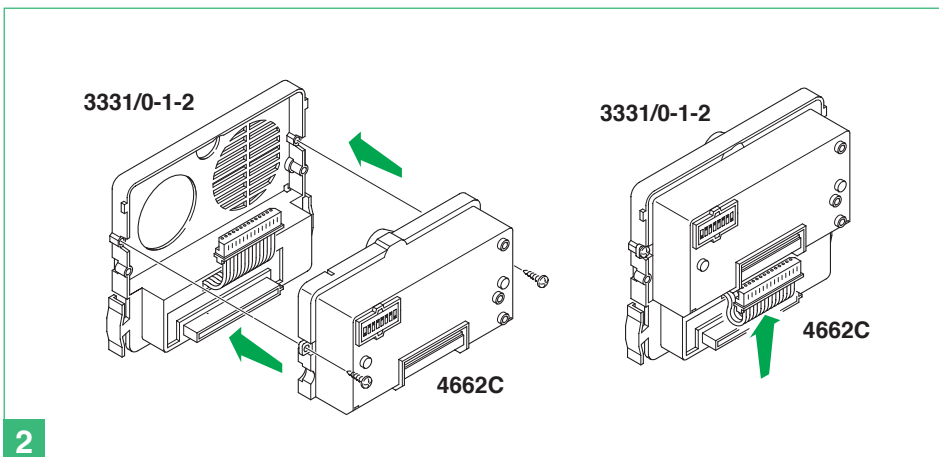
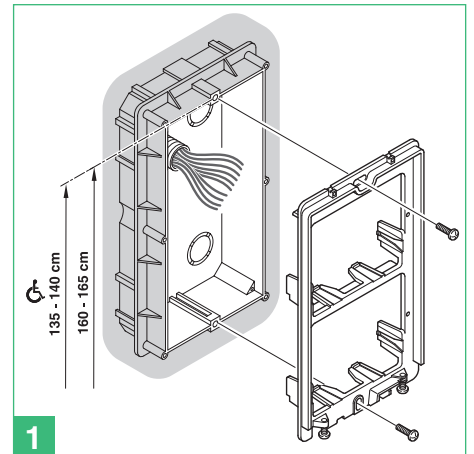
Mounting external unit art. 4662C

During the installation of various products, we recommend a document is compiled to keep track of the location of the device within the system. An example of how to compile such a document is provided below:

Mac Address	ViP Address	Description
00252900082B	00002001	South gate external unit
00252900086C	00002002	North gate external unit
00252900023R	00000139	Apartment 1 internal unit
00252900052A	00000127	Smith apartment internal unit

The Mac address for the product is indicated by a label on the packaging box and another label applied directly to the product itself.

For all products, the ViP address is programmed using ViP Manager software art. 1449, with the exception of monitors art. 6202 and art. 5900, which can be used to set the ViP address, even locally.



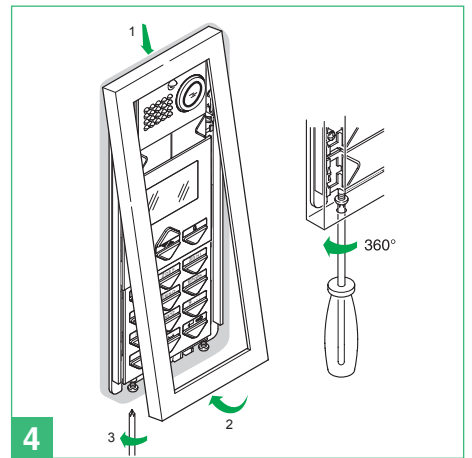
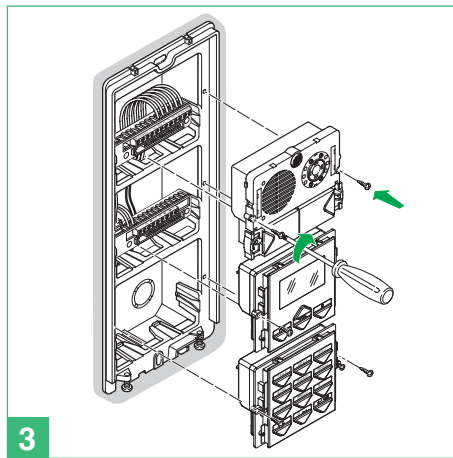
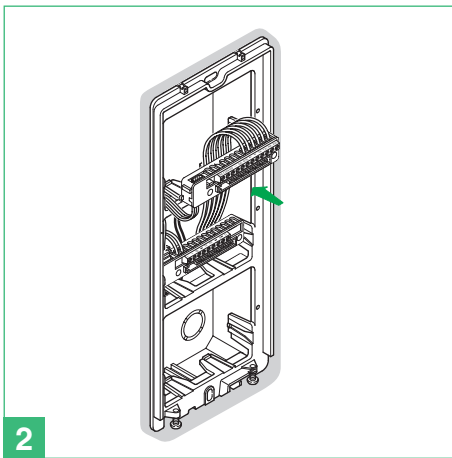
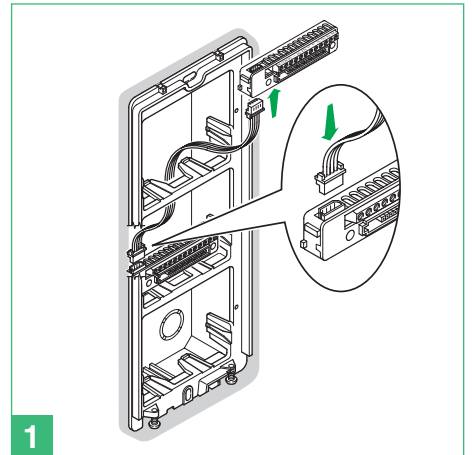
Mounting digital directory art. 3370

During the installation of various products, we recommend a document is compiled to keep track of the location of the device within the system. An example of how to compile such a document is provided below:

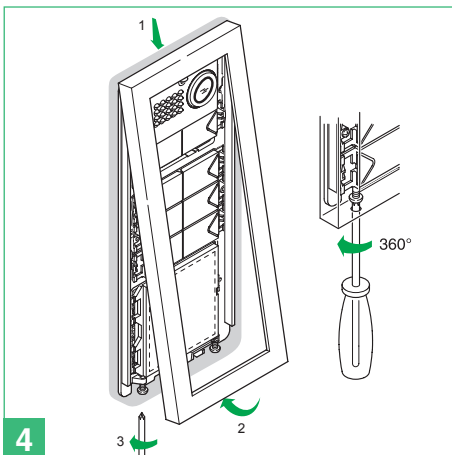
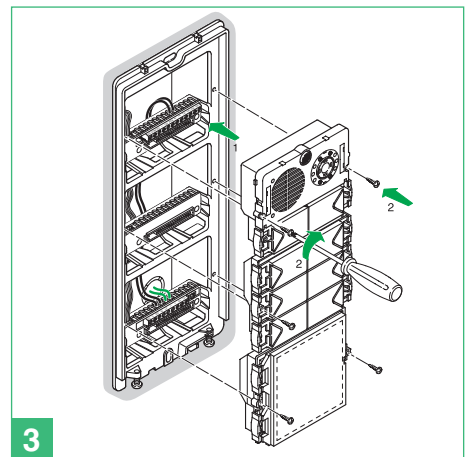
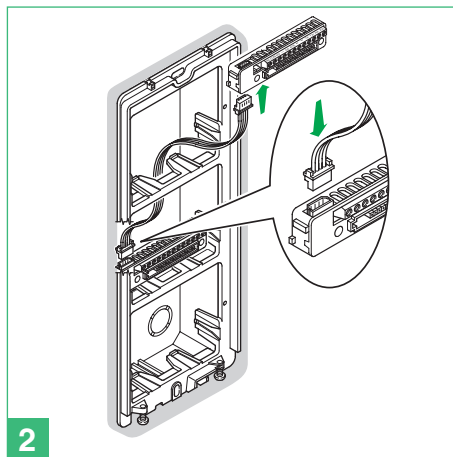
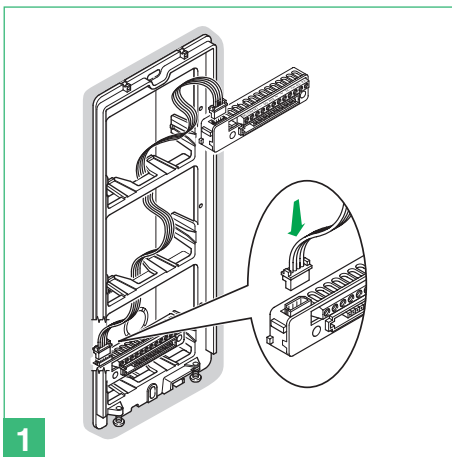
Mac Address	ViP Address	Description
00252900082B	00002001	South gate external unit
00252900086C	00002002	North gate external unit
00252900023R	00000139	Apartment 1 internal unit
00252900052A	00000127	Smith apartment internal unit

The Mac address for the product is indicated by a label on the packaging box and another label applied directly to the product itself.

For all products, the ViP address is programmed using ViP Manager software art. 1449, with the exception of monitors art. 6202 and art. 5900, which can be used to set the ViP address, even locally.



Mounting actuator module art. 3327



Mounting Planux monitor art. 6202 with flush-mounted box

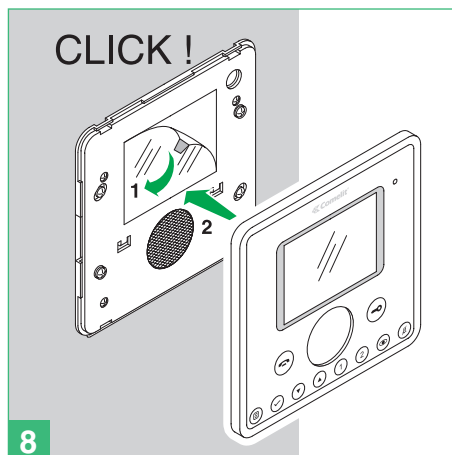
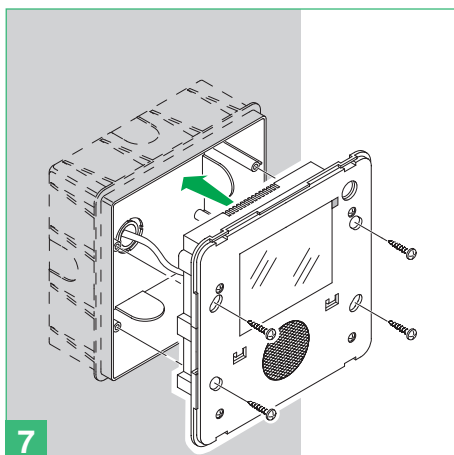
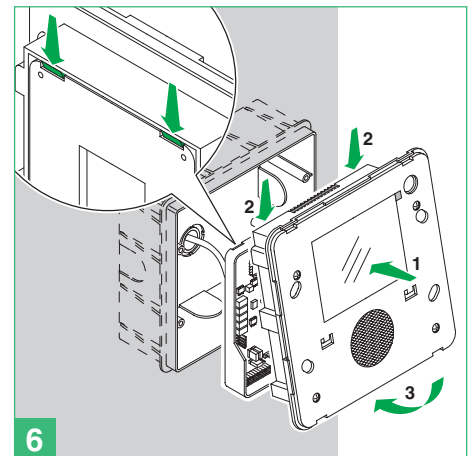
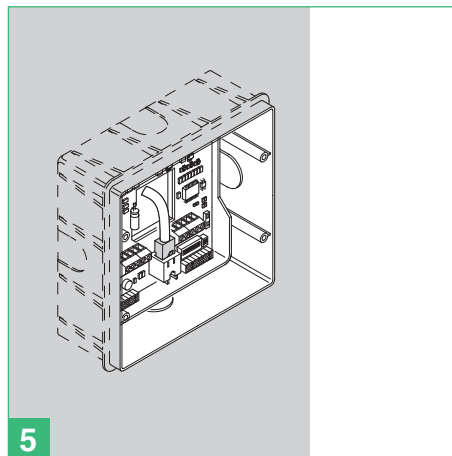
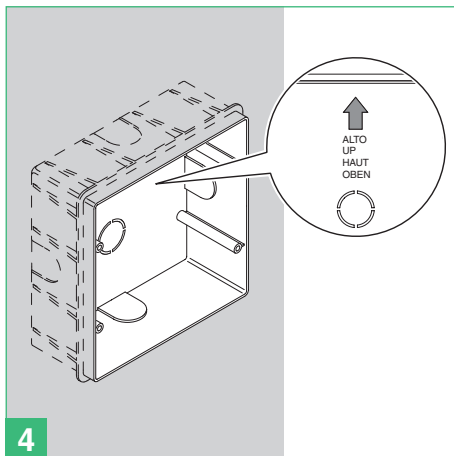
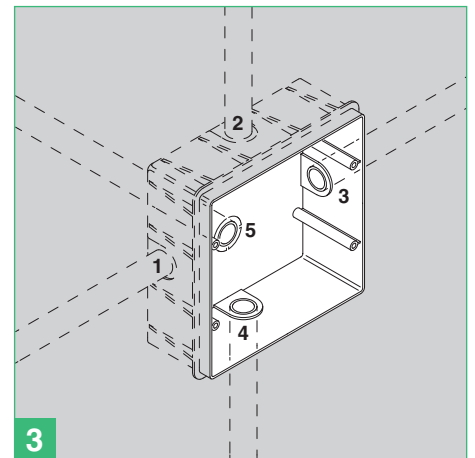
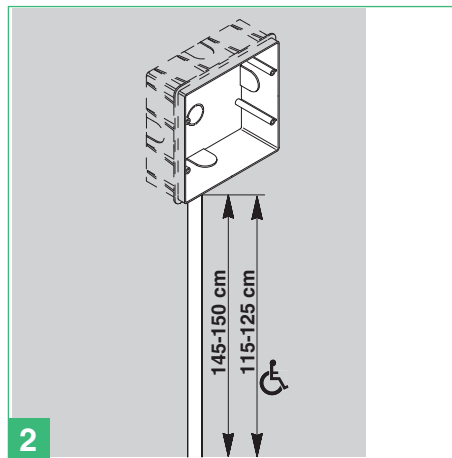
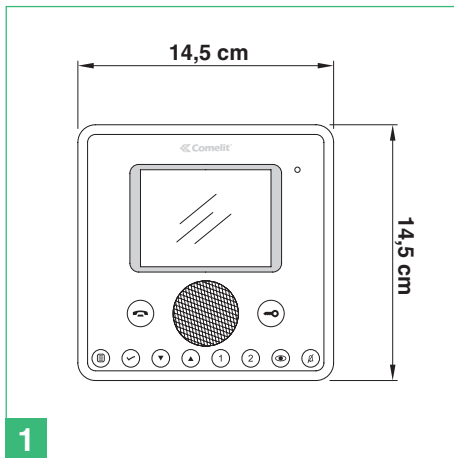
During the installation of various products, we recommend a document is compiled to keep track of the location of the device within the system.

An example of how to compile such a document is provided below:

Mac Address	ViP Address	Description
00252900082B	00002001	South gate external unit
00252900086C	00002002	North gate external unit
00252900023R	00000139	Apartment 1 internal unit
00252900052A	00000127	Smith apartment internal unit

The Mac address for the product is indicated by a label on the packaging box and another label applied directly to the product itself.

For all products, the ViP address is programmed using ViP Manager software art. 1449, with the exception of monitors art. 6202 and art. 5900, which can be used to set the ViP address, even locally.



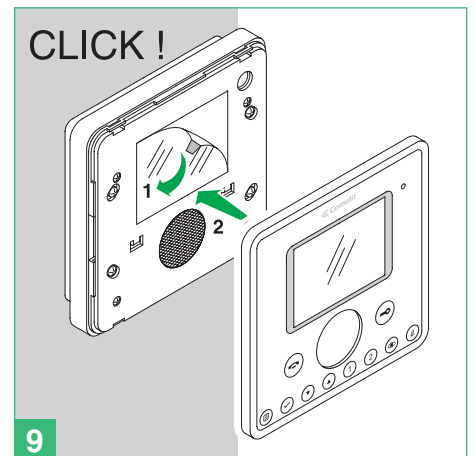
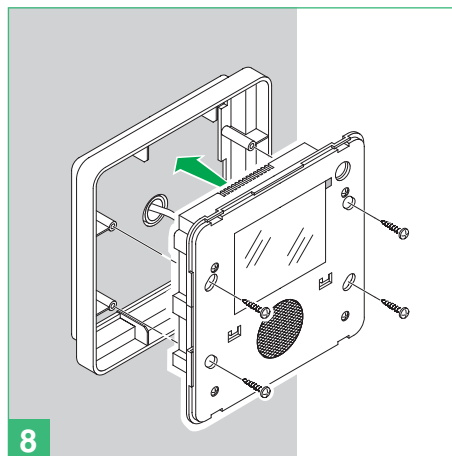
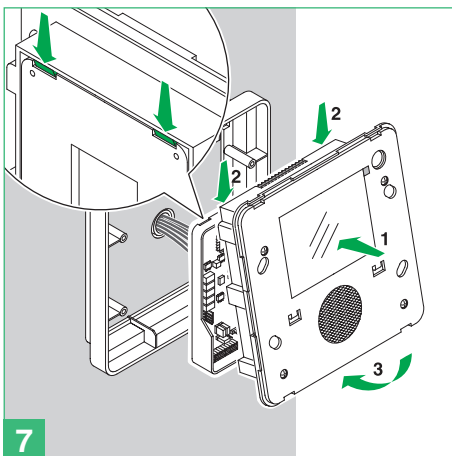
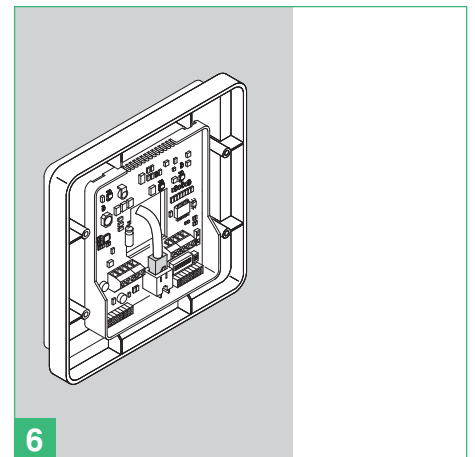
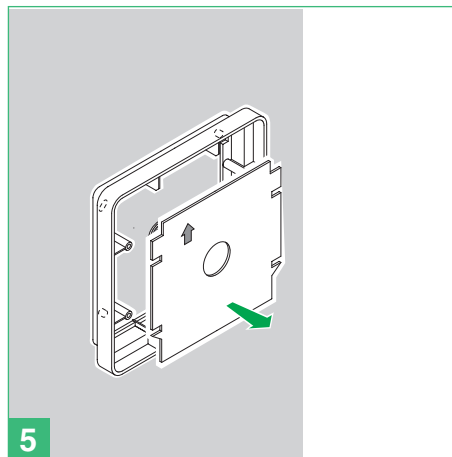
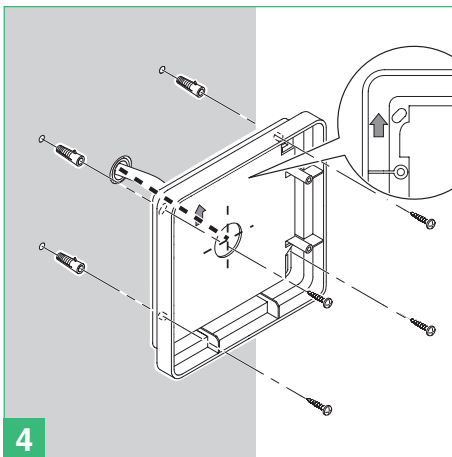
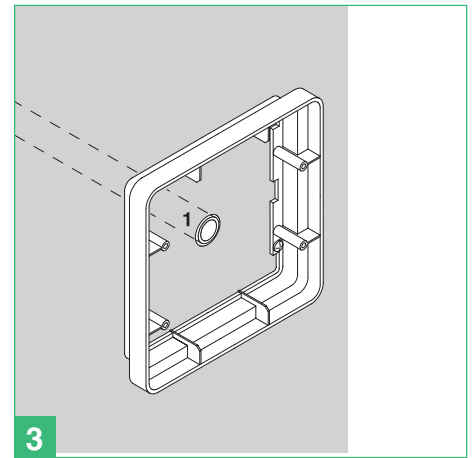
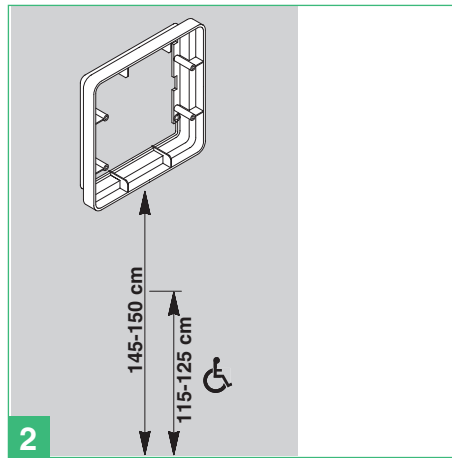
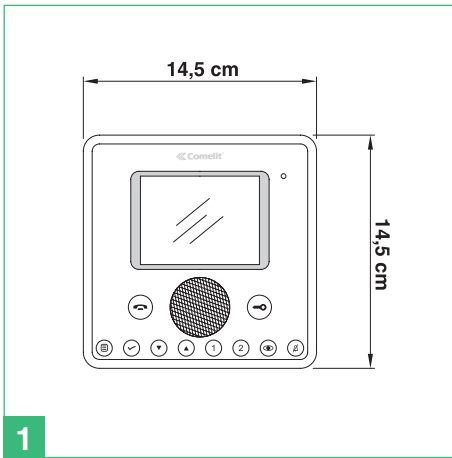
Mounting Planux monitor art. 6202 with box art. 6120

During the installation of various products, we recommend a document is compiled to keep track of the location of the device within the system. An example of how to compile such a document is provided below:

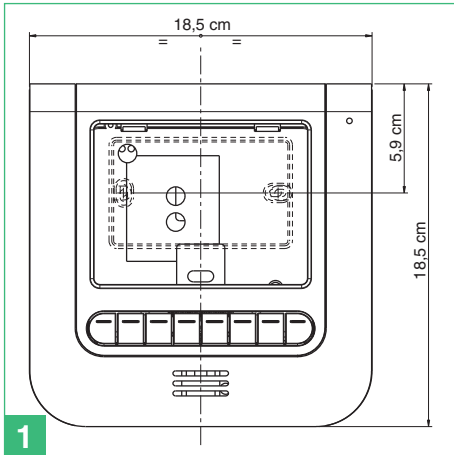
Mac Address	ViP Address	Description
00252900082B	00002001	South gate external unit
00252900086C	00002002	North gate external unit
00252900023R	00000139	Apartment 1 internal unit
00252900052A	00000127	Smith apartment internal unit

The Mac address for the product is indicated by a label on the packaging box and another label applied directly to the product itself.

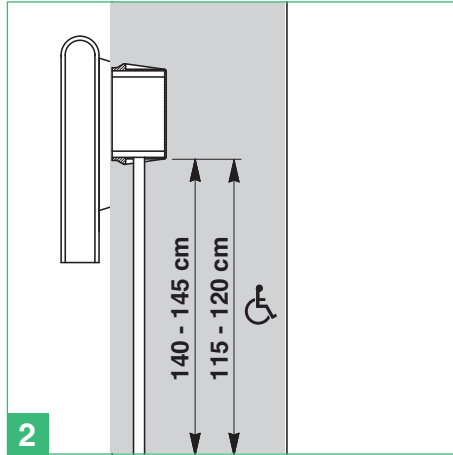
For all products, the ViP address is programmed using ViP Manager software art. 1449, with the exception of monitors art. 6202 and art. 5900, which can be used to set the ViP address, even locally.



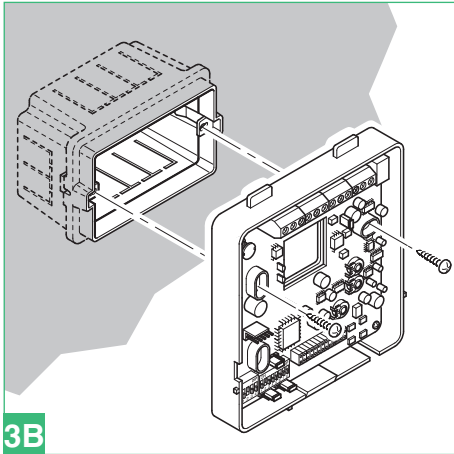
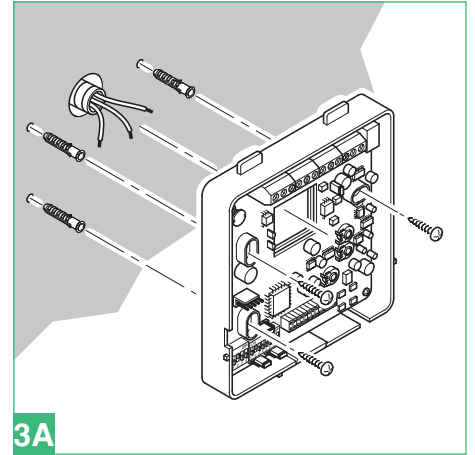
Mounting Maestro monitor art. 5900



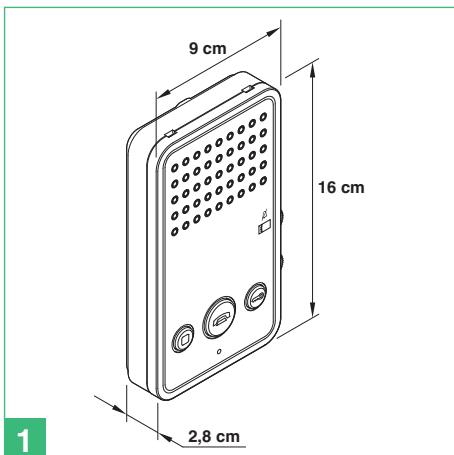
1



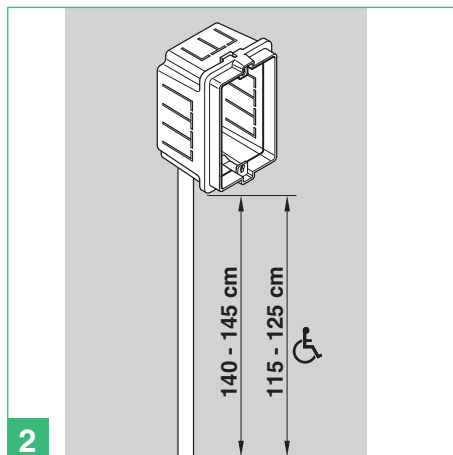
2



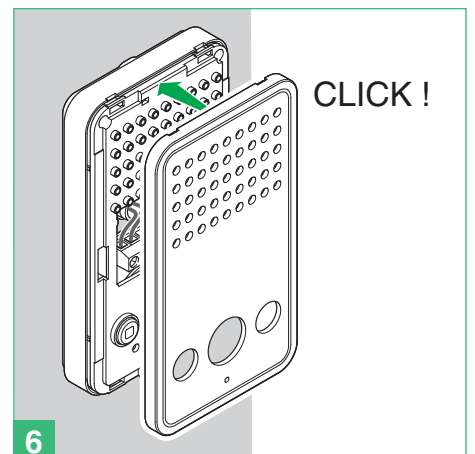
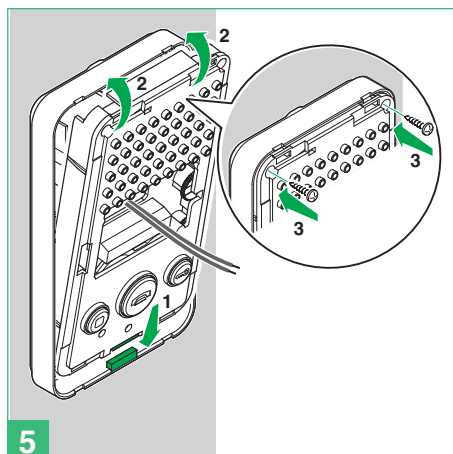
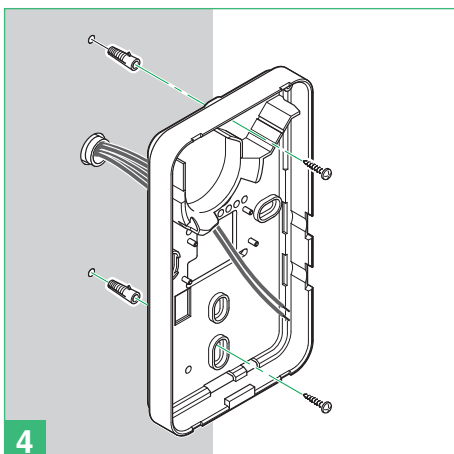
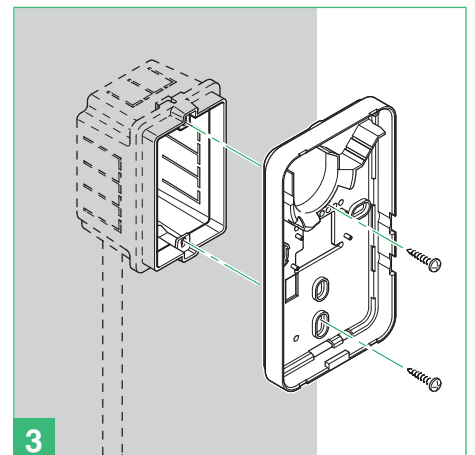
Mounting Easycom door-entry phone art. 6203



1



2



Chapter 5: Installation programming

Mac Address

Every ViP product is identified by the factory with a unique code called the Mac address. The Mac address for the product is indicated by a label on the packaging box and another label applied directly to the product itself.

ViP code

Each system device must be programmed with a different code, called the ViP address. The ViP address is an 8-digit code identifying each extension and can be entered as desired, without following any pre-set sequence. However, we recommend using a logic diagram to keep track of the addresses entered.

A logic diagram (optional) for entering the ViP address is provided below.

Example: Building/staircase/floor/apartment

- 01041156
- 00021022
- 01001223
- 01030009
- 00000012

During the installation of various products, we recommend a document is compiled to keep track of the location of the device within the system.

An example of how to compile such a document is provided below:

Mac Address	ViP Address *	Description
00252900082B	00002001	South gate external unit
00252900086C	00002002	North gate external unit
00252900023R	00000139	Apartment 1 internal unit
00252900052A	00000127	Smith apartment internal unit

* For all products, the ViP address is programmed using ViP Manager software art. 1449, with the exception of monitors art. 6202 and art. 5900, which can be used to set the ViP address, even locally.

Reset procedure for external unit art. 4662C

1. Cut off the power supply to the external unit art. 4662C;
2. enable programming mode by moving the relevant slider;
3. set the dip switch activation code: dip switches 1-2-3 to ON, the other dip switches to OFF;
4. restore the power supply to external unit art. 4662C;
5. the external unit will now beep twice to request the confirmation code;
6. set the dip switch confirmation code: dip switches 1-2-3 to OFF, the other dip switches to ON (i.e. the opposite of the activation code);
7. exit programming mode by moving the relevant slider;
8. external unit art. 4662C will now beep for 2-3 seconds to indicate that the configuration has been reset;
9. when the beep has ended, external unit art. 4662C will start up with its factory set configuration values.

Installing ViP Manager software art. 1449

In order to program the ViP system and all its extensions, ViP Manager software art. 1449 must be installed.

Required material:

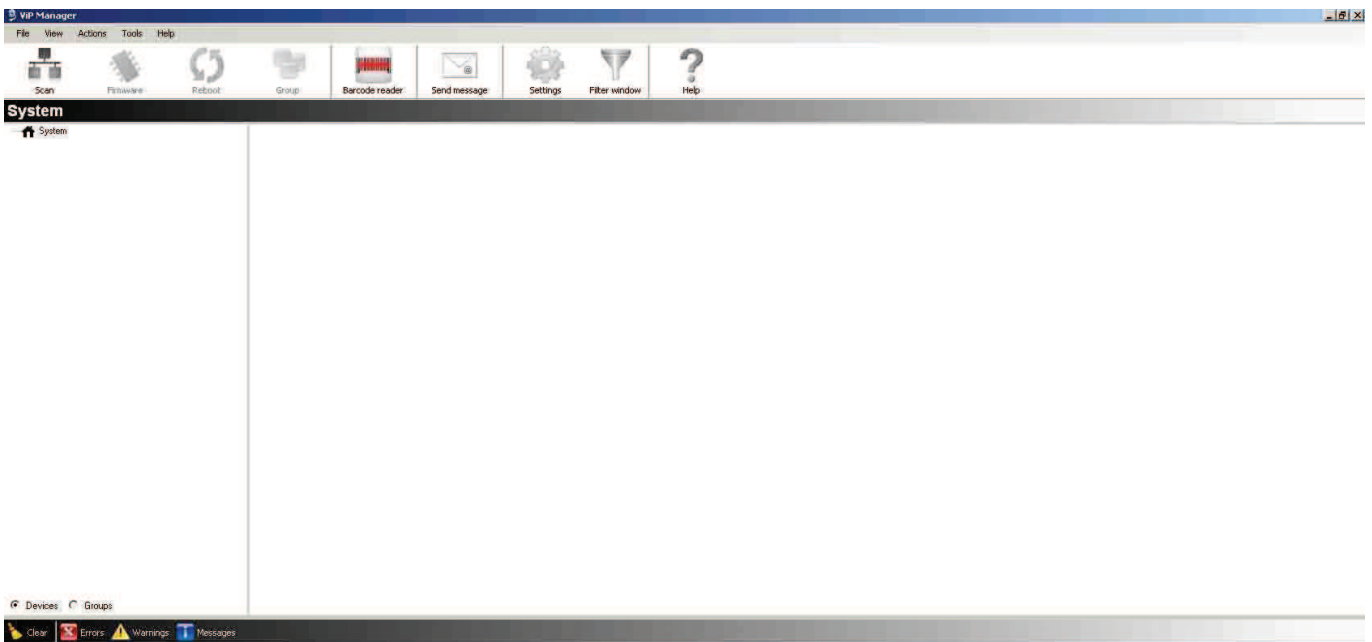
- ViP Manager software art. 1449 (supplied in CD format)
- PC with Windows operating system (Vers. XP or later) with CD.

Guide to installation

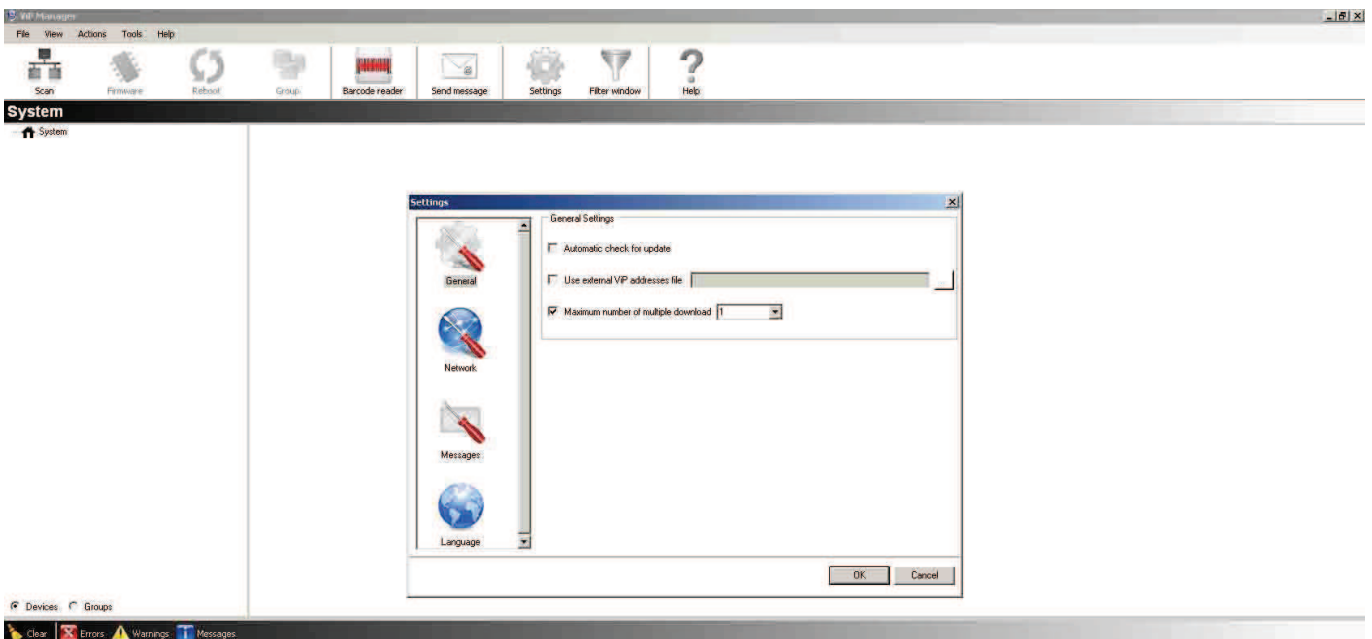
1. Switch on the PC and log on to the Windows Operating System.
2. Insert the ViP Manager software CD art. 1449.
3. Access “**My Computer**”.
4. Identify the CD reader drive and open it.
5. Click twice on the icon “**Setup.exe**”.
6. Follow the instructions which appear on the screen, until the software installation process is complete.

Initial configuration of ViP Manager software art. XXXX

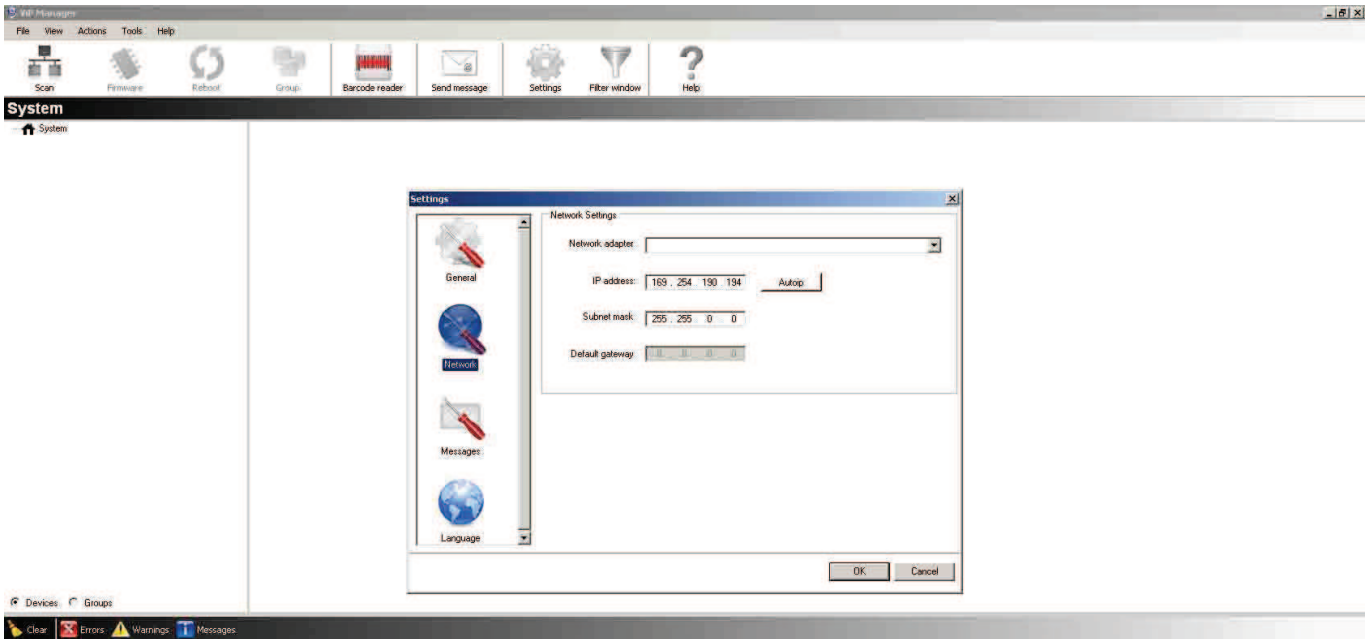
1. Connect your PC to a ViP system extension port using network cable art. XXXX.
2. Start ViP Manager software art. 1449.



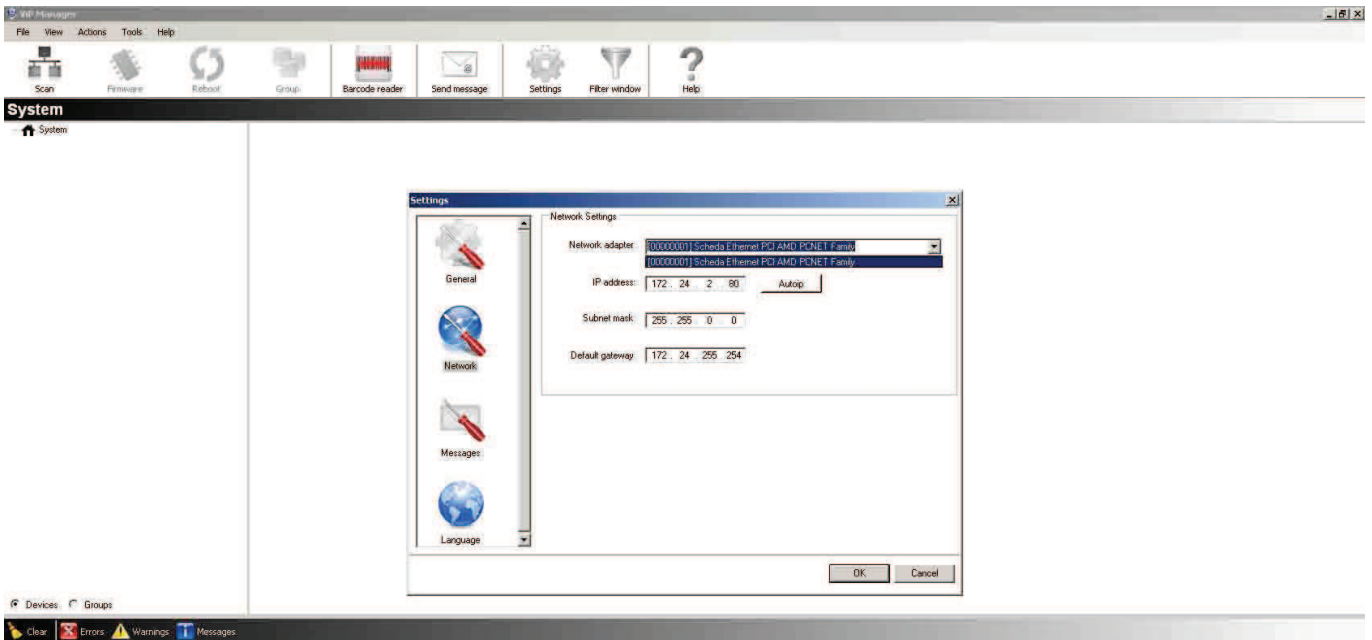
3. Click on the icon **Settings**.



1. Click on the icon **Network**.



2. Select your network card from the drop-down menu.



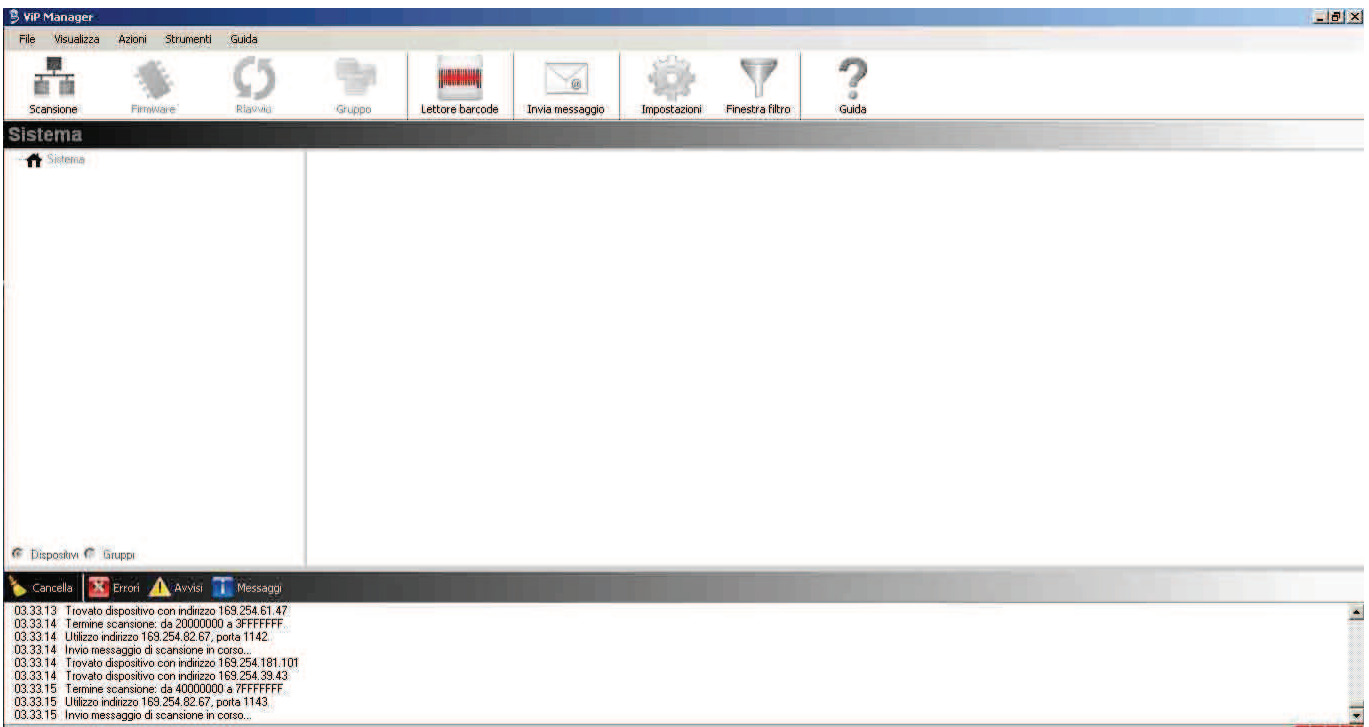
3. Click on the button **“Autoip”**.

4. Click on the button **“OK”**.

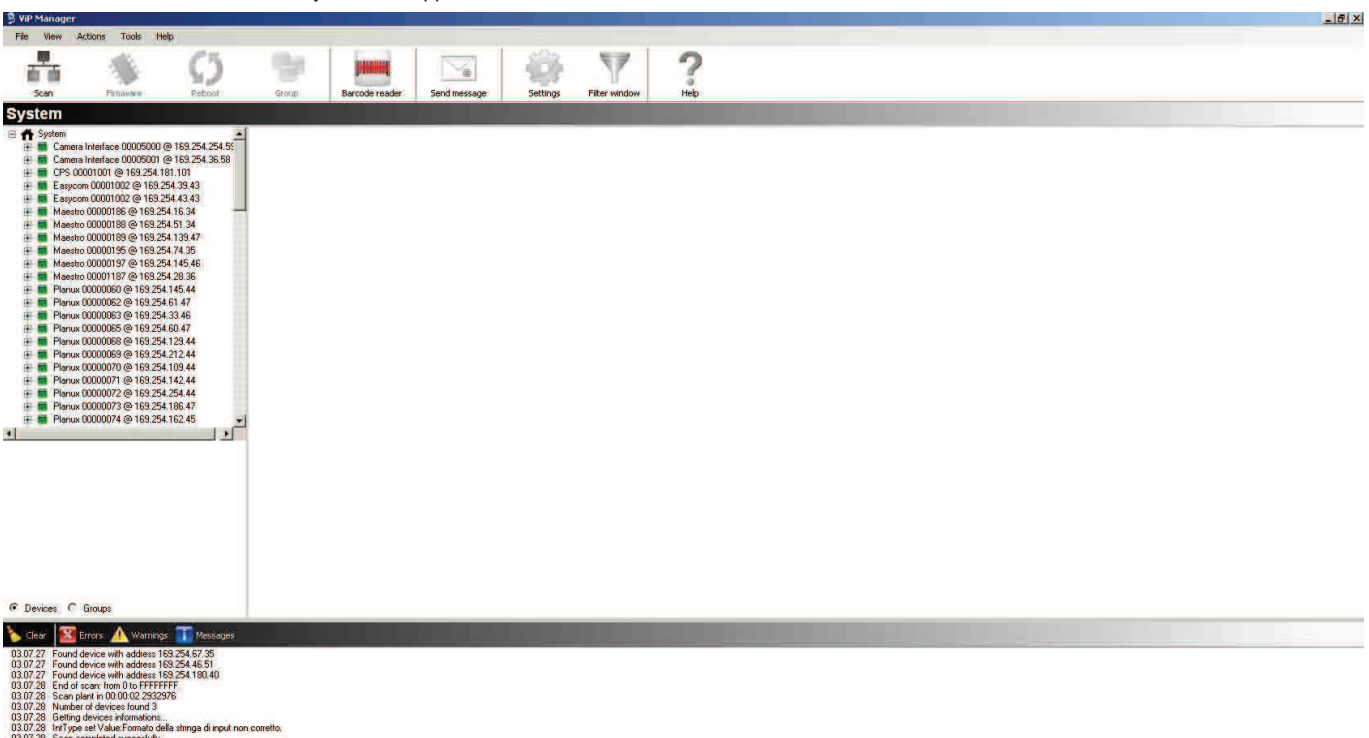
Detection of connected devices

To view all the devices connected to the system:

1. Connect your PC to a ViP system extension port using network cable art. XXXX.
2. Start ViP Manager software art. XXXX.
3. Click on the button **Scan**.

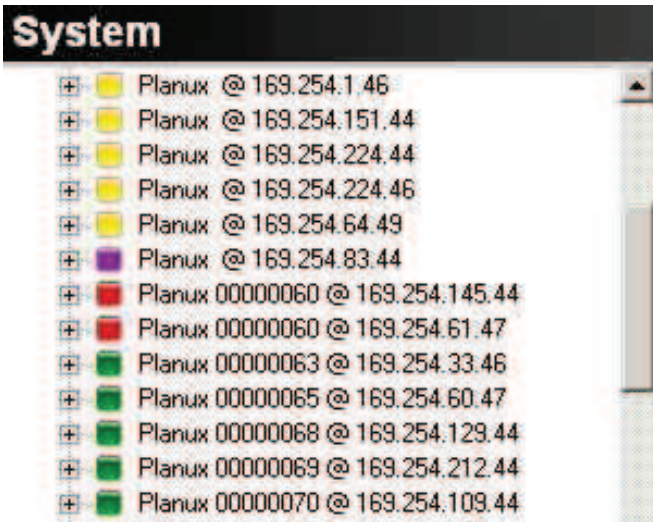


4. Wait for the software to complete the system scan.
5. All devices connected to the system will appear in the left-hand column.



Key to connected devices

Each device connected to the system is preceded by a coloured icon indicating its status.

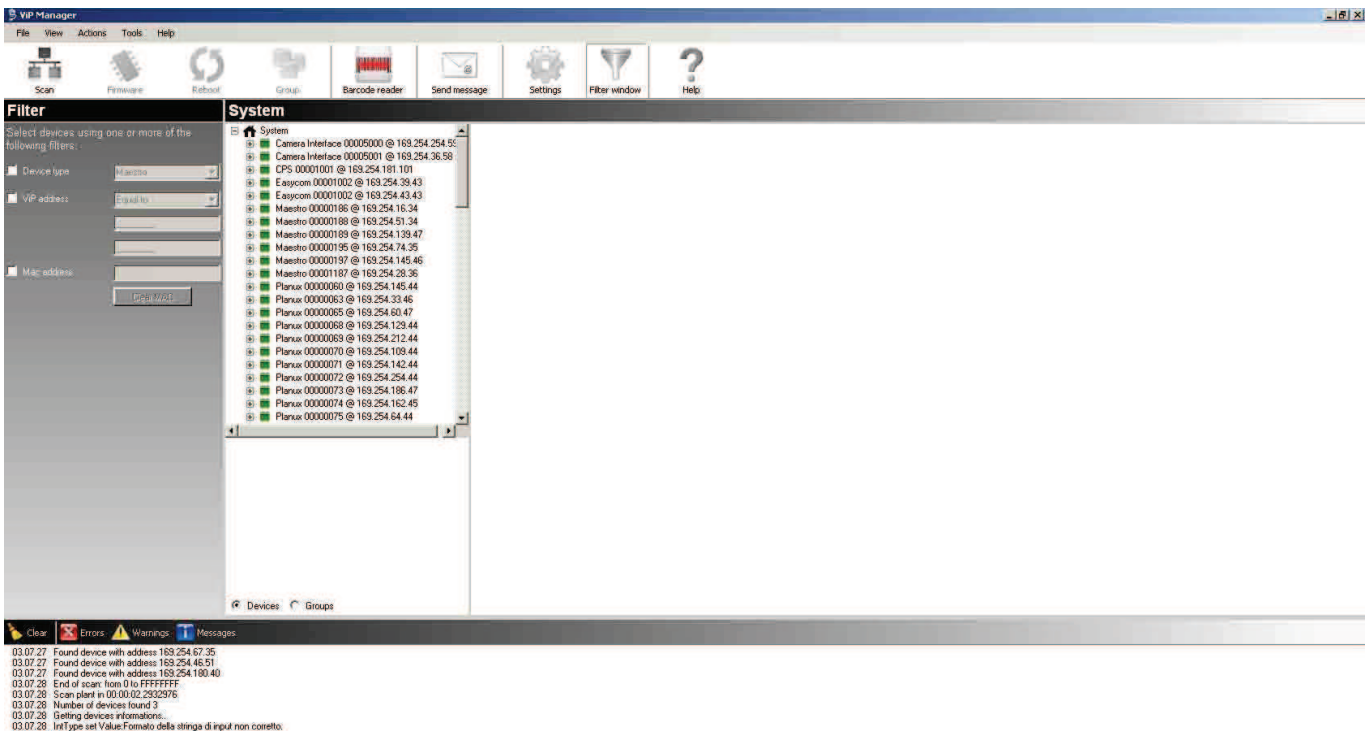


- Green:** ViP code programmed.
- Yellow:** ViP code not programmed.
- Red:** Two or more master devices programmed with the same ViP code.
- Purple:** Device in booting phase.

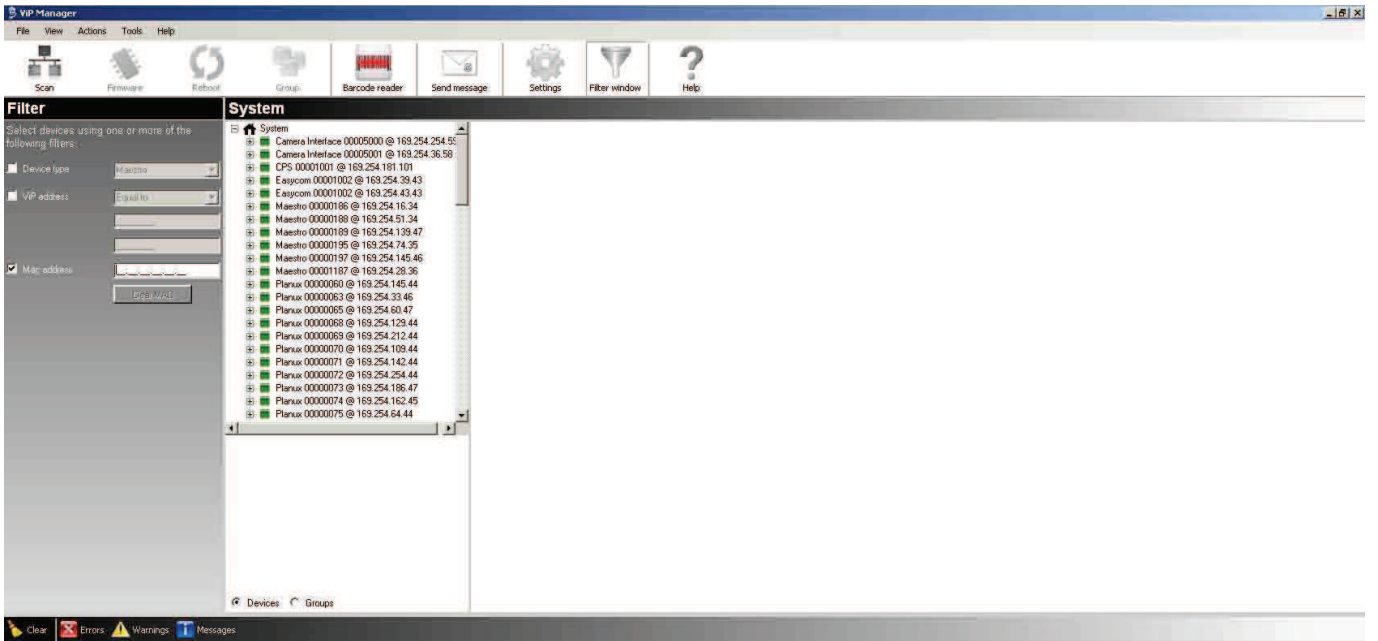
Programming the ViP code for external unit art. 4662C

The following example illustrates how to program the ViP code for a Powercom external unit art. 4662C which has not yet been programmed (yellow icon). However, the procedure also applies to devices which have already been programmed (green icon) or have conflicting addresses (red icon).

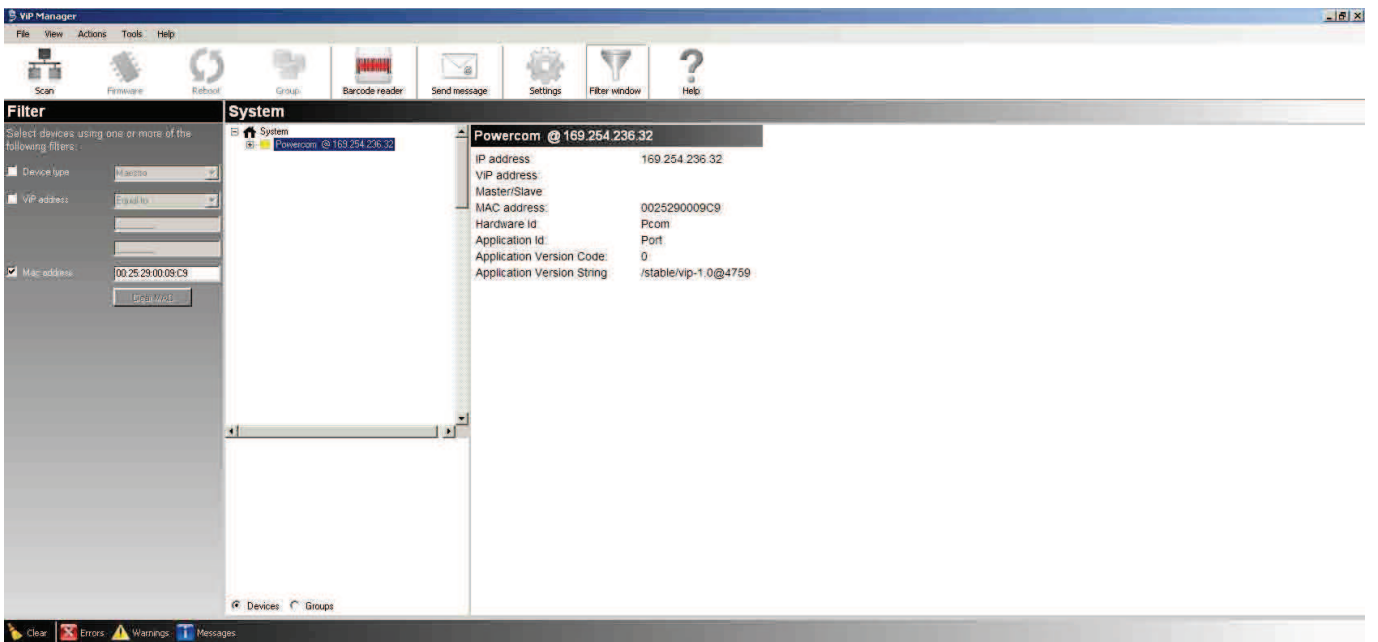
1. Connect your PC to a ViP system extension port using the network cable supplied with software art. 1449.
2. Start ViP Manager software art. 1449.
3. Click on the button **Scan**.
4. Wait for the software to complete the system scan.
5. All devices connected to the system will appear in the left-hand column.
6. Press the button **Filter window** to enable it.



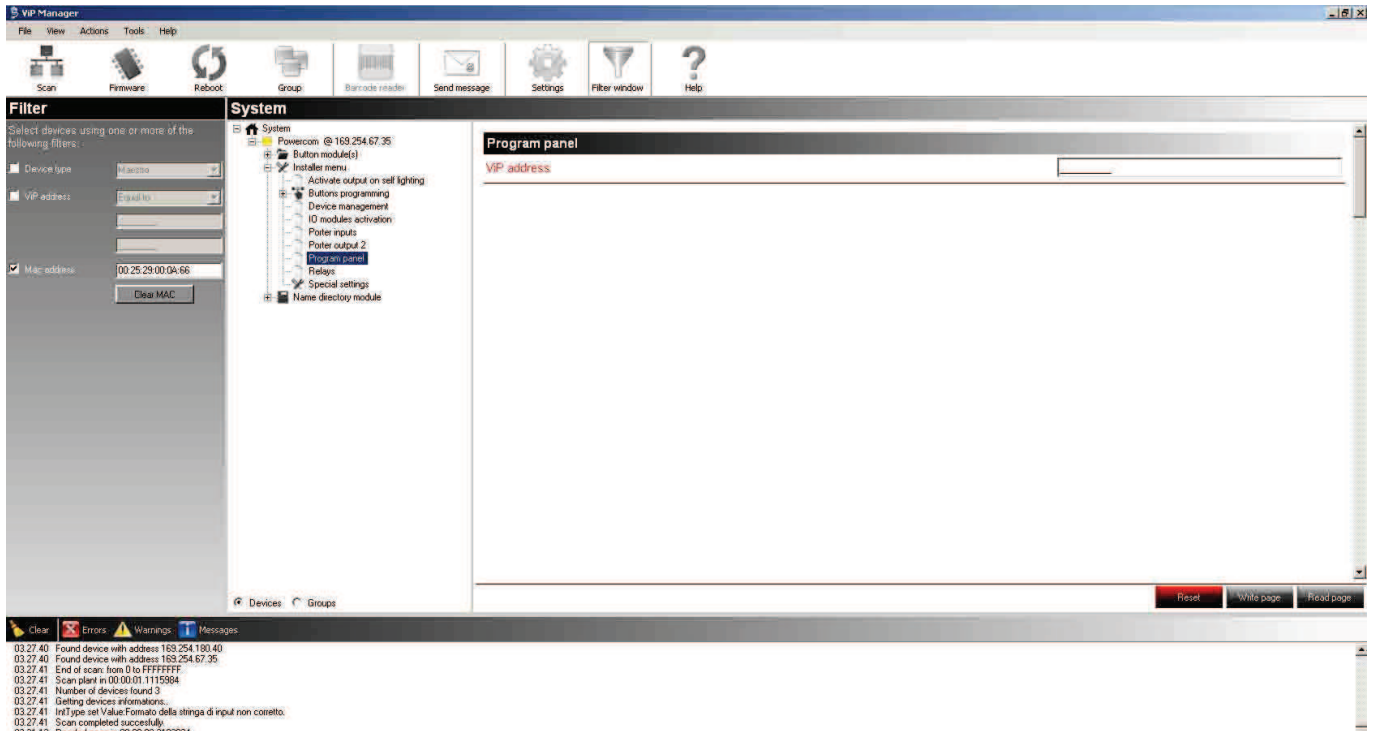
7. Tick the option **Mac address**.



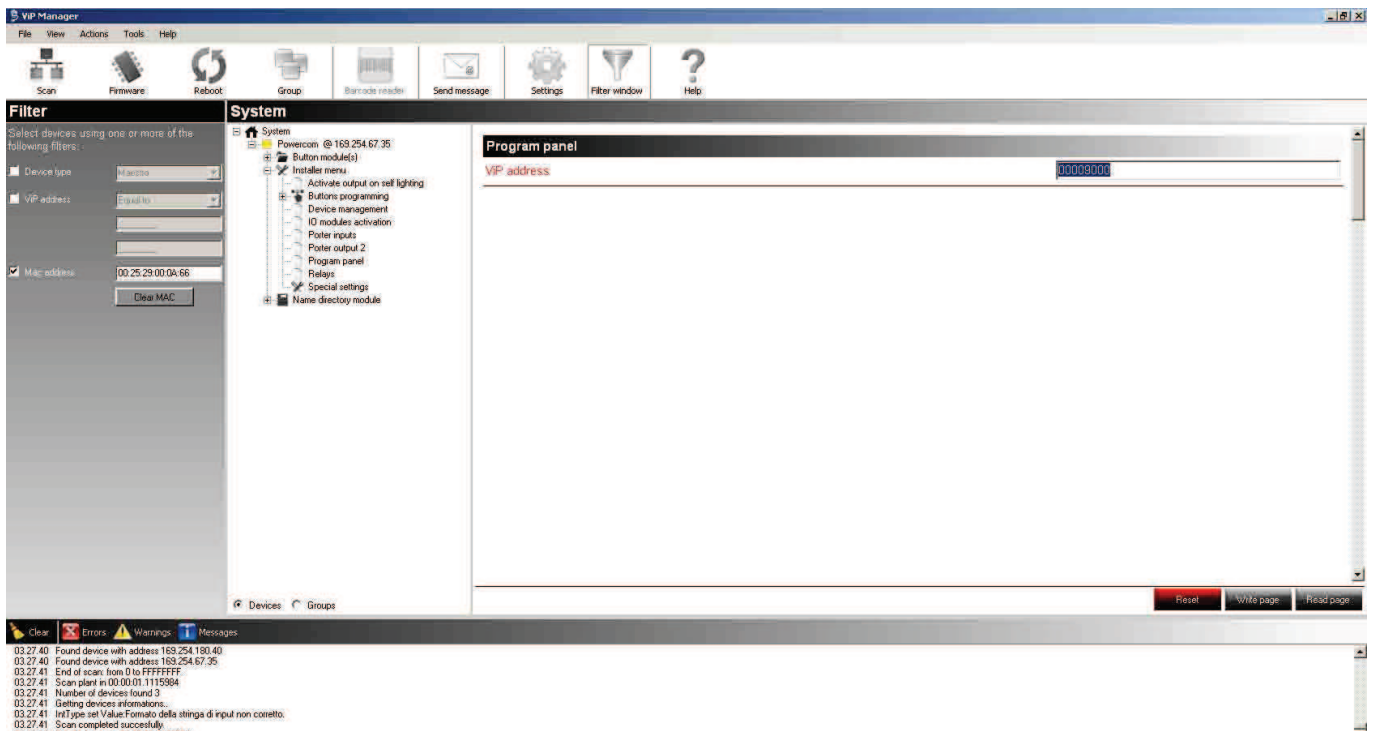
8. Enter the Mac address for the Powercom module art. 4662C you wish to program.



9. Expand the tree menu **Powercom > Installer menu > Program panel**.



10. In the **ViP address** box, enter the ViP address you wish to assign to the Powercom external unit art. 4662C.

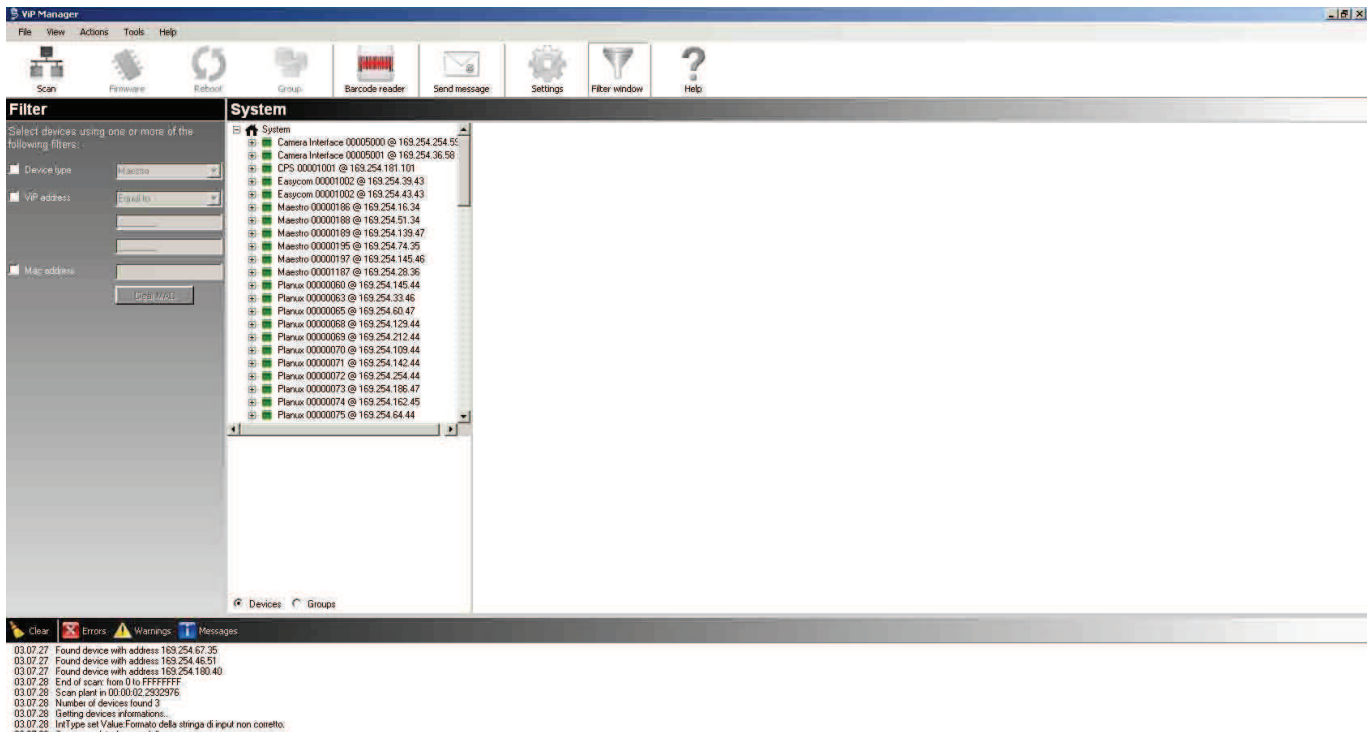


11. Click the button **Write page** to confirm and save.

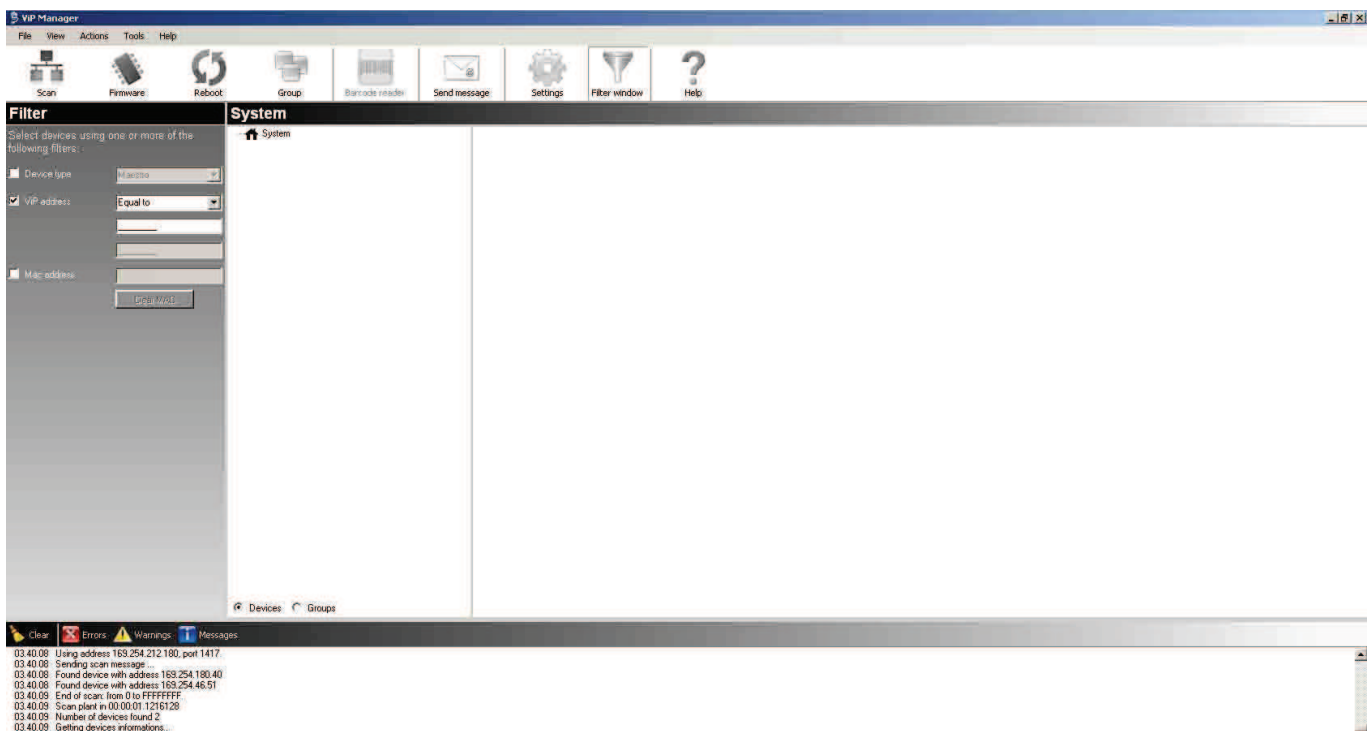
Programming buttons on external unit art. 4662C

The following example illustrates how to program a button on a Powercom external unit art. 4662C. The procedure also applies to devices which have already been programmed and for which you wish to change the call address.

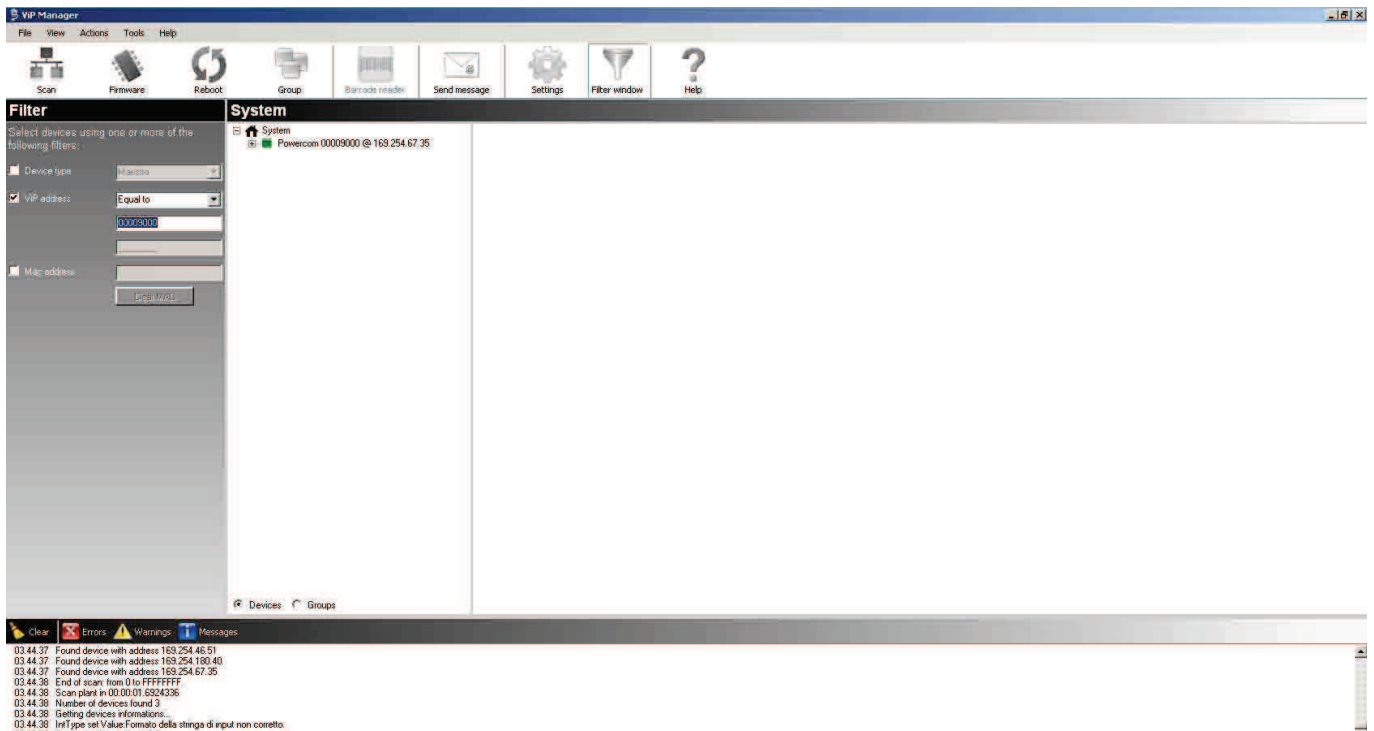
1. Connect your PC to a ViP system extension port using the network cable supplied with software art. 1449.
2. Start ViP Manager software art. 1449.
3. Click on the button **Scan**.
4. Wait for the software to complete the system scan.
5. All devices connected to the system will appear in the left-hand column.
6. Press the button **Filter window** to enable it.



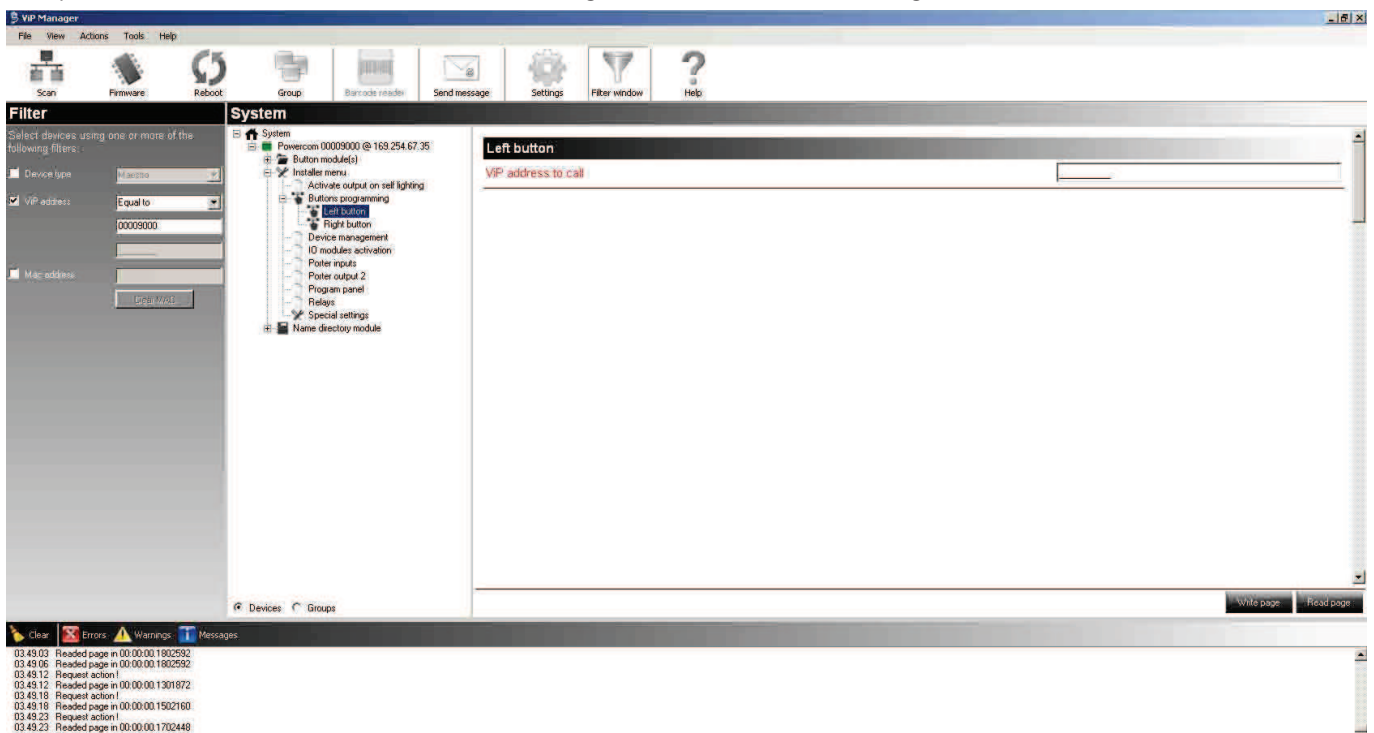
7. Tick the option **ViP address**.



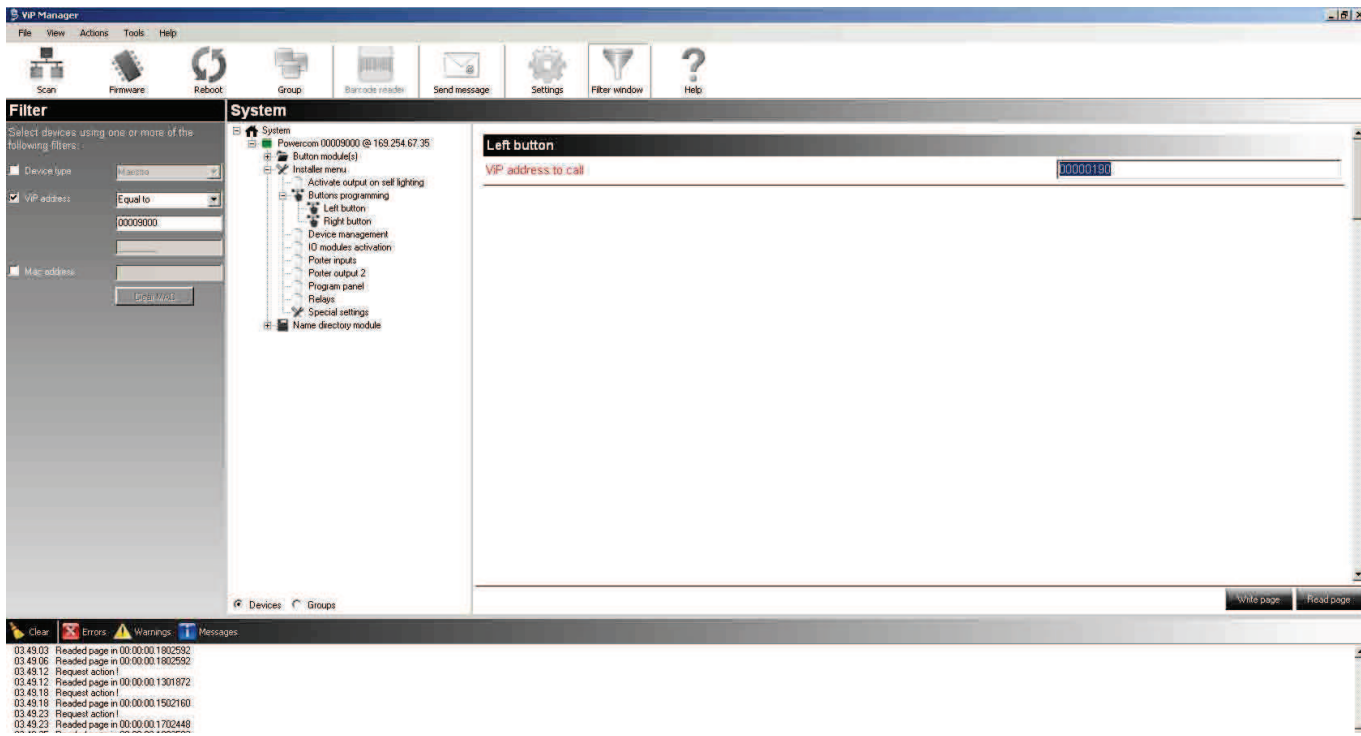
8. Enter the ViP address for the Powercom module art. 4662C you wish to program.



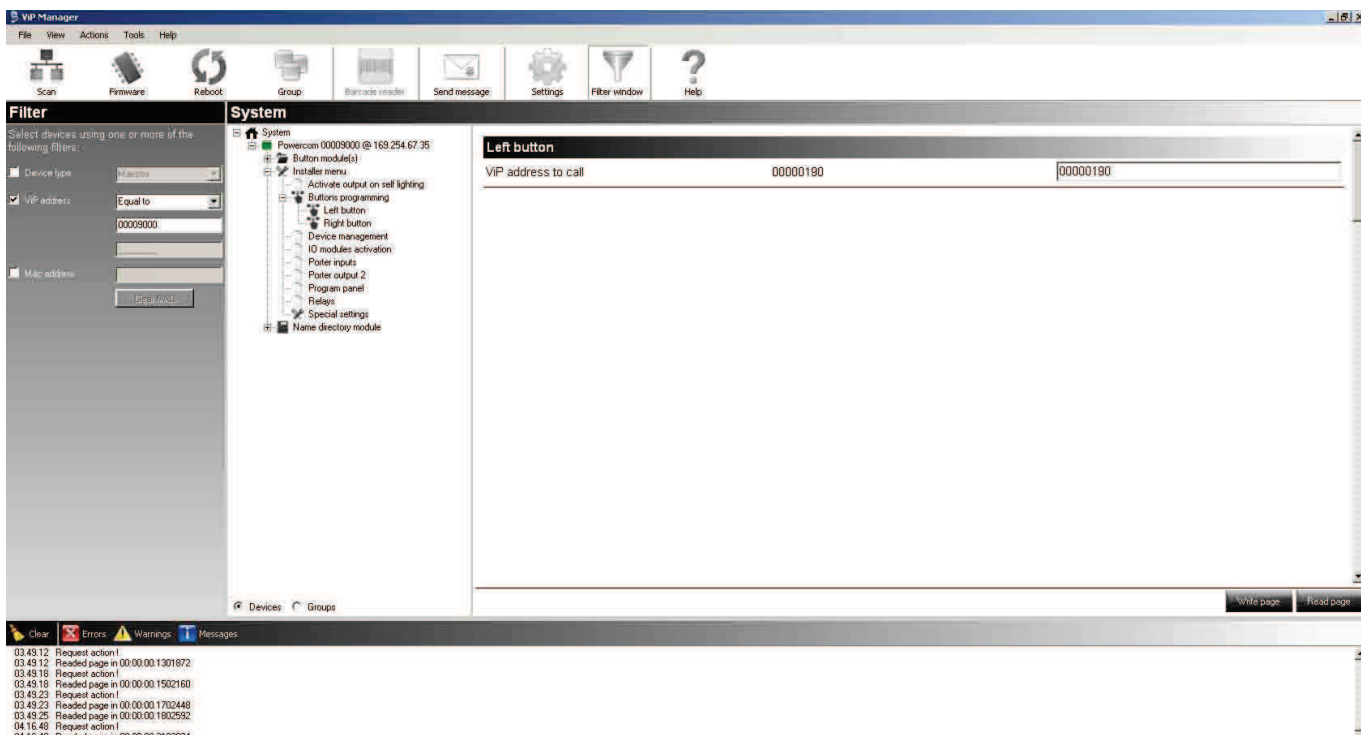
9. Expand the tree menu **Powercom > Installer menu > Program buttons > Left button or Right button**.



10. In the **ViP address to call** box, enter the ViP call address you wish to assign to the button.



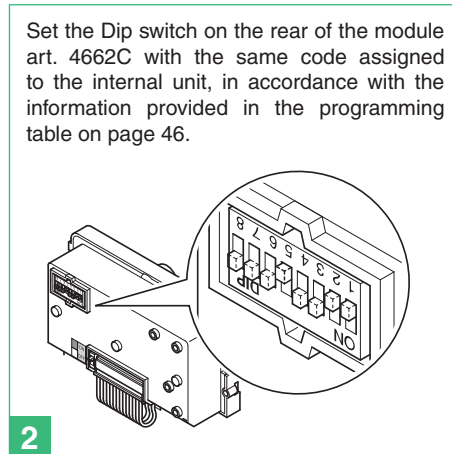
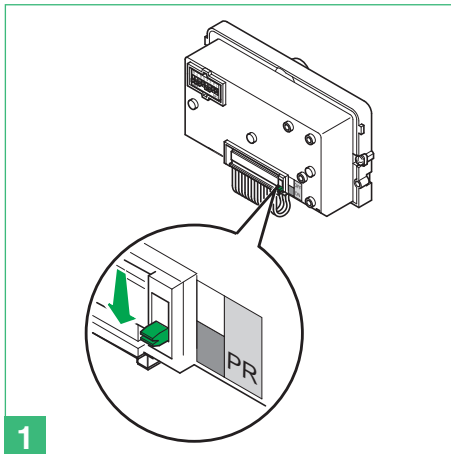
11. Click the button **Write page** to confirm and save.



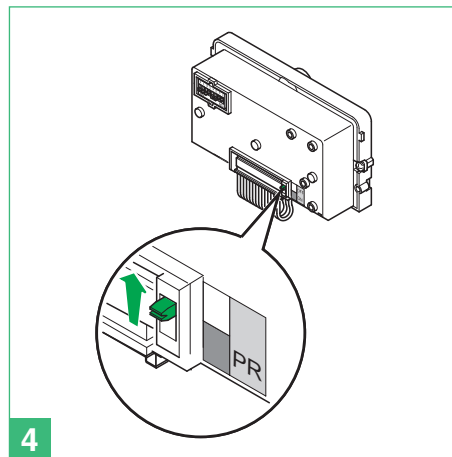
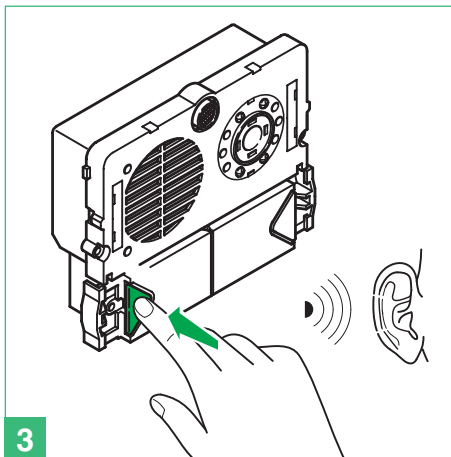
Manually programming buttons on external unit art. 4662C

The following procedure can be used to program buttons with ViP codes in the range between 1 and 255 only. To program higher ViP addresses, use the ViP Manager software.

1. Wire the external unit (see VIP/001).
2. Power up the external unit, carry out steps (1-4).



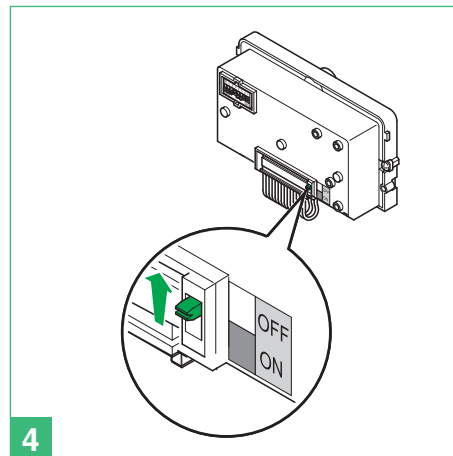
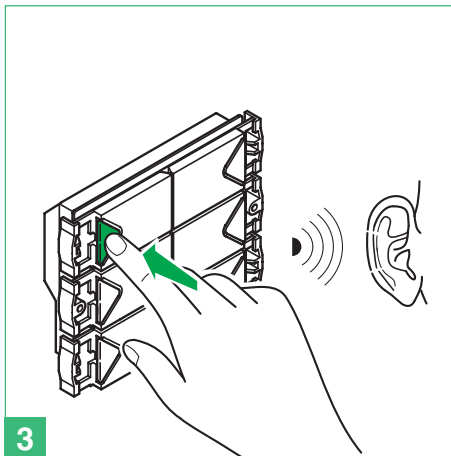
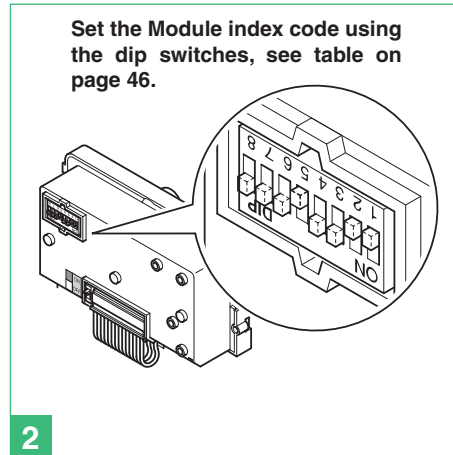
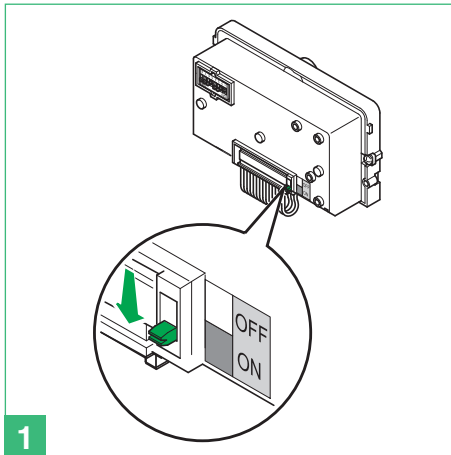
Set the Dip switch on the rear of the module art. 4662C with the same code assigned to the internal unit, in accordance with the information provided in the programming table on page 46.



Programming additional button module art. 3337

Follow the procedure below for each module art. 3337 connected to the system.

1. Wire the modules and buttons (see VIP/001).
2. Power up the external unit, carry out steps (1-4).



Make a note of the address which has just been set on module art. 3337 and the ViP address of the external unit to which it is connected, as in the following example.

Art. 4662C ViP address	Art. 3337 Module index
00000600	236

3. Connect your PC to a ViP system extension port using the network cable supplied with software art. 1449.
4. Start ViP Manager software art. 1449.
5. Click on the button **Scan**.
6. Wait for the software to complete the system scan.
7. All devices connected to the system will appear in the left-hand column.
8. Press the button **Filter window** to enable it.

The screenshot shows the VIP Manager application window. The 'Filter' pane on the left has 'Device type' set to 'Maestro' and 'VIP address' set to 'Equal to'. The 'System' pane on the right displays a list of discovered devices with their names and IP addresses. The status bar at the bottom shows a log of events.

Device Name	IP Address
Camera Interface	00005000 @ 169.254.254.50
Camera Interface	00005001 @ 169.254.36.58
CPS	00001001 @ 169.254.181.101
Easycom	00001002 @ 169.254.39.43
Easycom	00001002 @ 169.254.43.43
Maestro	00000186 @ 169.254.16.34
Maestro	00000188 @ 169.254.51.34
Maestro	00000189 @ 169.254.139.47
Maestro	00000195 @ 169.254.74.35
Maestro	00000197 @ 169.254.145.46
Maestro	00001187 @ 169.254.28.36
Planlux	00000660 @ 169.254.145.44
Planlux	00000663 @ 169.254.33.46
Planlux	00000665 @ 169.254.60.47
Planlux	00000668 @ 169.254.129.44
Planlux	00000669 @ 169.254.212.44
Planlux	00000670 @ 169.254.109.44
Planlux	00000671 @ 169.254.142.44
Planlux	00000672 @ 169.254.254.44
Planlux	00000673 @ 169.254.186.47
Planlux	00000674 @ 169.254.162.45
Planlux	00000675 @ 169.254.64.44

```

03.07.27 Found device with address: 169.254.67.35
03.07.27 Found device with address: 169.254.46.51
03.07.27 Found device with address: 169.254.180.40
03.07.28 End of scan: from 0 to FFFFFFFF
03.07.28 Scan plan in 00.00.02.2932976
03.07.28 Number of devices found: 9
03.07.28 Getting devices informations...
03.07.28 InType set Value: Formato della stringa di input non corretto.
  
```

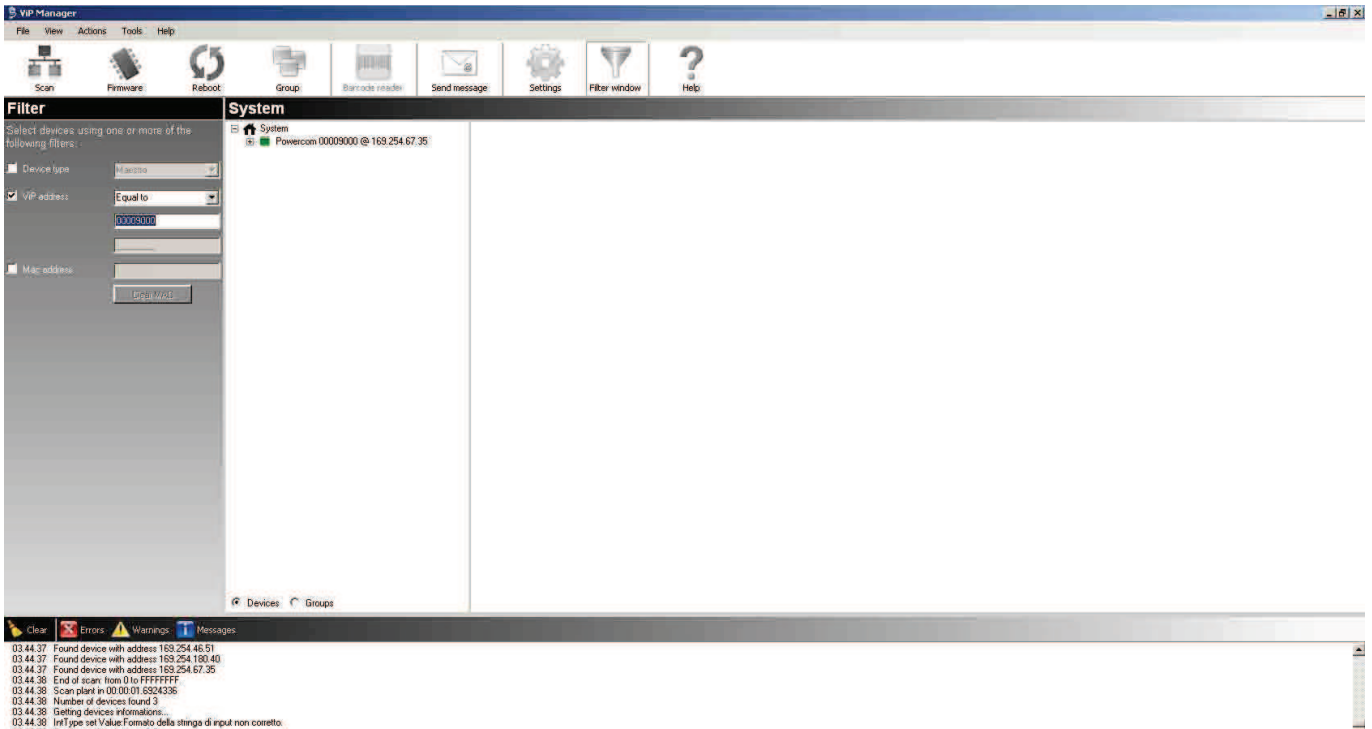
9. Tick the option **VIP address**.

This screenshot shows the same VIP Manager interface as the previous one, but with the 'VIP address' filter option checked in the 'Filter' pane. The 'System' pane is currently empty, and the status bar shows a new log of events.

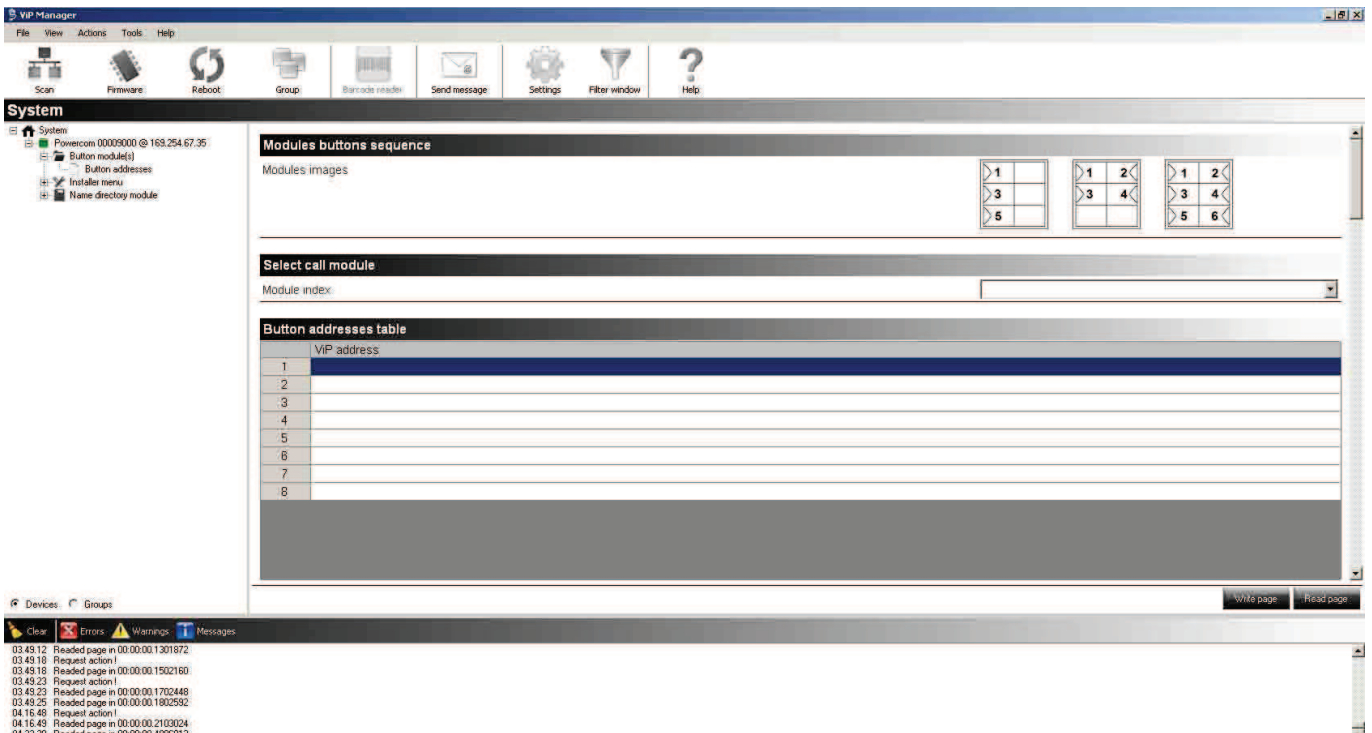
```

03.40.08 Using address: 169.254.212.180, port: 1417
03.40.08 Sending scan message...
03.40.08 Found device with address: 169.254.180.40
03.40.08 Found device with address: 169.254.46.51
03.40.09 End of scan: from 0 to FFFFFFFF
03.40.09 Scan plan in 00.00.01.1216126
03.40.09 Number of devices found: 2
03.40.09 Getting devices informations...
  
```


10. Enter the ViP address of the Powercom module art. 4662C to which the additional button module art. 3337 is connected.



11. Click on **Filter window** again to close the window and enlarge the display.
12. Expand the tree menu **Powercom > Button module(s) > Button addresses**.



13. Select the code **Module index** for the additional button module art. 3337 you wish to program.

System

Powercom 00000000 @ 163.254.67.35

Modules buttons sequence

Modules images

Select call module

Module index: 236

Button addresses table

Button	VIP address
1	237
2	238
3	239
4	240
5	241
6	242
7	243
8	

03.45.18 Readed page in 00:00:00.1502160
 03.45.23 Request action |
 03.45.23 Readed page in 00:00:00.1702448
 03.45.25 Readed page in 00:00:00.1802592
 04.16.48 Request action |
 04.16.48 Readed page in 00:00:00.2103024
 04.23.30 Readed page in 00:00:00.4883912
 04.30.31 Readed page in 00:00:00.3605184

14. In the **Button addresses table**, assign the desired VIP call address to the buttons.

System

Powercom 00000000 @ 163.254.67.35

Modules buttons sequence

Modules images

Select call module

Module index: 236

Button addresses table

Button	VIP address
1	00000137
2	
3	00000125
4	
5	00000212
6	
7	
8	

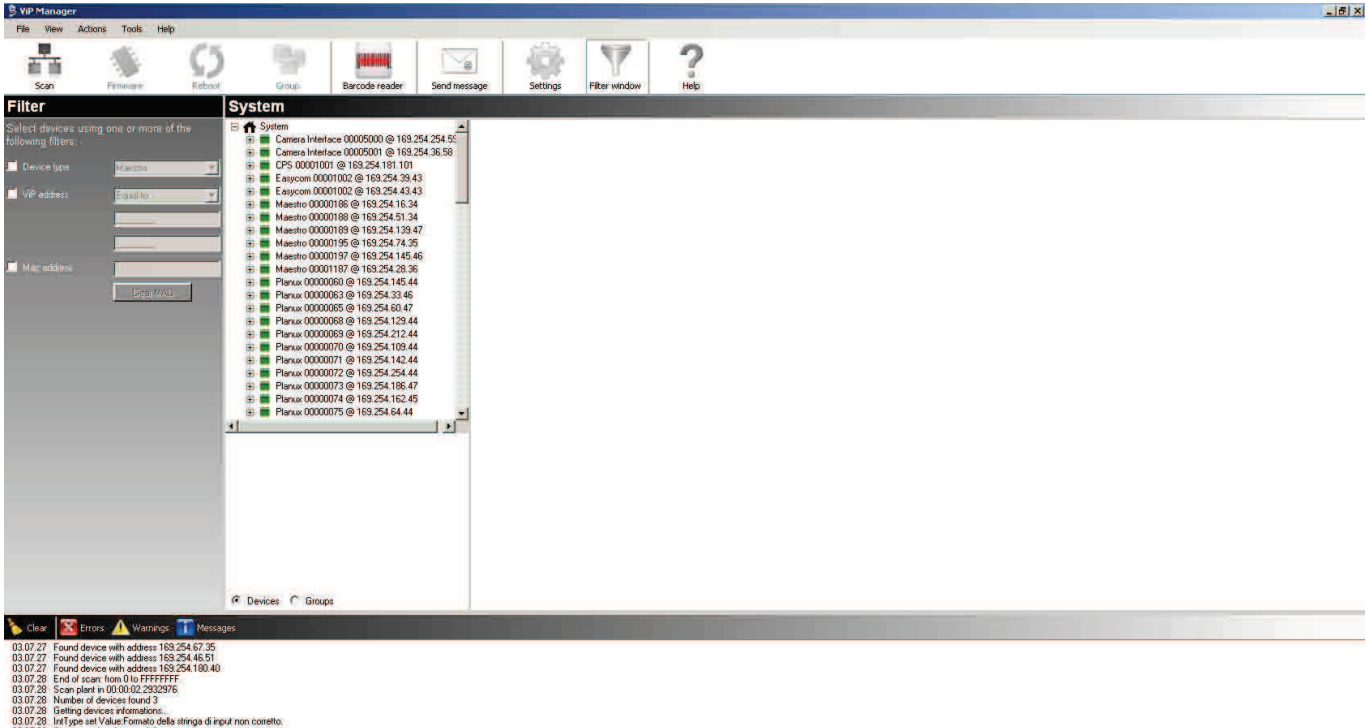
04.33.28 Readed page in 00:00:00.3304752
 04.33.39 Readed page in 00:00:00.3004320
 04.33.53 Readed page in 00:00:00.2004032
 04.34.41 Readed page in 00:00:00.3505040
 04.35.07 Request action |
 04.35.07 Readed page in 00:00:00.2002080
 04.35.14 Readed page in 00:00:00.2503600
 04.35.33 Readed page in 00:00:00.2503600

15. Click the button **Write page** to confirm and save.

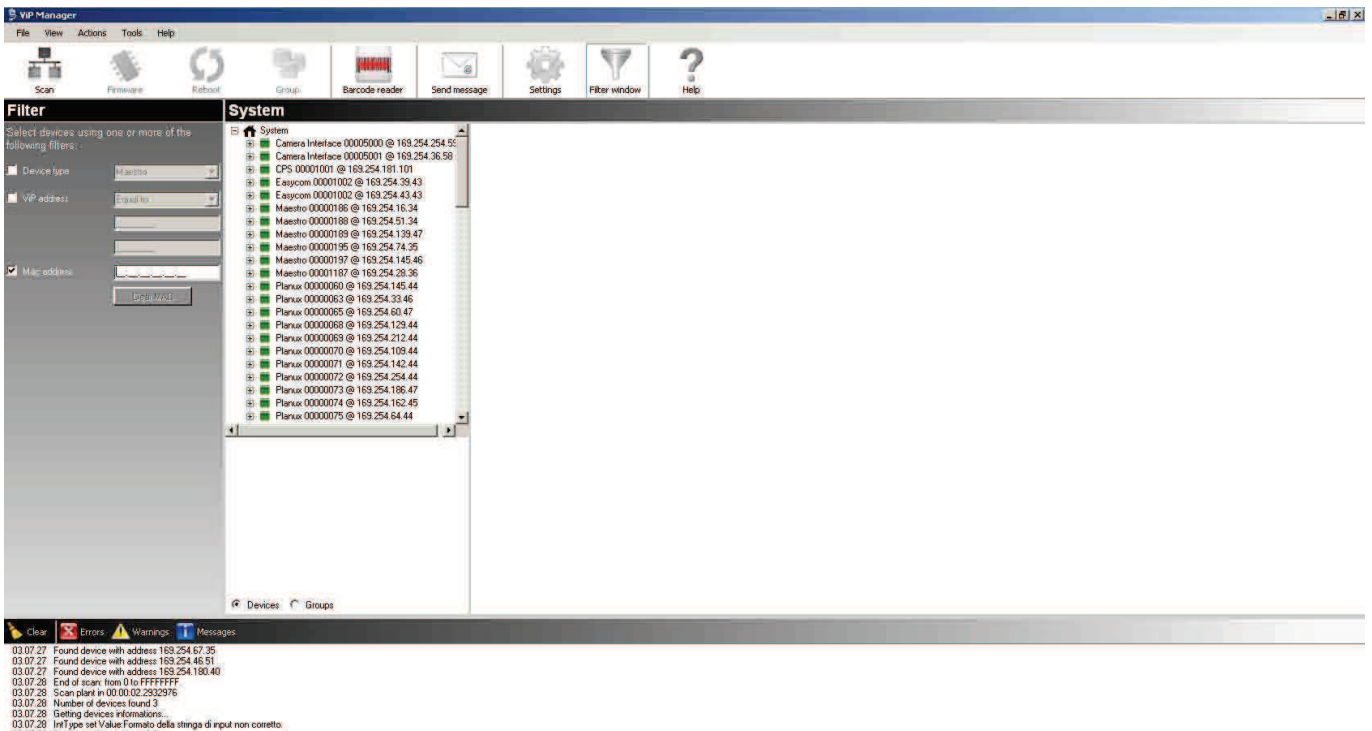
Programming the ViP code for Planux monitor art. 6202

The following example illustrates how to program the ViP code for a Planux monitor art. 6202 which has not yet been programmed (yellow icon). However, the procedure also applies to devices which have already been programmed (green icon) or have conflicting addresses (red icon).

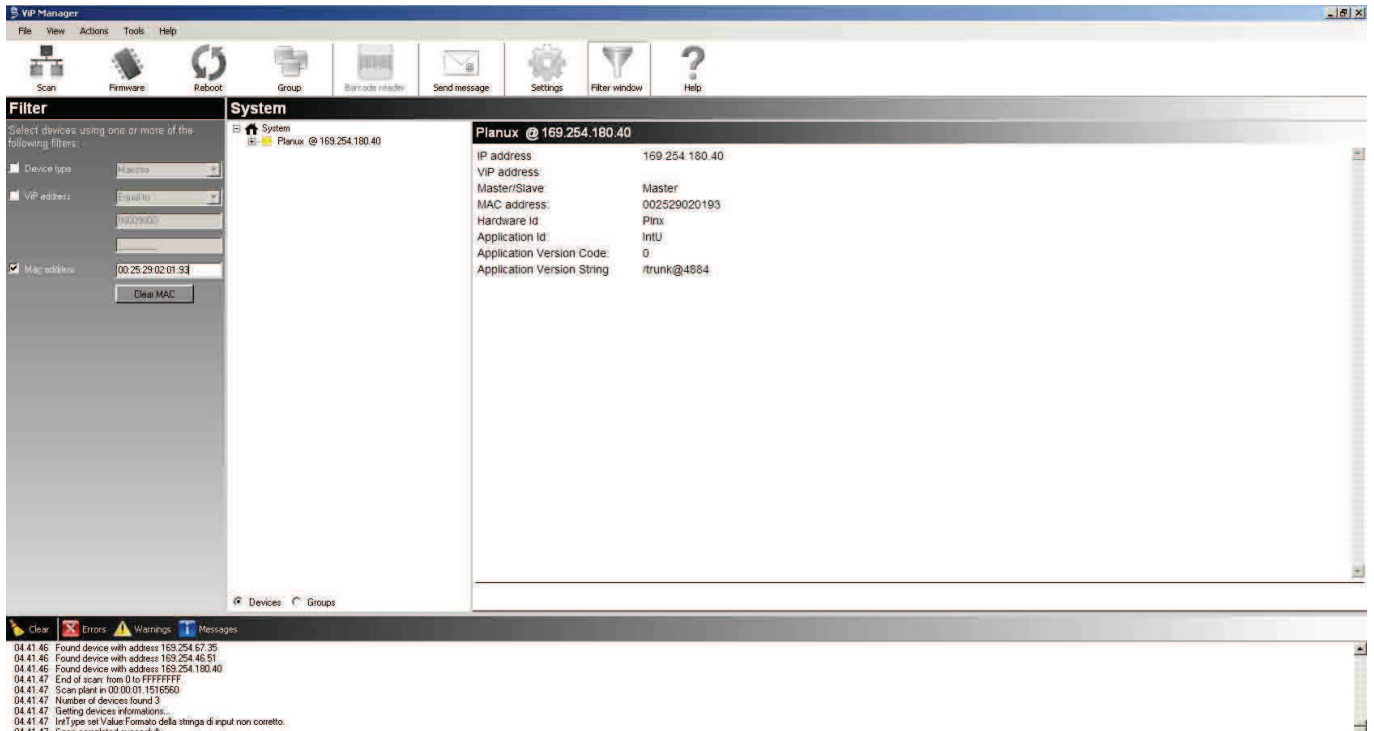
1. Connect your PC to a ViP system extension port using the network cable supplied with software art. 1449.
2. Start ViP Manager software art. 1449.
3. Click on the button **Scan**.
4. Wait for the software to complete the system scan.
5. All devices connected to the system will appear in the left-hand column.
6. Press the button **Filter window** to enable it.



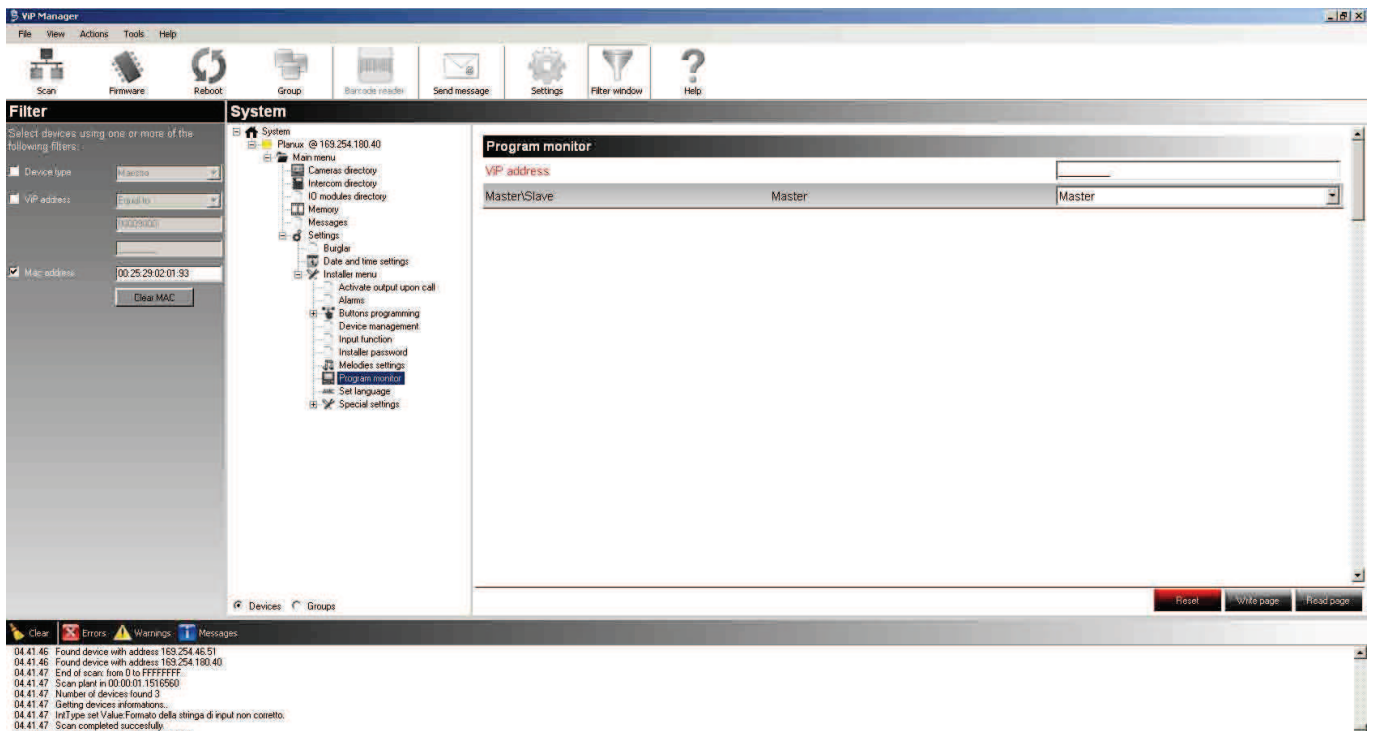
7. Tick the option **Mac address**.



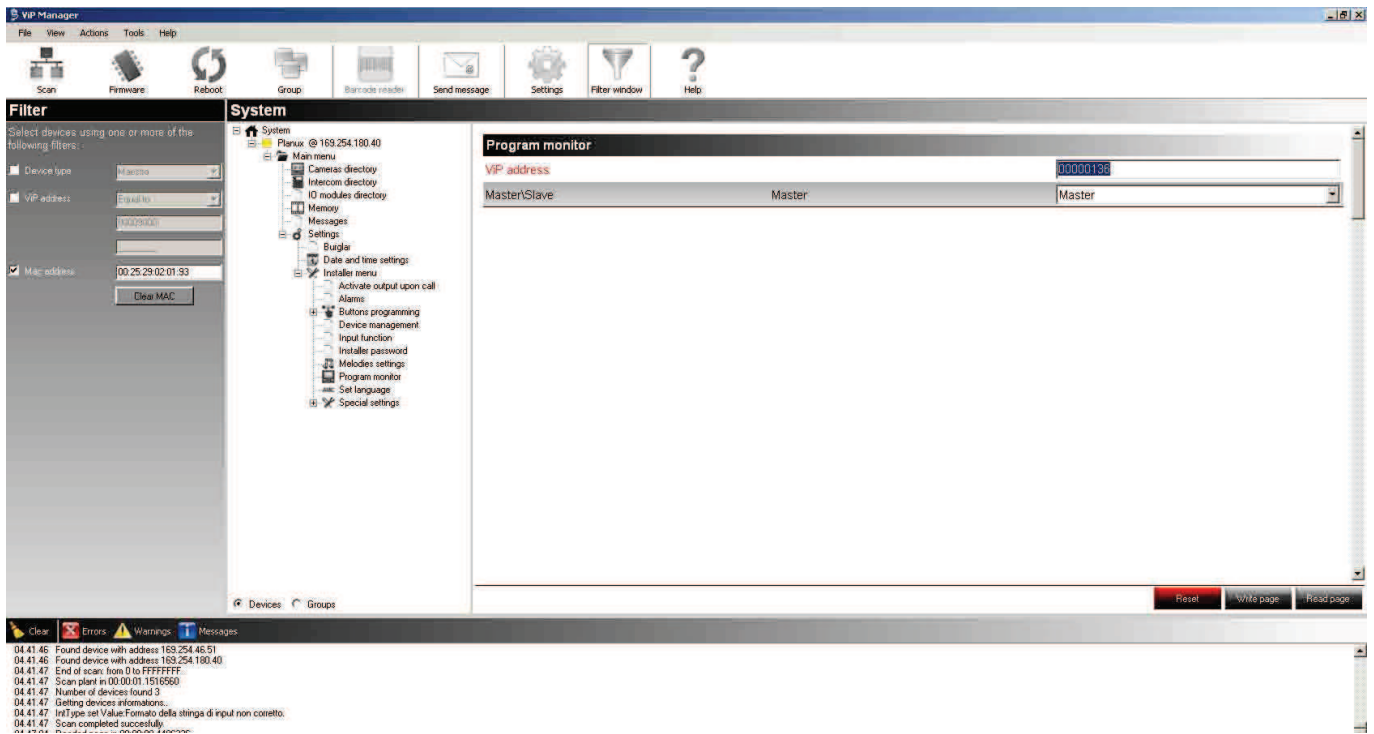
8. Enter the Mac address for the Planux module art. 6202 you wish to program.



9. Expand the tree menu **Planux > Main menu > Settings > Installer menu > Program monitor**.



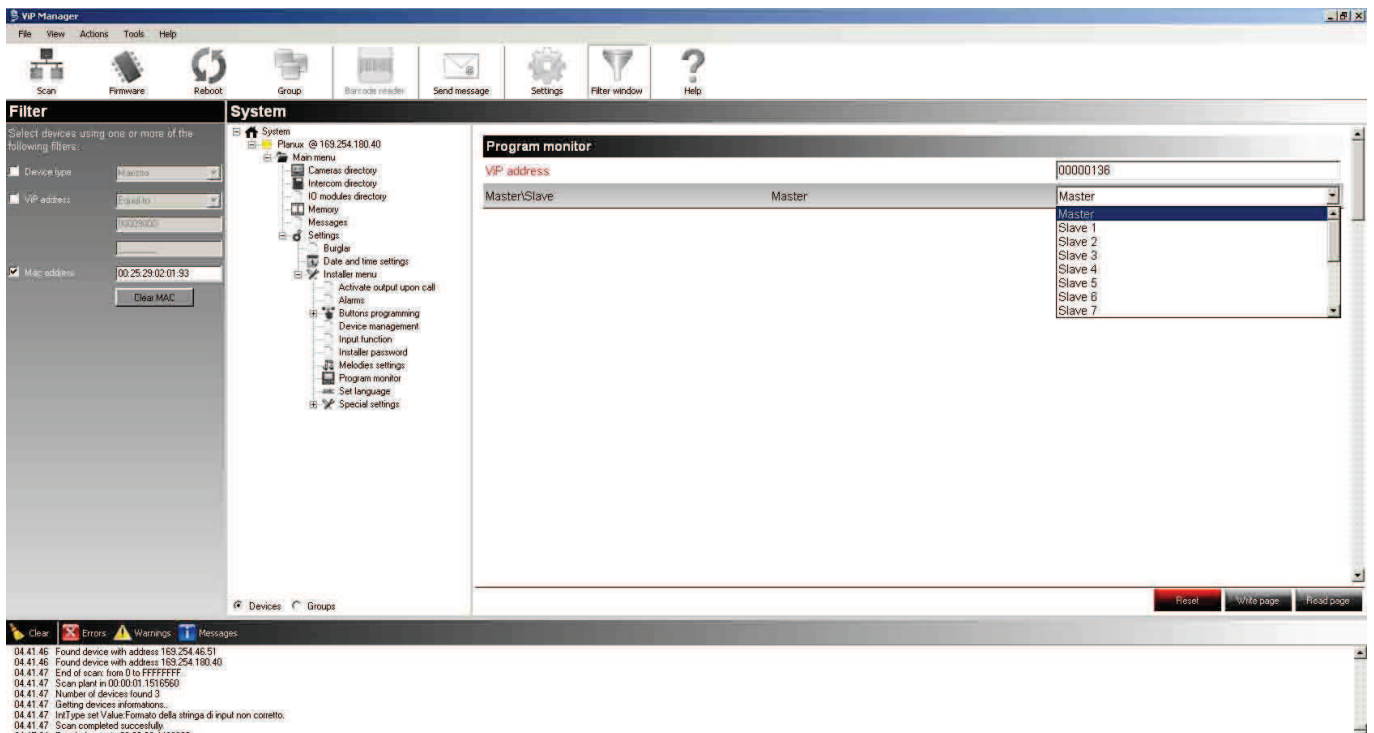
10. In the **ViP address** box, enter the ViP address you wish to assign to the Planux internal unit art. 6202.



11. From the drop-down menu, select whether to set the monitor as Master or Slave.

Master: By Master we mean the main monitor in an apartment. Every Master monitor in the system must have a different ViP code. The Master monitor manages all external unit / switchboard / intercom calls. It is essential that, in an apartment, one of the monitors is set as a Master.

Slave: By Slave we mean one or more secondary monitors (MAX. 15) in an apartment. **Each Slave has the same ViP address as the Master monitor.**



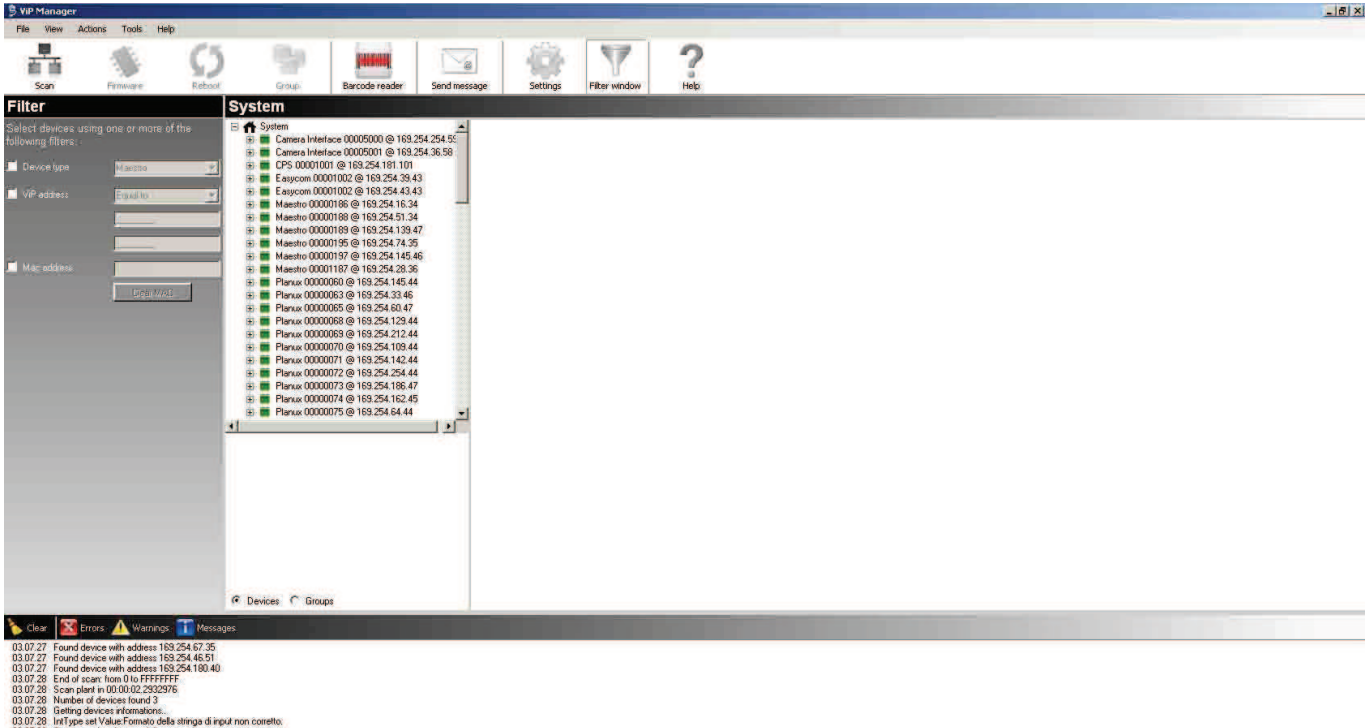
12. Click the button **Write page** to confirm and save.

» In the list of system devices, the Planux monitor selected previously now appears with the green icon and with the ViP address 00000136 assigned to it.

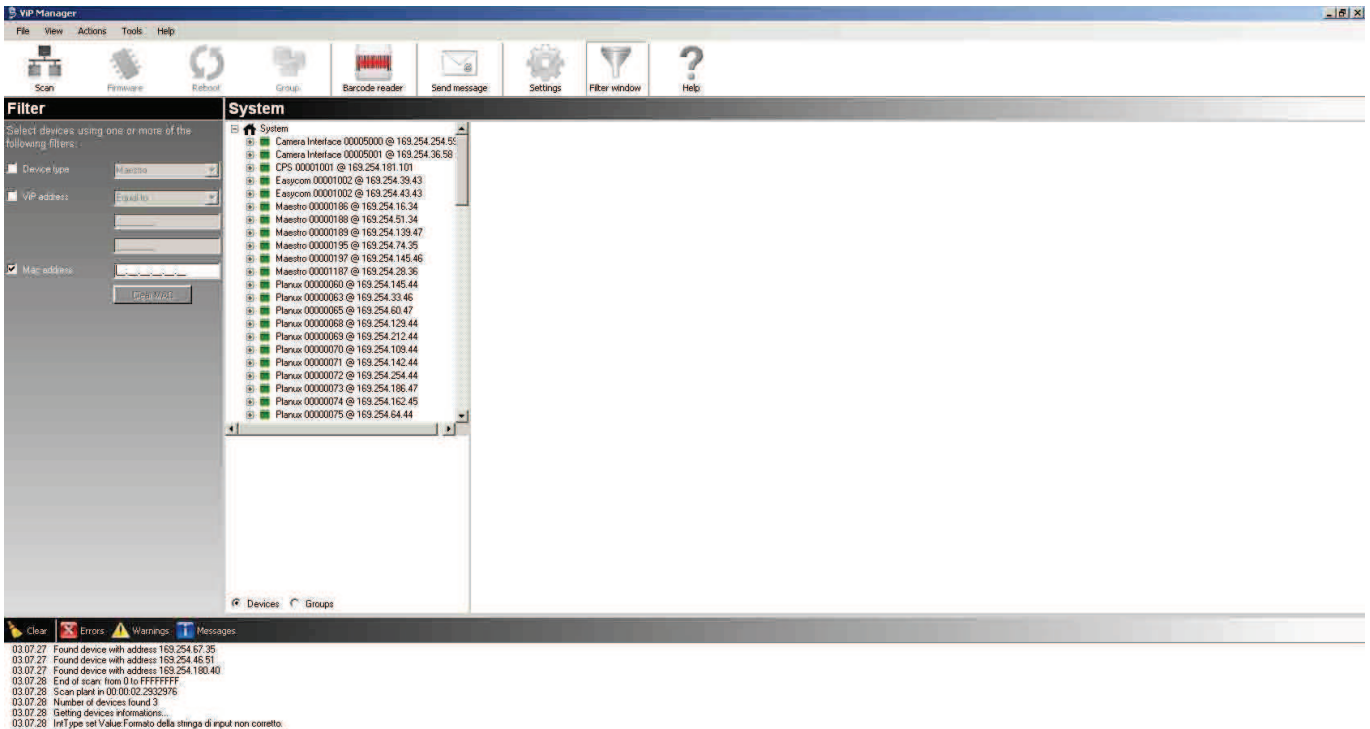
Programming the ViP code for Easycom door-entry phone art. 6203

The following example illustrates how to program the ViP code for an Easycom door-entry phone art. 6203 which has not yet been programmed (yellow icon). However, the procedure also applies to devices which have already been programmed (green icon) or have conflicting addresses (red icon).

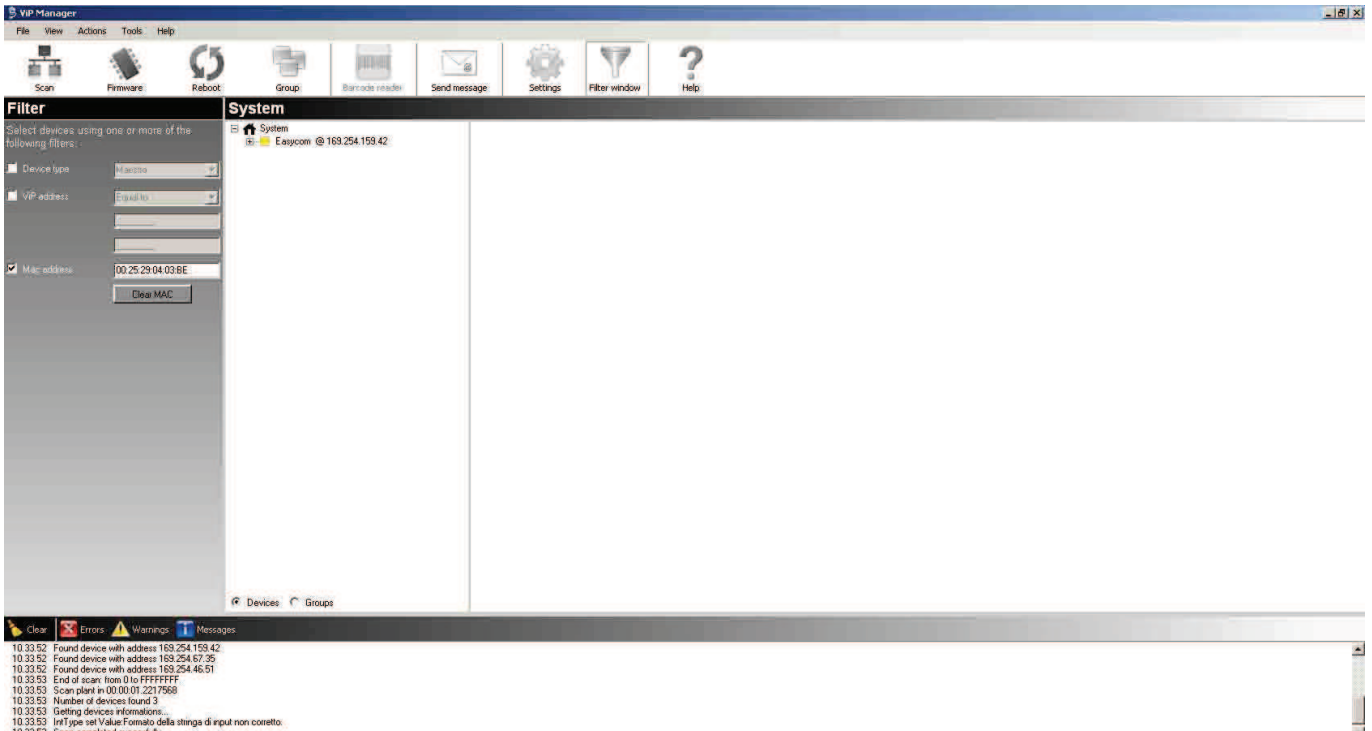
1. Connect your PC to a ViP system extension port using the network cable supplied with software art. 1449.
2. Start ViP Manager software art. 1449.
3. Click on the button **Scan**.
4. Wait for the software to complete the system scan.
5. All devices connected to the system will appear in the left-hand column.
6. Press the button **Filter window** to enable it.



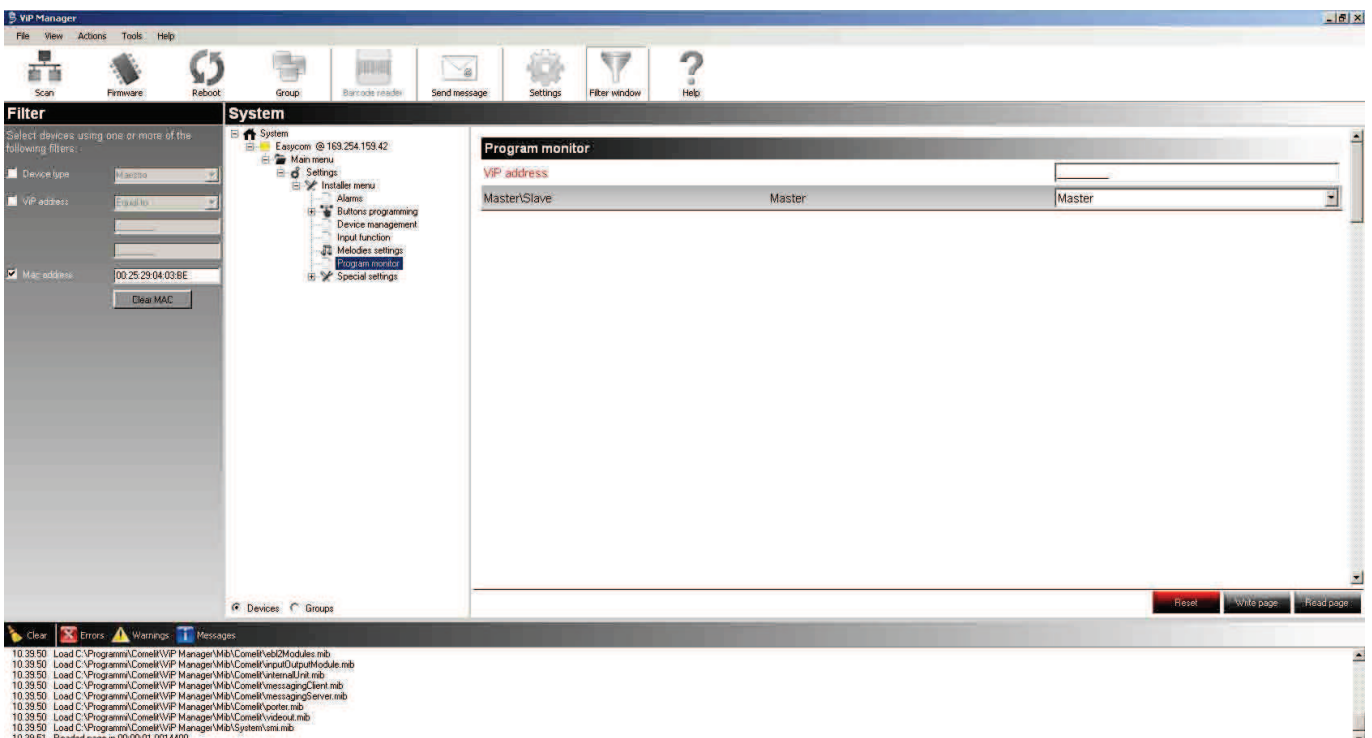
7. Tick the option **Mac address**.



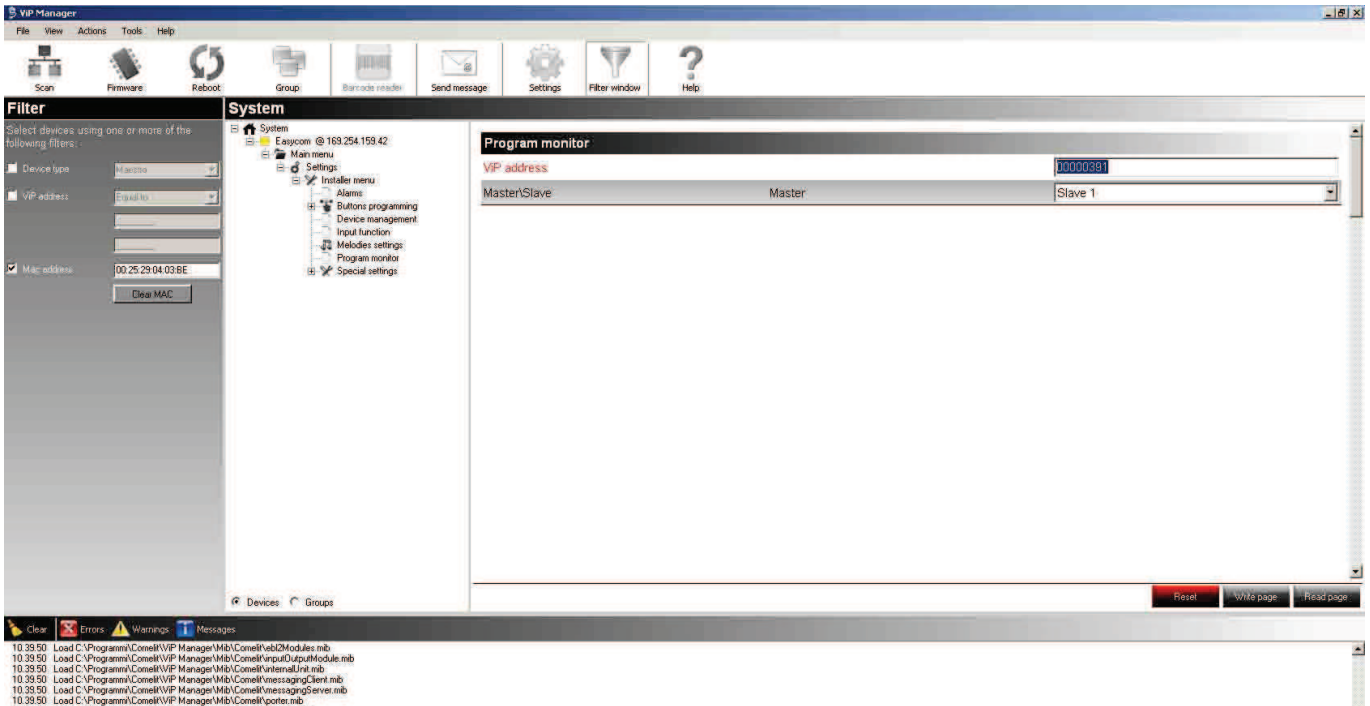
8. Enter the Mac address for the Easycom door-entry phone art. 6203 you wish to program.



9. Expand the tree menu **Easycom > Main menu > Settings > Installer menu > Program monitor**.



10. In the **ViP address** box, enter the ViP address you wish to assign to the Easycom internal unit art. 6203.



11. Click the button **Write page** to confirm and save.

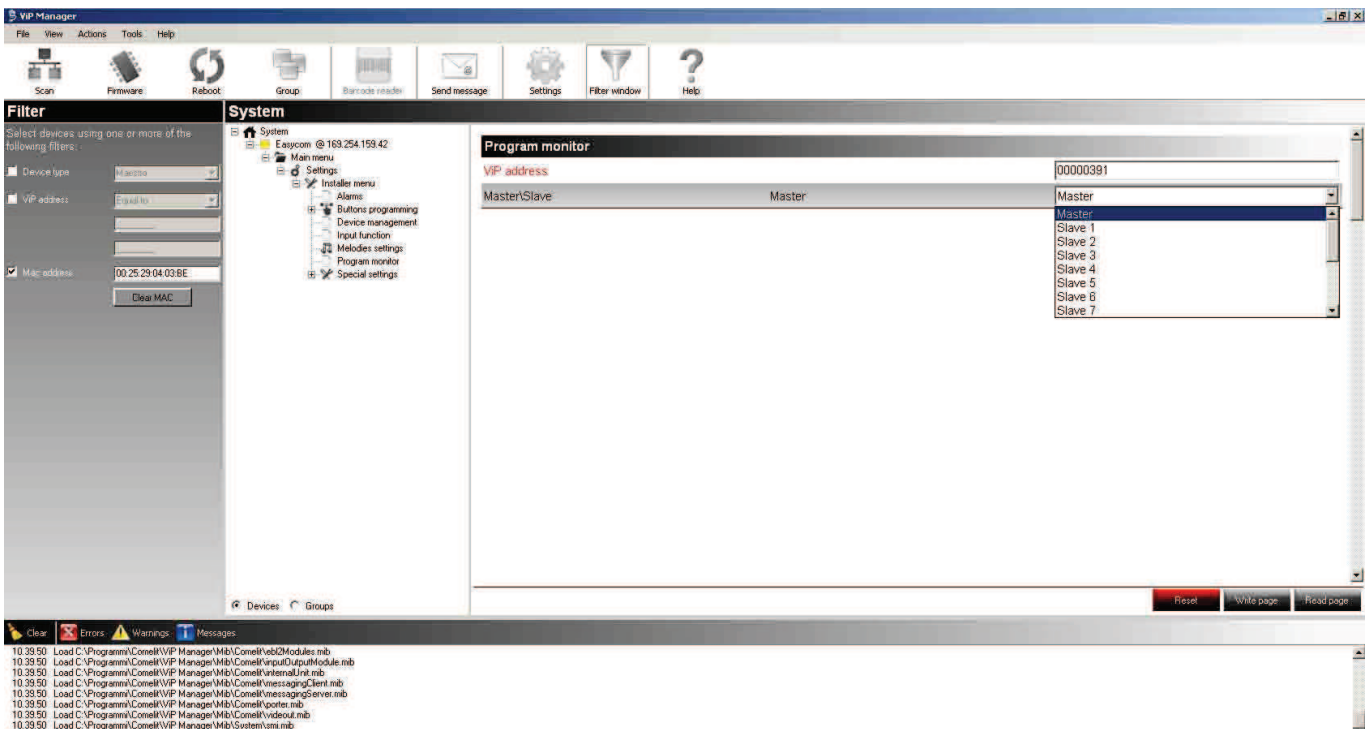
12. Run a system scan.

13. Once again, expand the tree menu **Easycom > Main menu > Settings > Installer menu > Program monitor**.

14. From the drop-down menu, select whether to set the door-entry phone as Master or Slave.

Master: By Master we mean the main monitor in an apartment. Every Master monitor in the system must have a different ViP code. The Master monitor manages all external unit / switchboard / intercom calls. It is essential that, in an apartment, one of the monitors is set as a Master.

Slave: By Slave we mean one or more secondary monitors (MAX. 15) in an apartment. **Each Slave has the same ViP address as the Master monitor.**



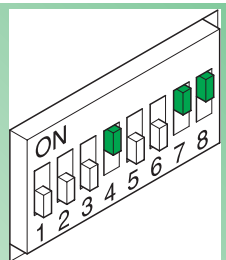
15. Click the button **Write page** to confirm and save.

» In the list of system devices, the Easycom door-entry phone selected previously now appears with the green icon and with the ViP address 00000391 assigned to it.

Dip switch programming table

Codice / Code	Dip switch ON	Nome / Name	Codice / Code	Dip switch ON	Nome / Name	Codice / Code	Dip switch ON	Nome / Name	Codice / Code	Dip switch ON	Nome / Name
1	1		65	1.7		129	1.8		193	1,7,8	
2	2		66	2.7		130	2.8		194	2,7,8	
3	1,2		67	1,2,7		131	1,2,8		195	1,2,7,8	
4	3		68	3.7		132	3.8		196	3,7,8	
5	1,3		69	1,3,7		133	1,3,8		197	1,3,7,8	
6	2,3		70	2,3,7		134	2,3,8		198	2,3,7,8	
7	1,2,3		71	1,2,3,7		135	1,2,3,8		199	1,2,3,7,8	
8	4		72	4.7		136	4.8		200	4,7,8	
9	1,4		73	1,4,7		137	1,4,8		201	1,4,7,8	
10	2,4		74	2,4,7		138	2,4,8		202	2,4,7,8	
11	1,2,4		75	1,2,4,7		139	1,2,4,8		203	1,2,4,7,8	
12	3,4		76	3,4,7		140	3,4,8		204	3,4,7,8	
13	1,3,4		77	1,3,4,7		141	1,3,4,8		205	1,3,4,7,8	
14	2,3,4		78	2,3,4,7		142	2,3,4,8		206	2,3,4,7,8	
15	1,2,3,4		79	1,2,3,4,7		143	1,2,3,4,8		207	1,2,3,4,7,8	
16	5		80	5.7		144	5.8		208	5,7,8	
17	1,5		81	1,5,7		145	1,5,8		209	1,5,7,8	
18	2,5		82	2,5,7		146	2,5,8		210	2,5,7,8	
19	1,2,5		83	1,2,5,7		147	1,2,5,8		211	1,2,5,7,8	
20	3,5		84	3,5,7		148	3,5,8		212	3,5,7,8	
21	1,3,5		85	1,3,5,7		149	1,3,5,8		213	1,3,5,7,8	
22	2,3,5		86	2,3,5,7		150	2,3,5,8		214	2,3,5,7,8	
23	1,2,3,5		87	1,2,3,5,7		151	1,2,3,5,8		215	1,2,3,5,7,8	
24	4,5		88	4,5,7		152	4,5,8		216	4,5,7,8	
25	1,4,5		89	1,4,5,7		153	1,4,5,8		217	1,4,5,7,8	
26	2,4,5		90	2,4,5,7		154	2,4,5,8		218	2,4,5,7,8	
27	1,2,4,5		91	1,2,4,5,7		155	1,2,4,5,8		219	1,2,4,5,7,8	
28	3,4,5		92	3,4,5,7		156	3,4,5,8		220	3,4,5,7,8	
29	1,3,4,5		93	1,3,4,5,7		157	1,3,4,5,8		221	1,3,4,5,7,8	
30	2,3,4,5		94	2,3,4,5,7		158	2,3,4,5,8		222	2,3,4,5,7,8	
31	1,2,3,4,5		95	1,2,3,4,5,7		159	1,2,3,4,5,8		223	1,2,3,4,5,7,8	
32	6		96	6.7		160	6.8		224	6,7,8	
33	1,6		97	1,6,7		161	1,6,8		225	1,6,7,8	
34	2,6		98	2,6,7		162	2,6,8		226	2,6,7,8	
35	1,2,6		99	1,2,6,7		163	1,2,6,8		227	1,2,6,7,8	
36	3,6		100	3,6,7		164	3,6,8		228	3,6,7,8	
37	1,3,6		101	1,3,6,7		165	1,3,6,8		229	1,3,6,7,8	
38	2,3,6		102	2,3,6,7		166	2,3,6,8		230	2,3,6,7,8	
39	1,2,3,6		103	1,2,3,6,7		167	1,2,3,6,8		231	1,2,3,6,7,8	
40	4,6		104	4,6,7		168	4,6,8		232	4,6,7,8	
41	1,4,6		105	1,4,6,7		169	1,4,6,8		233	1,4,6,7,8	
42	2,4,6		106	2,4,6,7		170	2,4,6,8		234	2,4,6,7,8	
43	1,2,4,6		107	1,2,4,6,7		171	1,2,4,6,8		235	1,2,4,6,7,8	
44	3,4,6		108	3,4,6,7		172	3,4,6,8		236	3,4,6,7,8	
45	1,3,4,6		109	1,3,4,6,7		173	1,3,4,6,8		237	1,3,4,6,7,8	
46	2,3,4,6		110	2,3,4,6,7		174	2,3,4,6,8		238	2,3,4,6,7,8	
47	1,2,3,4,6		111	1,2,3,4,6,7		175	1,2,3,4,6,8		239	1,2,3,4,6,7,8	
48	5,6		112	5,6,7		176	5,6,8		240	5,6,7,8	
49	1,5,6		113	1,5,6,7		177	1,5,6,8		241	1,5,6,7,8	
50	2,5,6		114	2,5,6,7		178	2,5,6,8		242	2,5,6,7,8	
51	1,2,5,6		115	1,2,5,6,7		179	1,2,5,6,8		243	1,2,5,6,7,8	
52	3,5,6		116	3,5,6,7		180	3,5,6,8		244	3,5,6,7,8	
53	1,3,5,6		117	1,3,5,6,7		181	1,3,5,6,8		245	1,3,5,6,7,8	
54	2,3,5,6		118	2,3,5,6,7		182	2,3,5,6,8		246	2,3,5,6,7,8	
55	1,2,3,5,6		119	1,2,3,5,6,7		183	1,2,3,5,6,8		247	1,2,3,5,6,7,8	
56	4,5,6		120	4,5,6,7		184	4,5,6,8		248	4,5,6,7,8	
57	1,4,5,6		121	1,4,5,6,7		185	1,4,5,6,8		249	1,4,5,6,7,8	
58	2,4,5,6		122	2,4,5,6,7		186	2,4,5,6,8		250	2,4,5,6,7,8	
59	1,2,4,5,6		123	1,2,4,5,6,7		187	1,2,4,5,6,8		251	1,2,4,5,6,7,8	
60	3,4,5,6		124	3,4,5,6,7		188	3,4,5,6,8		252	3,4,5,6,7,8	
61	1,3,4,5,6		125	1,3,4,5,6,7		189	1,3,4,5,6,8		253	1,3,4,5,6,7,8	
62	2,3,4,5,6		126	2,3,4,5,6,7		190	2,3,4,5,6,8		254	2,3,4,5,6,7,8	
63	1,2,3,4,5,6		127	1,2,3,4,5,6,7		191	1,2,3,4,5,6,8		255	1,2,3,4,5,6,7,8	
64	7		128	8		192	7,8				

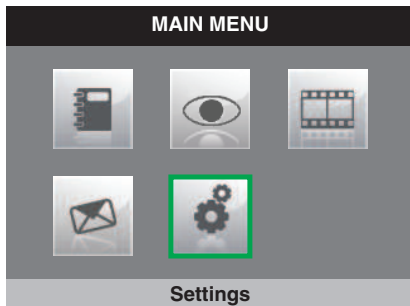
EXAMPLE setting code 200.



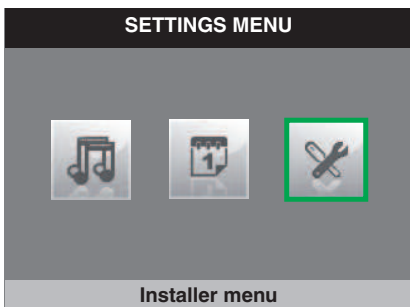
Planux monitor installer settings

Accessing the installer menu

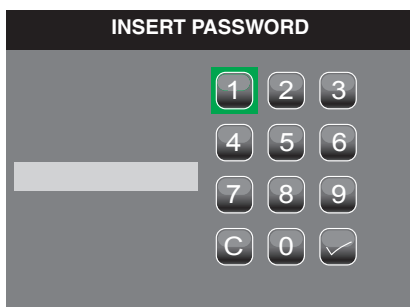
1. Press button and select the **Settings** menu using buttons , .



2. Press button to access and select the **Installer menu** using buttons , .

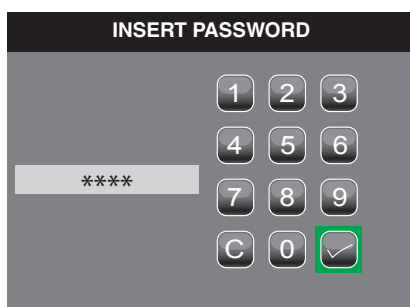


3. Press to access it.

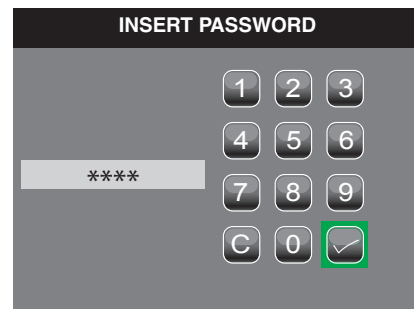


The password for the installer menu is 0000. The password cannot be changed.

4. Select the digits using , and enter by pressing .

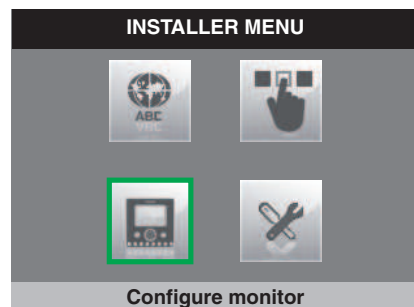


5. When you have finished entering digits, select the icon .

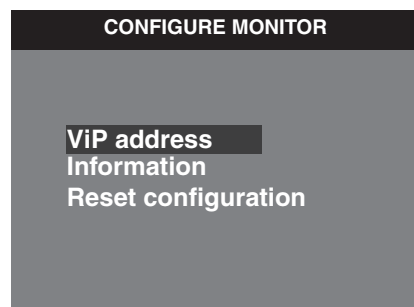


Programming the ViP code for main Planux monitors

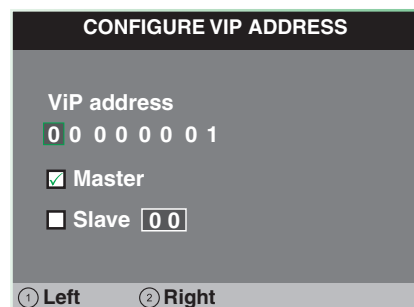
1. Access the installer menu.
2. Select the **Program monitor** menu using buttons , .



3. Press to access it.

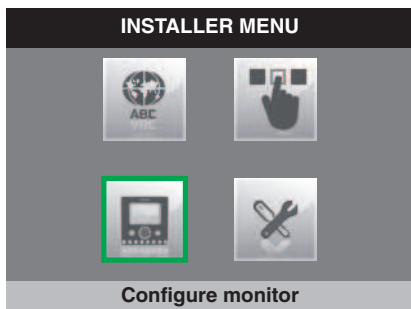


4. Press button to access the **ViP address** menu.
5. Change the address using buttons , . Use buttons , to pass from one digit to the next.

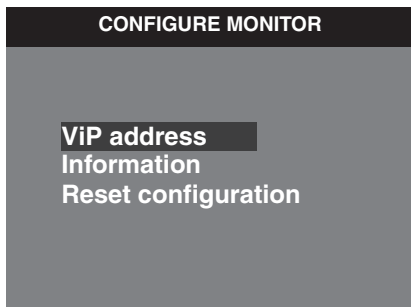


Programming the ViP code for secondary Planux monitors

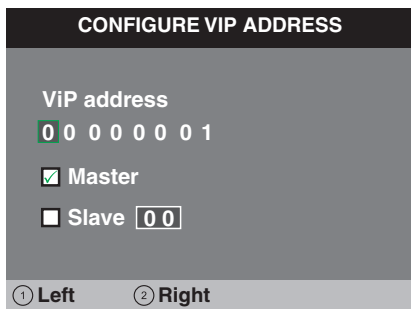
1. Access the installer menu.
2. Select the **Program monitor** menu using buttons ▲, ▼.



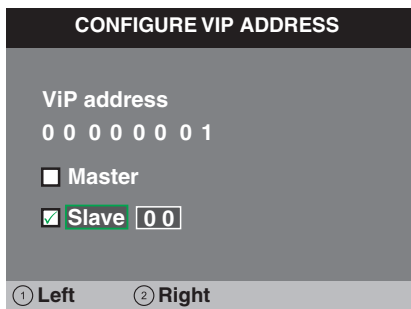
3. Press ⏵ to access it.
4. Press button ⏵ to access the **ViP address** menu.



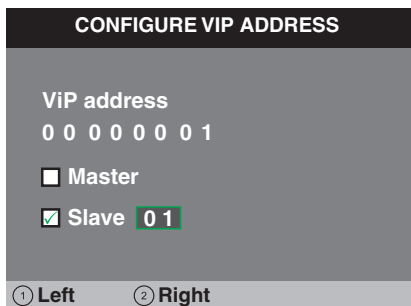
5. Set the logic address for the main monitor in the same residential unit using buttons ▲, ▼. Use buttons ①, ② to pass from one digit to the next.



6. Move over the **Slave** option using buttons ①, ② and press ⏵ to confirm.



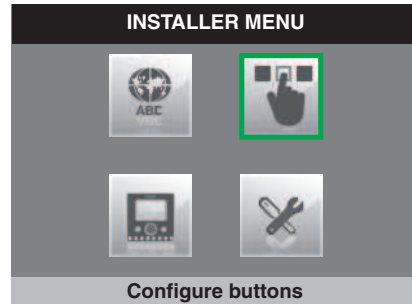
7. Move over the **Slave address** option using buttons ①, ② and change the address using buttons ▲, ▼.



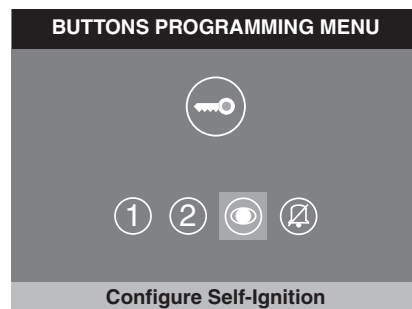
Configuring 1 - 2 or Self-ignition buttons

1 - 2 and Self-ignition buttons are programmed in the same way and can perform the same functions. The programming procedure, which applies to all 3 buttons, is described below.

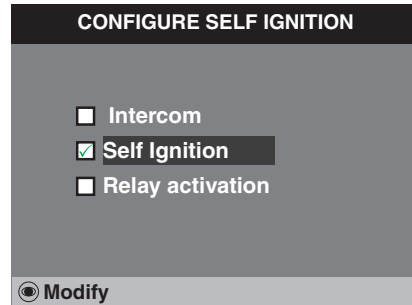
1. Access the installer menu.
2. Select the **Program buttons** menu by pressing ▲, ▼ and press ⏵ to access it.



3. Select the **Configure self ignition** menu by pressing ▲, ▼ and press ⏵ to access it.



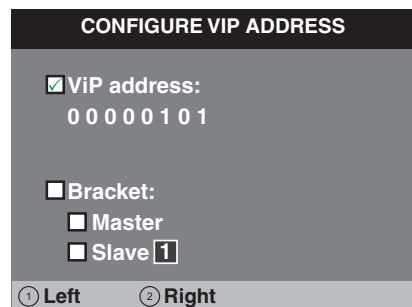
4. Select the function you wish to assign to the button using ▲, ▼ and press ⏵ to confirm.



5. Once the desired function has been selected, press ⏴ to change the settings.

If the Intercom function is selected:

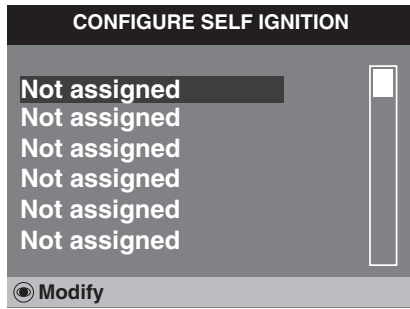
- ▶ Select the fields which can be changed using ①, ② and change the value using ▲, ▼ or ⏵.



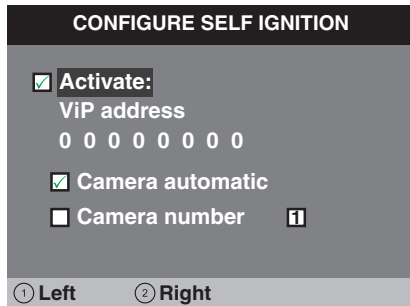
- The **ViP address** function determines the address of the internal unit to be called once the button is pressed.
- The **Bracket** function determines whether to call the main or secondary internal unit with the same ViP address.

If the Self-ignition function is selected:

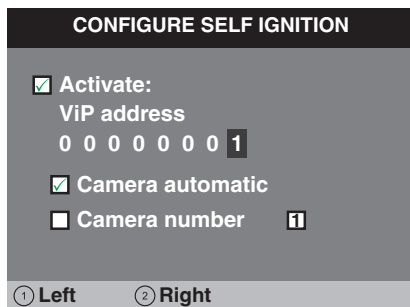
1. Press the button.



2. Press to activate the function.

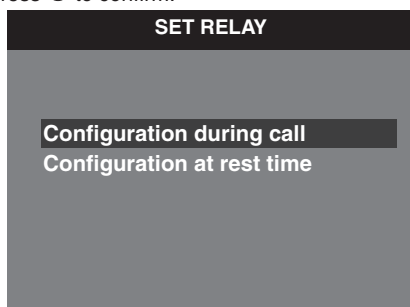


3. Move over the ViP address using buttons , and change it using buttons , entering the ViP address of the external unit for which you wish to view the camera with the Self-ignition function.

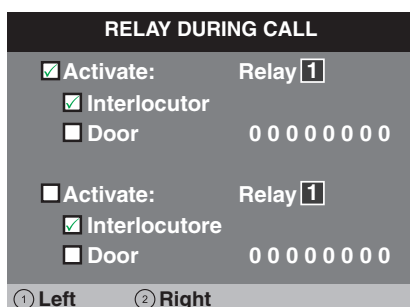


If the Relay activation function is selected:

1. Select the mode for which you wish to change the function using , and press to confirm.



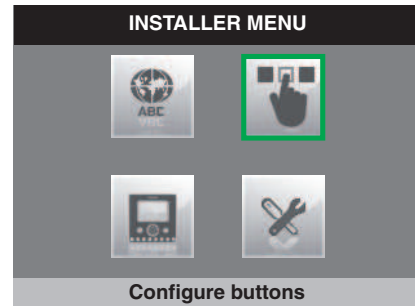
2. Select the fields which can be changed using , and change the value using , or .



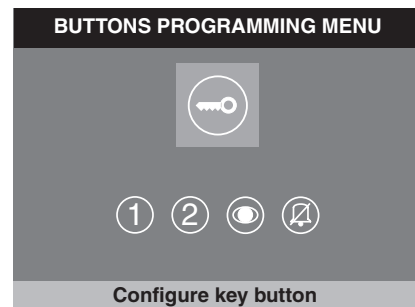
Configuring key button

1. Access the installer menu.

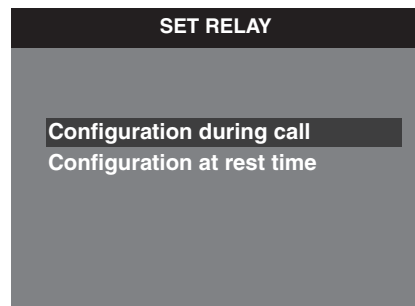
2. Select the **Program buttons** menu by pressing , and press to access it.



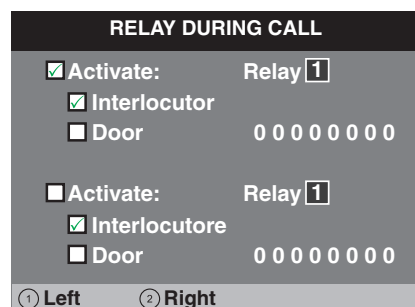
3. Press to access it.



4. Select the mode for which you wish to change the function using , and press to confirm.



5. Select the fields which can be changed using , and change the value using , or .

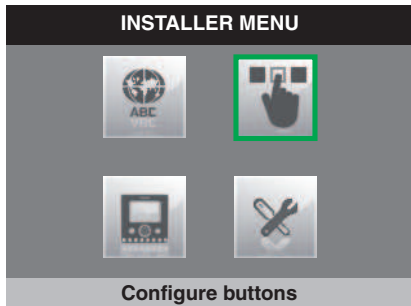


6. Press to exit and save the changes.

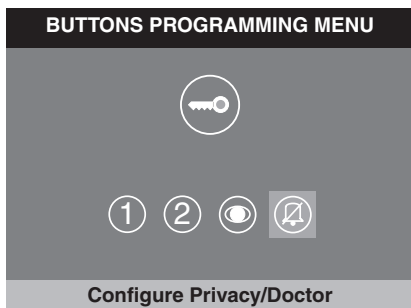
Configuring the Privacy / Doctor button

The Privacy function disables the ringtone for calls from the external unit and intercom. The Doctor function, as well as disabling the door-entry phone ringtone in the same way as the Privacy function, also enables automatic activation of the lock-release in response to a call from the external unit.

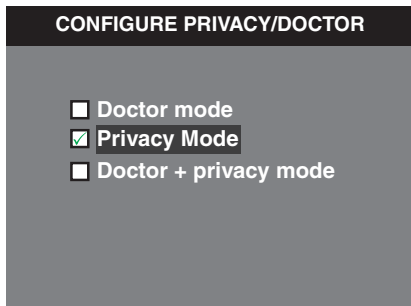
1. Access the installer menu.
2. Select the **Program buttons** menu by pressing \uparrow , \downarrow and press \checkmark to access it.



3. Select the **Privacy / Doctor settings** menu by pressing \uparrow , \downarrow and press \checkmark to access it.



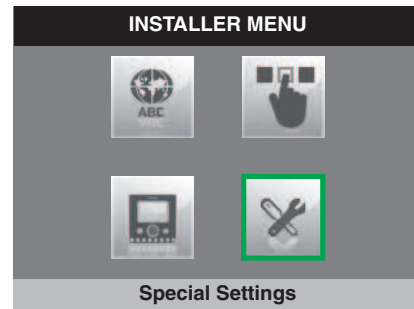
4. Select the function you wish to assign to the button using \uparrow , \downarrow and press \checkmark to confirm.



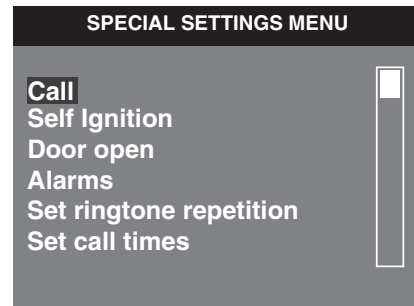
5. Press ESC to exit and save the changes.

Configuring the intercom directory

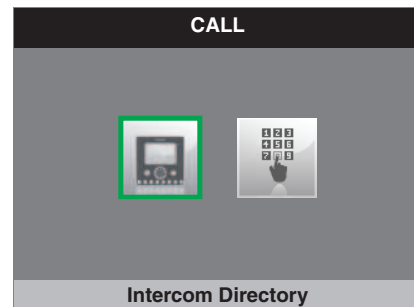
1. Access the installer menu.
2. Select the **Special settings** menu by pressing \uparrow , \downarrow and press \checkmark to access it.



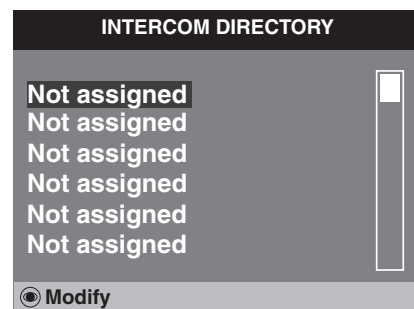
3. Press button \checkmark to access the **Call** menu.



4. Press button \checkmark to access the **Intercom directory** menu.



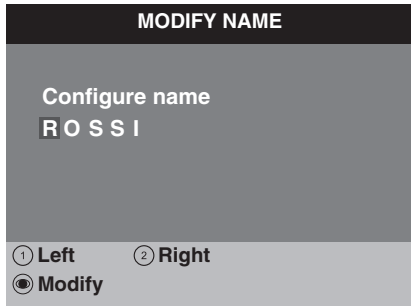
5. Press the ESC button.



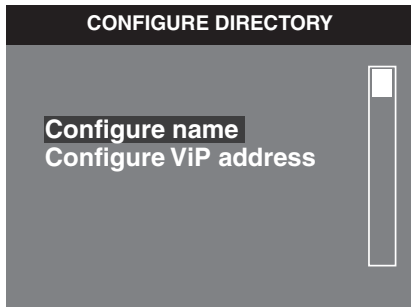
6. Press button \checkmark to access the **Configure name** menu.



7. Enter the desired name using buttons ▲, ▼ to change the letters, ①, ② to move right or left and ● to delete.

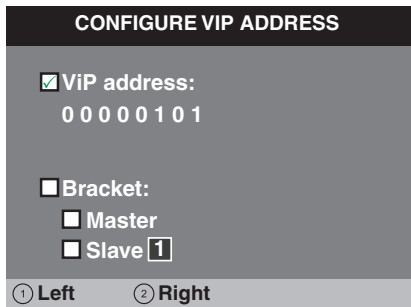


8. Press button ⏪ to return to the previous menu.



9. Select the **Configure ViP address** menu by pressing ▲, ▼ and press ✓ to access it.

10. Select the fields which can be changed using ①, ② and change the value using ▲, ▼ or ✓.

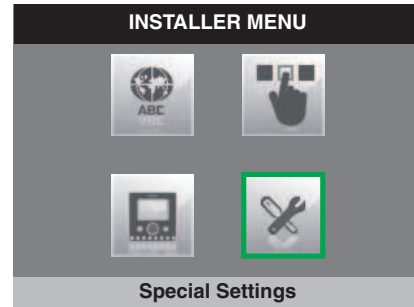


- The **ViP address** function determines the address of the internal unit to be called once the button is pressed.
- The **Bracket** function determines whether to call the main or secondary internal unit with the same ViP address.

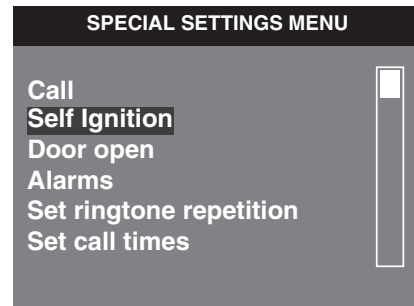
11. Press ⏪ to exit and save the changes.

Configuring the self-ignition directory

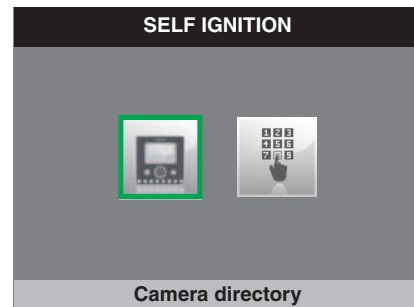
1. Access the installer menu.
2. Select the **Special settings** menu by pressing ▲, ▼ and press ✓ to access it.



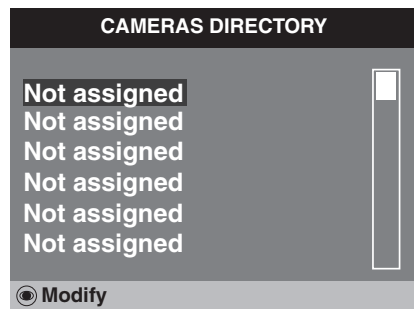
3. Select the Self-ignition menu by pressing ▲, ▼ and press ✓ to access it.



4. Press button ✓ to access the **Cameras directory** menu.



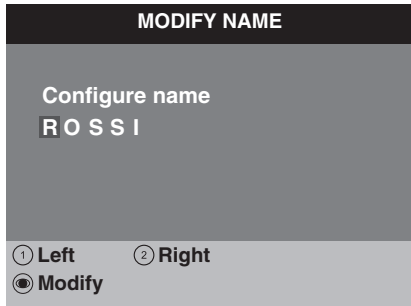
5. Press the ● button.



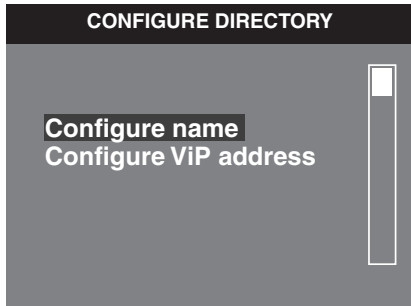
6. Press button ✓ to access the **Configure name** menu.



7. Enter the desired name using buttons ▲, ▼ to change the letters, ①, ② to move right or left and Ⓜ to delete.

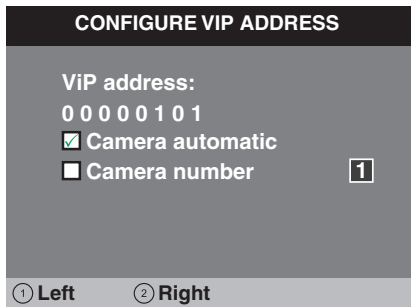


8. Press button Ⓜ to return to the previous menu.



9. Select the **Configure ViP address** menu by pressing ▲, ▼ and press Ⓜ to access it.

10. Select the fields which can be changed using ①, ② and change the value using ▲, ▼ or Ⓜ.



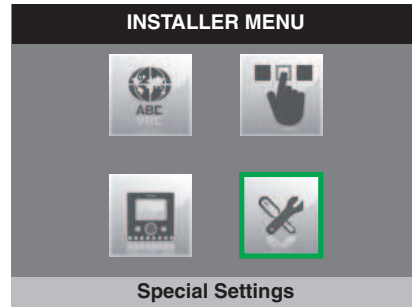
- The **ViP address** functions determine the address of external unit art. 4662C or remote camera module art. 1445.
- Select the **Camera automatic** function to link the camera for external unit art. 4662C.
- Select the **Camera number** function and enter the input number from the 4 available when using a remote camera module art. 1445.

11. Press Ⓜ to exit and save the changes.

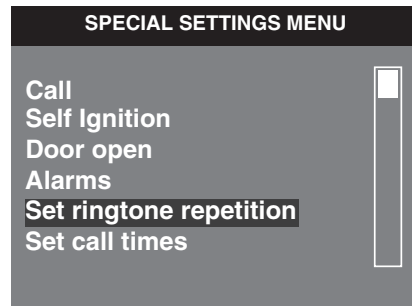
Setting ringtone repetition

1. Access the installer menu.

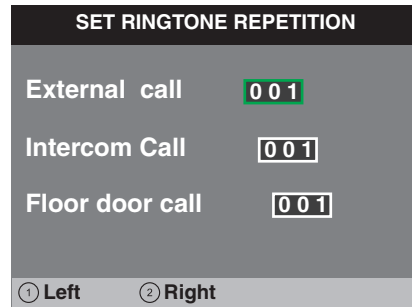
2. Select the **Special settings** menu by pressing ▲, ▼ and press Ⓜ to access it.



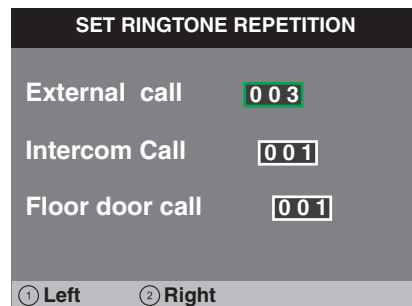
3. Select the **Set tone repetition** menu by pressing ▲, ▼ and press Ⓜ to access it.



4. Use buttons ①, ② to select for which type of call you wish to set the function.



5. Use buttons ▲, ▼ to change the number of repetitions as desired for the type of call selected.

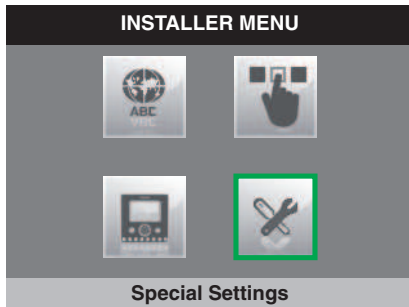


6. Press Ⓜ to exit and save the changes.

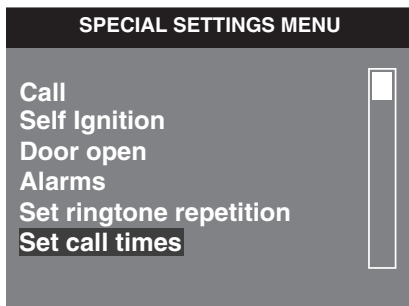
Setting call times

Within this menu, the time can be set for various functions. The **Reply waiting time** setting is shown below, as an example which also applies for the other functions.

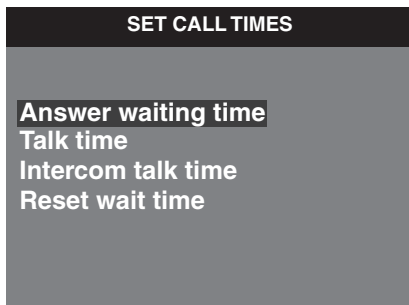
1. Access the installer menu.
2. Select the **Special settings** menu by pressing \uparrow , \downarrow and press \checkmark to access it.



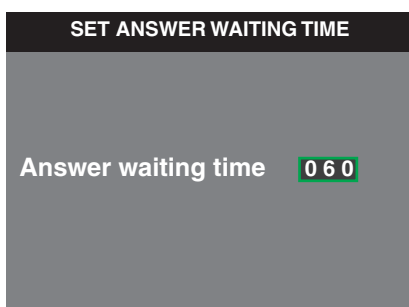
3. Select the **Set call times** menu by pressing \uparrow , \downarrow and press \checkmark to access it.



4. Select the **Reply waiting time** menu by pressing \uparrow , \downarrow and press \checkmark to access it.



5. Change the value using buttons \uparrow , \downarrow .



6. Press ⏻ to exit and save the changes.

- **Answer waiting time:** *this is the time for which a call from the external or internal unit remains active and waiting for the user to answer.*

- **Talk time:** *this is the time for which the audio remains active, once a call from the external unit has been accepted.*

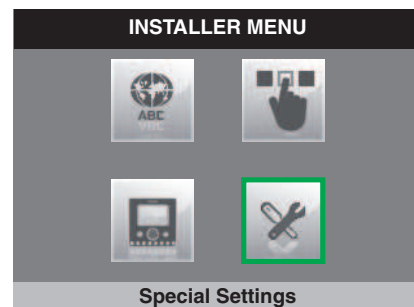
- **Intercom talk time:** *this is the time for which the audio remains active, once a call from an internal unit or from the switchboard has been accepted.*

- **Reset wait time:** *this is the time for which the audio remains active once a call has ended. The conversation can be resumed if the audio button is pressed again within the set time period.*

Setting automatic answer

If the **Automatic reply** function is enabled, the audio will be activated automatically on receipt of a call from the external unit, internal unit or switchboard.

1. Access the installer menu.
2. Select the **Special settings** menu by pressing \uparrow , \downarrow and press \checkmark to access it.



3. Select the **Set automatic reply** menu by pressing \uparrow , \downarrow and press \checkmark to access it.



4. Press \checkmark to enable it.

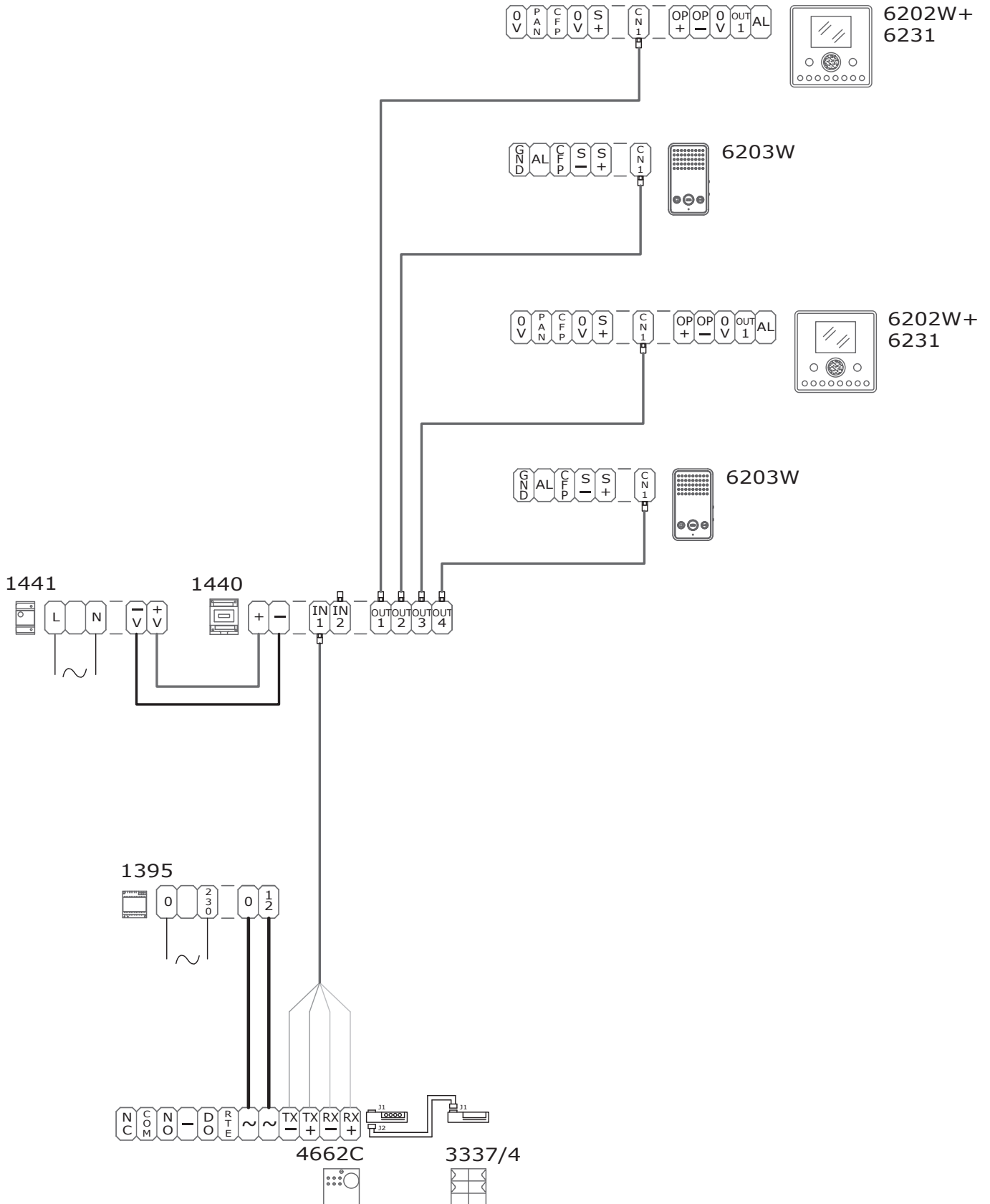


5. Press ⏻ to exit and save the changes.

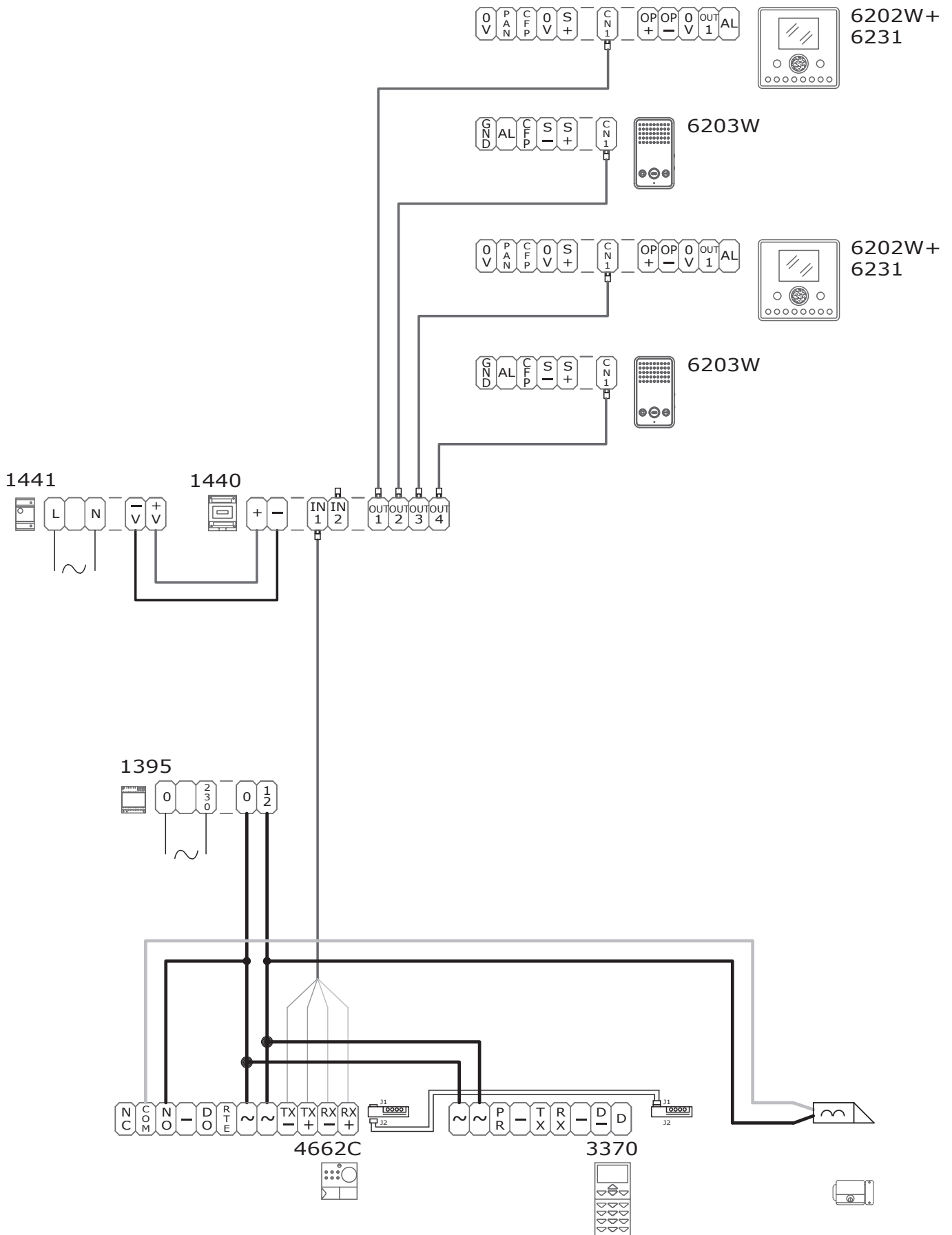
Chapter 6: Connection diagrams

VIP/001

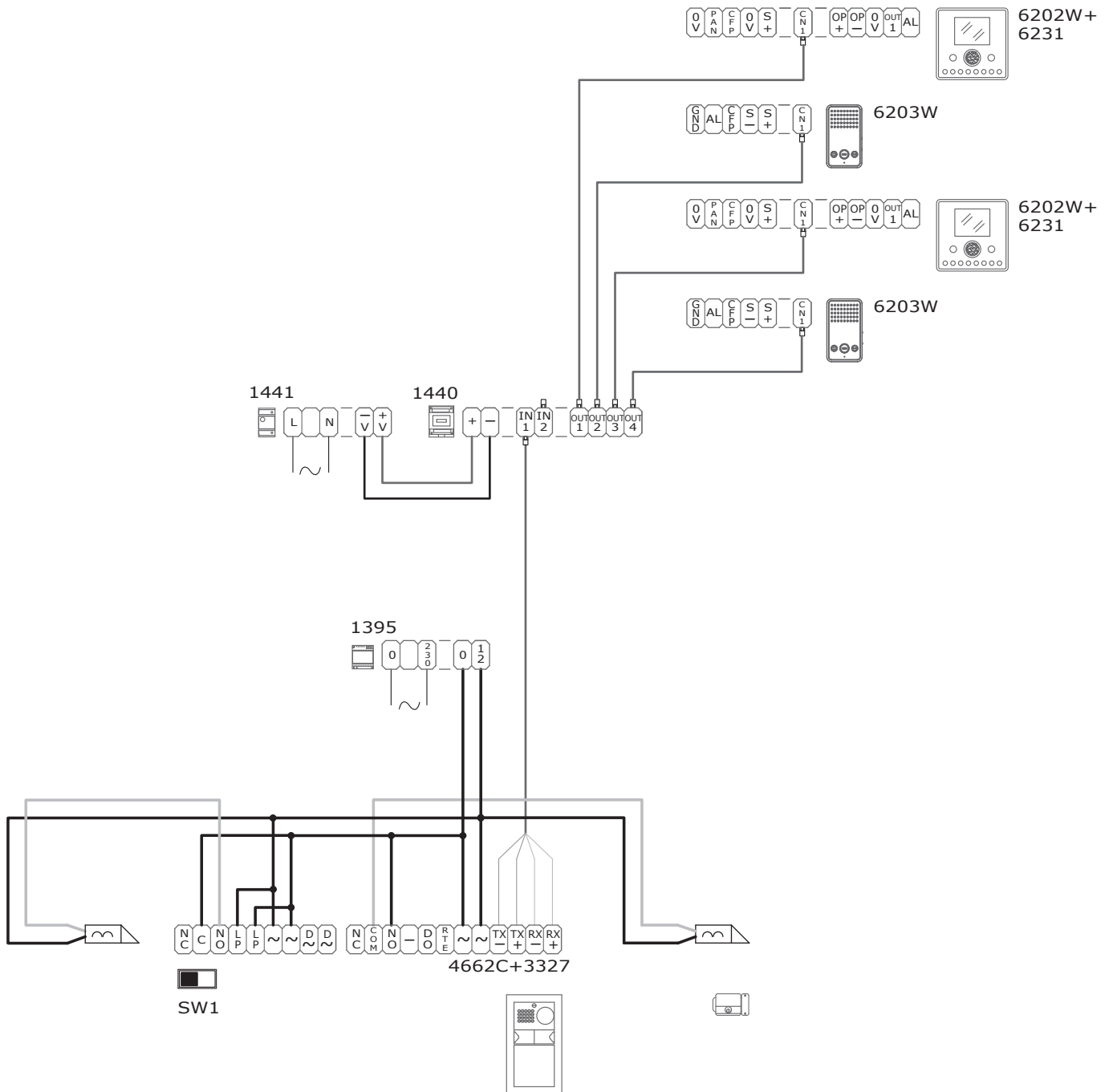
Connecting Powercom call button module art. 3337/3-4-6



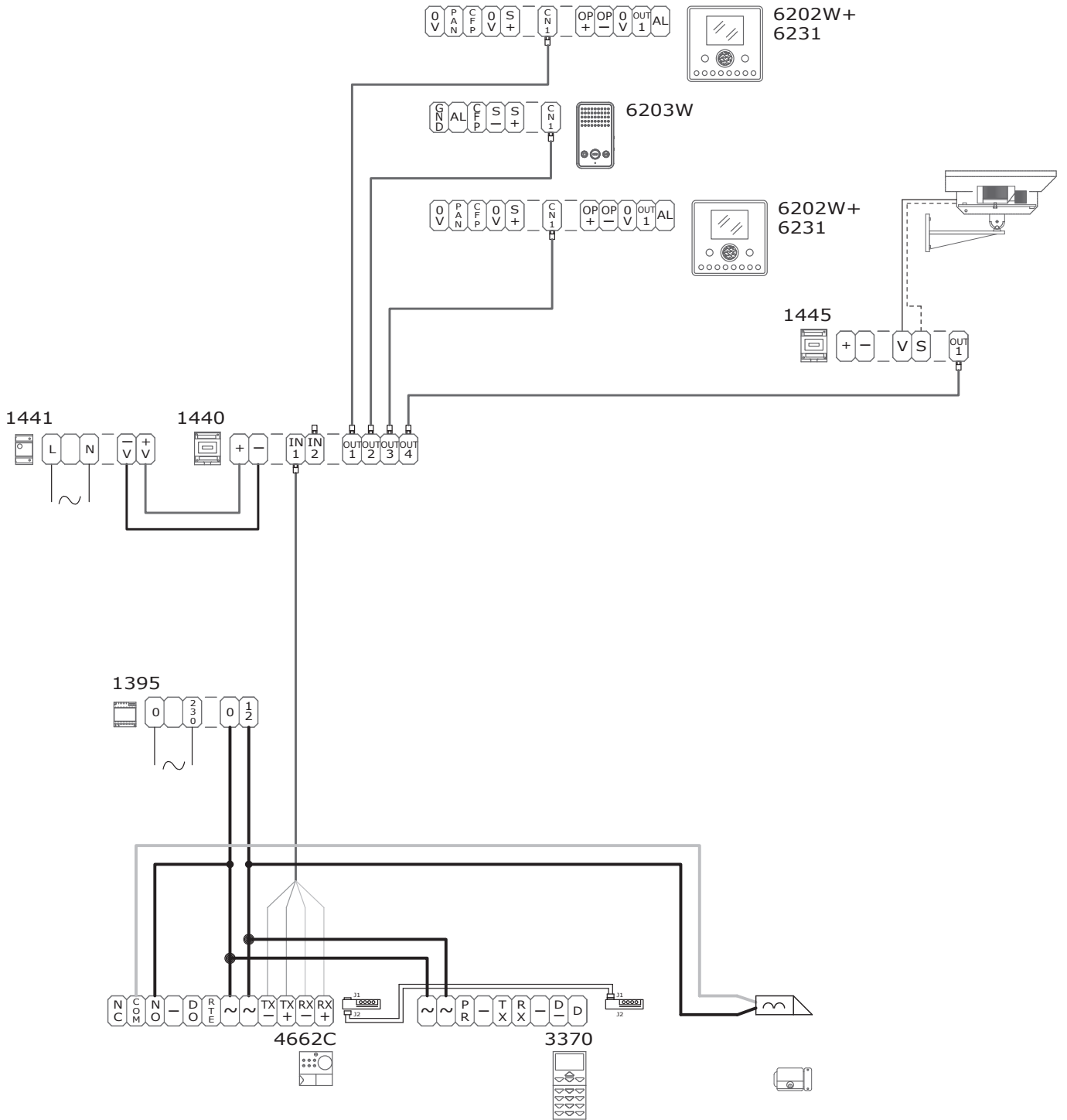
Connecting digital call module art. 3370



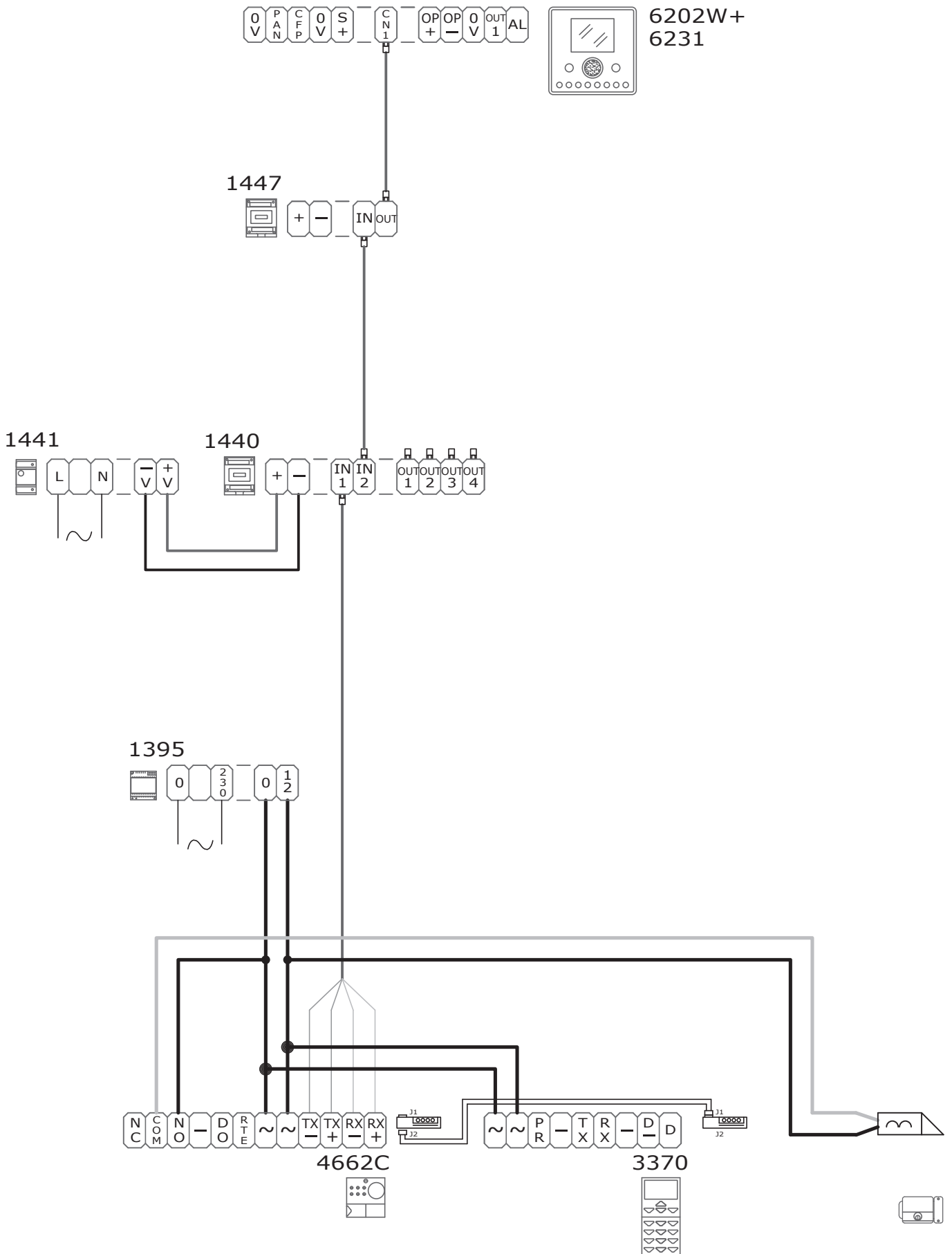
Connecting backlit module with actuator relay art. 3327



Connecting remote cameras module art. 1445

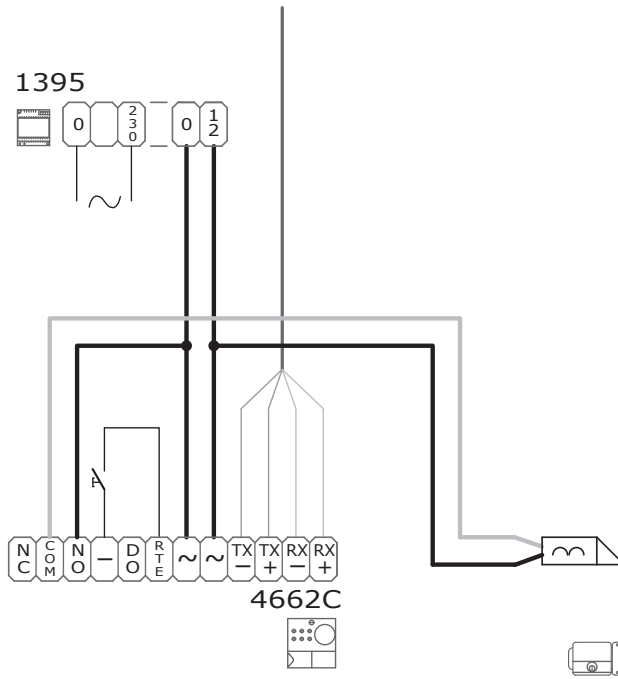


Connecting repeater module art. 1447



VIP/RTE

Request to exit (RTE) button input variant



VIP/FMP

Planux ViP priority calls variant

