



ATyS range

ATyS *r*, ATyS *d*, ATyS *t*, ATyS *g*, ATyS *p*
from 125 to 3200 A

Accessories

Terminal shrouds

Use

IP2X protection against direct contact with terminals or connecting parts.

Advantages

Perforations allow remote thermographic inspection without the need to remove the shrouds.

Rating (A)	Frame size	No. of poles	Position	Reference
125 ... 200	B3	3 P	top / bottom / front (I) / rear (II)	2694 3014 ⁽¹⁾⁽²⁾
125 ... 200	B3	4 P	top / bottom / front (I) / rear (II)	2694 4014 ⁽¹⁾⁽²⁾
250 ... 400	B4	3 P	top / bottom / front (I) / rear (II)	2694 3021 ⁽¹⁾⁽²⁾
250 ... 400	B4	4 P	top / bottom / front (I) / rear (II)	2694 4021 ⁽¹⁾⁽²⁾
500 ... 630	B5	3 P	top / bottom / front (I) / rear (II)	2694 3051 ⁽¹⁾⁽²⁾
500 ... 630	B5	4 P	top / bottom / front (I) / rear (II)	2694 4051 ⁽¹⁾⁽²⁾



access_206_a_2_cat

(1) For complete shrouding at front, rear, top and bottom, order quantity 4; if equipped with bridging bars order quantity 3.
(2) For top and bottom shrouding for the front only, order quantity 2.

Terminal screens

Use

Upstream and downstream protection against direct contact with terminals or connection parts.

For upstream and downstream protection, order quantity 1.

Rating (A)	Frame size	No. of poles	Position	Reference
125 ... 200	B3	3 P	top / bottom	1509 3012
125 ... 200	B3	4 P	top / bottom	1509 4012
250 ... 400	B4	3 P	top / bottom	1509 3025
250 ... 400	B4	4 P	top / bottom	1509 4025
500 ... 630	B5	3 P	top / bottom	1509 3063
500 ... 630	B5	4 P	top / bottom	1509 4063
800 ... 1250	B6	3 P	top / bottom	1509 3080
800 ... 1250	B6	4 P	top / bottom	1509 4080
1600	B7	3 P	top / bottom	1509 3160
1600	B7	4 P	top / bottom	1509 4160
2000 ... 3200	B8	3 P	top / bottom	1509 3200
2000 ... 3200	B8	4 P	top / bottom	1509 4200



access_207_a_2_cat

Bridging bars

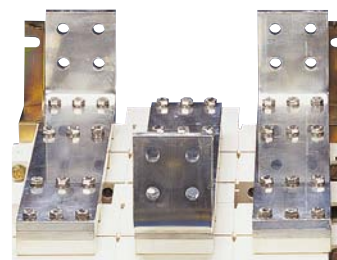
Use

For bridging power terminals on the upstream or downstream side of the switch.
One reference required per ATyS.

Rating (A)	Frame size	No. of poles	Section (mm)	Reference
125 ... 200	B3	3 P	20 x 2.5	4109 3019
125 ... 200	B3	4 P	20 x 2.5	4109 4019
250	B4	3 P	25 x 2.5	4109 3025
250	B4	4 P	25 x 2.5	4109 4025
315 ... 400	B4	3 P	32 x 5	4109 3039
315 ... 400	B4	4 P	32 x 5	4109 4039
500	B5	3 P	32 x 5	4109 3050
500	B5	4 P	32 x 5	4109 4050
630	B5	3 P	50 x 5	4109 3063
630	B5	4 P	50 x 5	4109 4063
800 ... 1000	B6	3 P	50 x 6	4109 3080
800 ... 1000	B6	4 P	50 x 6	4109 4080
1250	B6	3 P	60 x 8	4109 3120
1250	B6	4 P	60 x 8	4109 4120
1600	B7	3 P	90 x 10	4109 3160
1600	B7	4 P	90 x 10	4109 4160



access_205_a_2_cat



access_041_a_1_cat

Copper bar connection pieces

Use

For ratings 2000 to 3200 A.

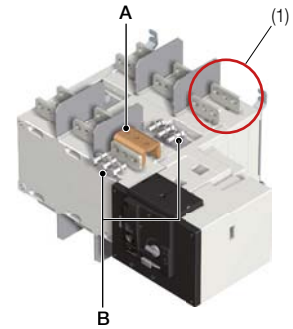
Enables:

- Flat connection: the connection pieces provide a link between the two power terminals of the same pole (Fig. 1).
- Edgewise connection: the connection pieces provide a link between the two power terminals of the same pole and an edgewise bar connection terminal.
- Top or bottom bridging between two poles (Fig. 3).

Once installed, the power terminal is connection ready.

For 3200 A rating, connection pieces (part A) are supplied as standard. Bolt sets must be ordered separately.

Fig. 1



(1) Single pole connection: 1 pole (top or bottom) comprises two power terminals which are to be linked with the copper connection kit.

Fig. 2

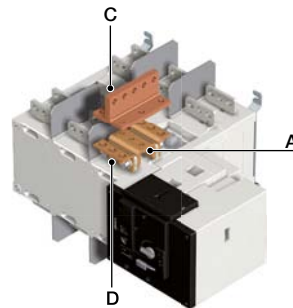
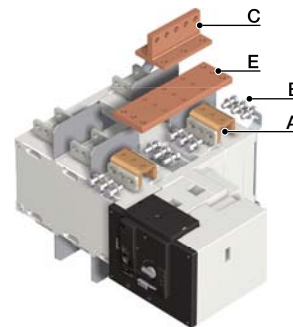


Fig. 3



	Reference	2000 – 2500 A			3200 A		
		Fig. 1	Fig. 2	Fig. 3	Fig. 1	Fig. 2	Fig. 3
		Connection		Bridging connection I - II	Connection		Bridging connection I - II
Connection - part A	2619 1200	1	1		2 ⁽²⁾	included	
Bolt kit 35 mm - part B	2699 1201	1 ⁽¹⁾		2 ⁽²⁾	1 ⁽¹⁾		2 ⁽²⁾
Bolt kit 45 mm - part B	2699 1200	1 ⁽¹⁾			1 ⁽¹⁾		
T + Bolt kit - part C	2629 1200		1	1		1	1
Bracket + bolt kit - part D	2639 1200		1			1	
Bar + bolt kit - part E	4109 0320			1			1

(1) Choose the bolt length according to the thickness of the bars being connected; if bar thickness is greater than 20 mm, 45 mm bolts are required.

(2) For bridging connections, quantity 2 pieces are required for creating the link between the two power terminals of the same pole for switch bodies I and II.

The quantities of the applicable pieces then need to be multiplied by the number of connection points (power terminals) in order to determine the total quantity required of each part.

Example: For a 4 pole 2500 A SIRCOVER with upstream edgewise connection (Fig. 2) and downstream bridging (Fig. 3), the following quantities will be required:

Part	Upstream edgewise quantity	Downstream bridging quantity	Total quantity
A	8	8	16
B	0	8	8
C	8	4	12
D	8	0	8
E	0	4	4

Solid neutral

Use

The solid neutral kit provides connection between the incoming and outgoing neutrals with no disconnection during transfer.

Rating (A)	Frame size	Reference
125 ... 200	B3	9509 0012
200 ... 315	B4	9509 0025
400	B4	9509 0040
500 ... 630	B5	9509 0063
800 ... 1000	B6	9509 0080
1250	B6	9509 0120
1600	B7	9509 0160

ATyS range

ATyS r, ATyS d, ATyS t, ATyS g, ATyS p

from 125 to 3200 A

Accessories (continued)

Autotransformer

Use

For applications without neutral, this autotransformer provides the 230 VAC required to power these ATyS products.

Rating (A)	Frame size	Reference
125 ... 3200	B3 ... B8	1599 4064

DC power supply

Use

Allows an ATyS to be supplied from a 12 or 24 VDC source. To be positioned as close as possible to the DC power supply source.

Rating (A)	Frame size	Operating voltage	Reference
125 ... 1600	B3 ... B7	12 VDC / 230 VAC	1599 5012
125 ... 1600	B3 ... B7	24 VDC / 230 VAC	1599 5112
125 ... 1600	B3 ... B7	48 VDC / 230 VAC	1599 5212

Voltage tapping and power supply kit

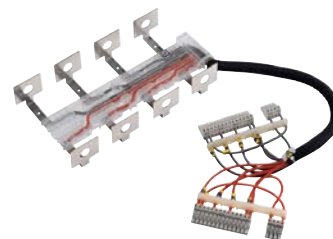
Use

For power supply and voltage measurement (4 wire, three-phase) for the ATyS t, g and p. Routing of the conductors is controlled, which means that no specific protective device is necessary for these connections.

The kit can be fitted on the top or bottom of the switch.

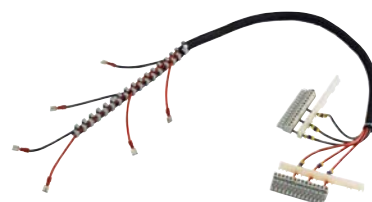
Note: the 3-pole version does not integrate the power supply.

125 to 630 A kit



atys_606_a_1_cat

800 to 3200 A kit



atys_603_a_2_cat

For ATyS t, g and ATyS p - 3 pole

Rating (A)	Frame size	Reference
125 ... 200	B3	1559 3012
250	B4	1559 3025
315 ... 400	B4	1559 3040
500 ... 630	B5	1559 3063
800 ... 1000	B6	1559 3080
1250	B6	1559 3120
1600	B7	1559 3160
2000 ... 3200	B8	1559 3200

For ATyS t, g and ATyS p - 4 pole

Rating (A)	Frame size	Reference
125 ... 200	B3	1559 4012
250	B4	1559 4025
315 ... 400	B4	1559 4040
500 ... 630	B5	1559 4063
800 ... 1000	B6	1559 4080
1250	B6	1559 4120
1600	B7	1559 4160
2000 ... 3200	B8	1559 4200

Voltage relay

Use

The DS is a voltage relay for monitoring a single power supply.

If it detects a fault in the source, the default relay contact closes.

Rating (A)	Reference
DS	192X 0056



atys_762_a_1_cat

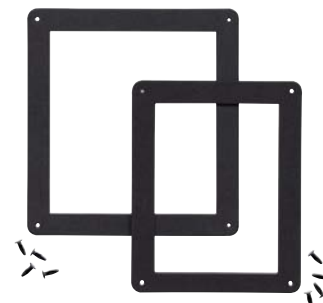
Door protective surround

Use

Door surround to provide a clean and safe finish to the panel's cut-out.

For ATyS		
Rating (A)	Frame size	Reference
125 ... 630	B3 ... B5	1529 0012
800 ... 3200	B6 ... B8	1529 0080

For ATyS d, t, g and p		
Rating (A)	Frame size	Reference
125 ... 630	B3 ... B5	1539 0012
800 ... 3200	B6 ... B8	1539 0080



atys_595_a_2_cat

Auxiliary contact

Use

Pre-break and signalling of positions I and II: each reference provides 1 NO/NC auxiliary contact for positions I and II. Possibility to install up to 2 auxiliary contacts for each position.

Low level AC: contact us. ATyS are supplied with 1 NO aux contact for all three positions as standard.

Rating (A)	Frame size	Nominal current (A)	Operating current I _e (A)			
			250 VAC AC-13	400 VAC AC-13	24 VDC DC-13	48 VDC DC-13
125 ... 3200	B3 ... B8	16	12	8	14	6

Rating (A)	Frame size	Type of mounting	Reference
125 ... 630	B3 ... B5	Customer fit	1599 0502
800 ... 1600	B6 ... B7	Customer fit	1599 0532
2000 ... 3200	B8	-	2 AC per position fitted as standard



800 to 1600 A

If additional auxiliary contacts are required please consult us.



125 to 630 A

access_396_a

access_397_a

Mounting spacers

Use

Increases the distance between the rear power terminals and the backplate by 1 cm.

This accessory may also be used to replace the original mounting spacers.

Rating (A)	Frame size	Description of accessories	Reference
125 ... 630	B3 ... B5	1 set of 2 spacers	1509 0001



atys_009_a_2_cat

3 position padlocking (I - 0 - II)

Use

Enables the product to be padlocked in positions 0, I and II (factory fitted).

Rating (A)	Frame size	Reference
125 ... 630	B3 ... B5	9599 0003
800 ... 3200	B6 ... B8	9599 0004



atys_867_a

Key handle interlocking system

Use

With the product in manual mode, it enables locking in position 0 using a RONIS EL11AP lock (factory fitted).

As standard, locking in position 0.
 With the 3 position padlocking accessory: key interlocking in I, 0 & II.

Rating (A)	Frame size	Reference
125 ... 630	B3 ... B5	9599 1006
800 ... 3200	B6 ... B8	9599 1004



atys_866_a

ATyS range

ATyS r, ATyS d, ATyS t, ATyS g, ATyS p

from 125 to 3200 A

Accessories (continued)

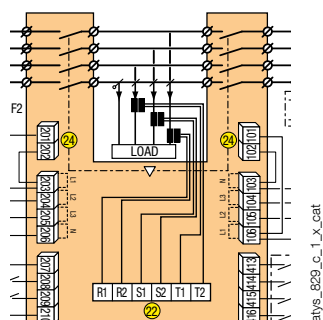
Current transformer

Use - for ATyS p only

Used with ATyS p units, these current transformers enable information to be obtained on the load current.

References

See page 584.



atys_b29_c_1_x_cat



trafo_025_a_2_cat

trafo_077_b_1_cat

Plug-in optional modules

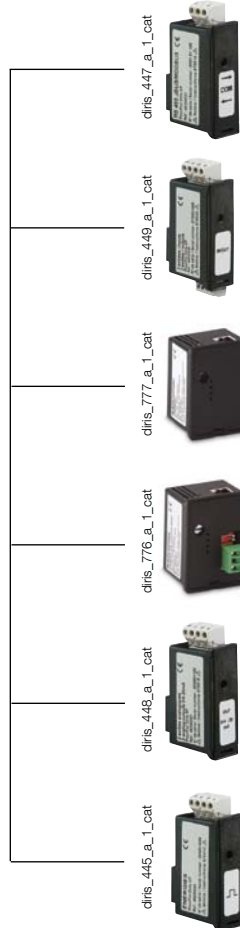
Use - for ATyS p only

Number of modules per device

A maximum of four modules can be fitted to each ATyS p, unless you are using either Ethernet communication module. In this case, you can connect up to 2 modules as well as the Ethernet communication module.



atys_016_c_1_cat



RS485 JBUS / MODBUS® communication

- RS485 link with JBUS / MODBUS® protocol (speed up to 38400 bauds).

2 inputs - 2 outputs

- 2 inputs and 2 outputs (programmable) on each module.

Ethernet communication

- Ethernet link with MODBUS/TCP or JBUS/MODBUS RTU over TCP.
- Embedded Ethernet Webserver software.

Ethernet communication with RS485 JBUS/MODBUS gateway

- Ethernet link with MODBUS/TCP or JBUS/MODBUS RTU over TCP.
- Connect 1 to 247 RS485 JBUS/MODBUS slaves.
- Embedded Ethernet Webserver software.

Analogue outputs

- Allocate outputs to: 3I, In, 3V, 3U, F, ± ΣP, ± ΣQ, ΣS.

Pulse outputs

- 2 configurable pulse outputs (type, weight and duration) on ±kWh, ±kvarh and kVAh.

Description of accessories	Reference
RS485 MODBUS communication	4825 0092
2 inputs - 2 outputs	1599 2001
Ethernet communication (embedded Ethernet Webserver software)	4825 0203
Ethernet communication + RS485 JBUS/MODBUS gateway (embedded Ethernet Webserver software)	4825 0204
Analogue outputs	4825 0093
Pulse outputs	4825 0090

Remote interfaces

Use

To remotely display source availability and position indication typically used on the front of a panel when the product is enclosed. Interfaces are powered from the ATyS transfer switch via the RJ45 connection cable. Maximum cable length: 3 m.

D10 - for ATyS d, ATyS t and ATyS g

To display source availability and position indication on the front panel of an enclosure. Protection degree: IP21

D20 - for ATyS p

In addition to the functions of the D10, the D20 displays measurements and enables control and configuration from the front of a panel.

Protection degree: IP21

Door mounting

2 holes \varnothing 22.5.

ATyS transfer switch via RJ45 cable, not isolated. Cable available as an accessory.

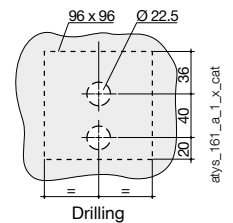


atys_564_d_1_cat

atys_565_d_1_cat



atys_597_a_1_cat



atys_161_a_1_x_cat

RJ45 port to connect to ATyS.

Description of accessories	Reference
D10	9599 2010
D20	9599 2020

Connecting cable for remote interfaces

Use

To connect between a remote interface (type D10 or D20) and a control product (ATyS d, t, g or p).

Characteristics

RJ45 8 straight-through, non insulated cables, length 3 m.



access_209_a_2_cat

For ATyS d, t, g and p		
Type	Length	Reference
RJ45 cable	3 m	1599 2009

Sealable cover

Use - for ATyS t and g

Prevents access to the configuration of ATyS t and g devices (seals supplied).

Rating (A)	Frame size	Reference
125 ... 3200	B3 ... B8	9599 0000



atys_870_a

Auto/Manual key selector

Use

Replaces the standard Auto/Manual selector knob with a key selector.

Rating (A)	Frame size	Reference
125 ... 3200	B3 ... B8	9599 1007



atys_869_a

Double power supply - DPS

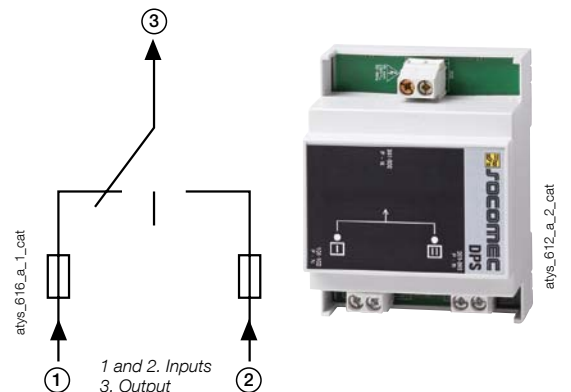
Use

Allows an ATyS r to be supplied by two 230 VAC, 50/60 Hz networks.

Input

- The input is considered "active" from 200 VAC.
- Maximum voltage: 288 VAC.
- Internal protection: each input is fuse protected (3.15 A).
- Connection on terminals: max. 6 mm².
- Modular device: 4 module width.

Description of accessories	Reference
DPS	1599 4001



atys_612_a_2_cat

ATyS range

ATyS r, ATyS d, ATyS t, ATyS g, ATyS p

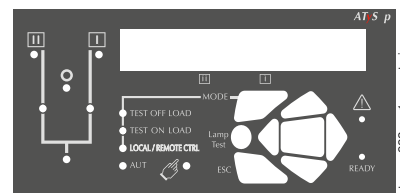
from 125 to 3200 A

Spares

ATyS p front panel

This front panel is used, for the ATyS p only, if source 2 is connected to unit I and source 1 is connected to unit II. Positions I and II are reversed on the front panel.

Product model	Reference
ATyS p	9599 1008



atys-p_002_a_1_x_cat.ai

Electronic module

The electrical components of the ATyS d, t, g and p are easy to replace in case there is a problem, even when on-load.

Product model	Reference
ATyS d	9539 2001
ATyS t	9549 2001
ATyS g	9559 2001
ATyS p	9579 2001



atys-p_001_b

Motorisation module

The motor units of the ATyS r, d, t, g and p are easy to replace in case there is a problem, even when on-load.

Rating (A)	Reference
125 ... 200	9509 5020
250 ... 400	9509 5040
500 ... 630	9509 5063
800 ... 1250	9509 5120
1600	9509 5160
2000 ... 3200	9509 5320



atys_071_a

Switching module

If you need to replace just the switching part on an ATyS r, d, t, g or p, order SIRCOVER items. Please refer to page 396.



svr_151_a

Enclosed solutions

General characteristics

ATyS d and ATyS p

- Adapted to mechanical risk and dust hazard.
- IP rating: IP54.
- Colour: RAL 7035.
- Connecting the cables: upstream or downstream up to 250 A then downstream only.
- The auxiliary contacts are wired to terminal blocks.
- Material: 2 mm-thick XC steel.
- Coating: epoxy varnish.
- Mounting: 4 wall mounting brackets, not mounted \leq 400 A, floor standing feet $>$ 630 A
- Door: solid with hinges.
- Door lock: 3 mm double-bar lock (key included)

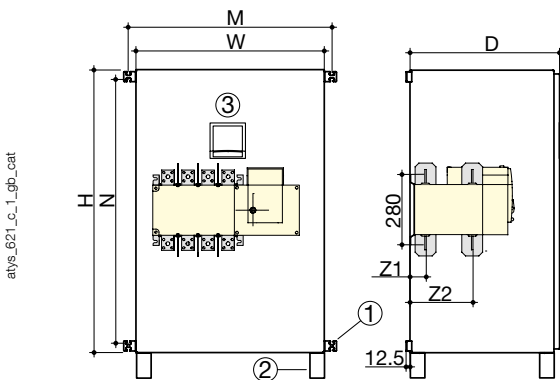
References

Rating (A)	No. of poles	ATyS d Reference	ATyS p Reference
125	4 P	1723 4012	1763 4012
160	4 P	1723 4016	1763 4016
250	4 P	1723 4025	1763 4025
400	4 P	1723 4040	1763 4040
630	4 P	1723 4063	1763 4063
800	4 P	1723 4080	1763 4080
1000	4 P	1723 4100	1763 4100
1250	4 P	1723 4120	1763 4120
1600	4 P	1723 4160	1763 4160
2000	4 P	1723 4200	1763 4200
2500	4 P	1723 4250	1763 4250
3200	4 P	1723 4320	1763 4320



conf_3006_b_1

Dimensions



atys_621_Lc_1_gb_cat

- (1) Wall mounting brackets supplied up to 400 A.
 (2) Floor standing feet from 630 A (add 200 mm for to H dimension feet).
 (3) D10 or D20 interfaces (optional).

Rating (A)	Max. Cu cable cross-section (mm ²)	H (mm)	W (mm)	D (mm)	M (mm)	N (mm)	Z1 (mm)	Z2 (mm)	Weight (kg)
125	50	650	400	300	448	608	38	134	25
160	70	650	400	300	448	608	38	134	25
250	120	1000	650	475	698	958	39.5	134.5	45
400	240	1000	650	475	698	958	39.5	134.5	50
630	2 x 185	1000	650	475			53	190	70
800	2 x 240	1200	800	660			66.5	253.5	135
1000	4 x 150	1200	800	660			66.5	253.5	140
1250	4 x 185	1600	1000	830			66.5	253.5	270
1600	4 x 240	1600	1000	830			67.5	253.5	375
2000	8 x 150	2000	1000	1000					400
2500	8 x 185	2000	1000	1000					400
3200	8 x 240	2000	1000	1000					400

ATyS range

ATyS r, ATyS d, ATyS t, ATyS g, ATyS p

from 125 to 3200 A

Characteristics according to IEC 60947-3 and IEC 60947-6-1

125 to 630 A

Thermal current I_{th} to 40°C	125 A	160 A	200 A	250 A	315 A	400 A	500 A	630 A
Frame size	B3	B3	B3	B4	B4	B4	B5	B5
Rated insulation voltage U_i (V) (power circuit)	800	800	800	1000	1000	1000	1000	1000
Rated impulse withstand voltage U_{imp} (kV) (power circuit)	8	8	8	12	12	12	12	12
Rated insulation voltage U_i (V) (control circuit)	300	300	300	300	300	300	300	300
Rated impulse withstand voltage U_{imp} (kV) (control circuit)	4	4	4	4	4	4	4	4
Rated operational currents I_e (A) according to IEC 60947-3								
Rated voltage	Utilisation category	A/B⁽¹⁾	A/B⁽¹⁾	A/B⁽¹⁾	A/B⁽¹⁾	A/B⁽¹⁾	A/B⁽¹⁾	A/B⁽¹⁾
415 VAC	AC-21 A / AC-21 B	125/125	160/160	200/200	250/250	315/315	400/400	500/500
415 VAC	AC-22 A / AC-22 B	125/125	160/160	200/200	250/250	315/315	400/400	500/500
415 VAC	AC-23 A / AC-23 B	125/125	160/160	200/200	200/200	315/315	400/400	500/500
500 VAC	AC-21 A / AC-21 B	125/125	160/160	200/200	250/250	315/315	400/400	500/500
500 VAC	AC-22 A / AC-22 B	125/125	160/160	200/200	200/250	200/315	200/400	500/500
500 VAC	AC-23 A / AC-23 B	80/80	80/80	80/80	200/200	200/200	200/200	400/400
690 VAC ⁽³⁾	AC-21 A / AC-21 B	125/125	160/160	200/200	200/200	200/200	200/200	500/500
690 VAC ⁽³⁾	AC-22 A / AC-22 B	125/125	125/125	125/125	160/160	160/160	160/160	400/400
690 VAC ⁽³⁾	AC-23 A / AC-23 B	63/80	63/80	63/80	125/125	125/125	125/125	400/400
220 VDC	DC-21 A / DC-21 B	125/125	160/160	200/200	250/250	250/250	250/250	500/500
220 VDC	DC-22 A / DC-22 B	125/125	160/160	200/200	250/250	250/250	250/250	500/500
220 VDC	DC-23 A / DC-23 B	125/125	125/125	125/125	200/200	200/200	200/200	500/500
440 VDC ⁽²⁾	DC-21 A / DC-21 B	125/125	125/125	125/125	200/200	200/200	200/200	500/500
440 VDC ⁽²⁾	DC-22 A / DC-22 B	125/125	125/125	125/125	200/200	200/200	200/200	500/500
440 VDC ⁽²⁾	DC-23 A / DC-23 B	125/125	125/125	125/125	200/200	200/200	200/200	500/500
Rated operational currents I_e (A) according to IEC 60947-6-1								
Rated voltage	Utilisation category							
415 VAC	AC-31 B	125	160	200	250	315	400	500
415 VAC	AC-32 B				200	315	400	500
415 VAC	AC-33 B				200	200	200	400
Current rated as conditional short-circuit with fuse gG DIN, according to IEC 60947-3								
Prospective fuse protected short-circuit withstand at 415 VAC(6)		100	100	50	50	50	50	50
Prospective fuse protected short-circuit withstand at 690 VAC(kA rms)					50	50	50	50
Associated fuse rating (A)		125	160	200	250	315	400	500
Short-circuit withstand without protection as per IEC 60947-3								
Rated short-time withstand current 0.3s I_{cw} at 415 VAC (kA rms)		12	12	12	15 ⁽⁴⁾	15 ⁽⁴⁾	15 ⁽⁴⁾	17 ⁽⁴⁾
Rated short-time withstand current 1s I_{cw} at 415 VAC (kA rms)		7	7	7	8 ⁽⁴⁾	8 ⁽⁴⁾	8 ⁽⁴⁾	11 ⁽⁴⁾
Rated peak withstand current at 415 VAC (kA peak)		20	20	20	30	30	30	45
Short-circuit withstand without protection as per IEC 60947-6-1								
Rated short-time withstand current 30 ms I_{cw} at 415 VAC (kA rms)		10	10	10	10	10	10	
Rated short-time withstand current 60 ms I_{cw} at 415 VAC (kA rms)							10	12.6
Connection								
Minimum Cu cable cross-section as per IEC 60947-1 (mm ²)		35	35	50	95	120	185	2 x 95
Recommended Cu busbar cross-section (mm ²)								2 x 32 x 5
Maximum Cu cable cross-section (mm ²)		50	95	120	150	240	240	2 x 185
Maximum Cu busbar width (mm)		25	25	25	32	32	32	50
Min./max. tightening torque (Nm)		9/13	9/13	9/13	20/26	20/26	20/26	40/45
Switching time (rated voltage, after receiving command)								
Transfer time I-II or II-I (s)		0.85	0.85	0.85	0.9	0.9	0.9	0.95
I-0 or II-0 (s)		0.55	0.55	0.55	0.5	0.5	0.5	0.55
Contact transfer time ("black-out" I-II) minimum (s)		0.3	0.3	0.3	0.4	0.4	0.4	0.4
Power supply								
Min./max. power (VAC)		166/332	166/332	166/332	166/332	166/332	166/332	166/332
Control supply power demand								
Demand/rated power (VA) - ATyS r, ATyS d		184/92	184/92	184/92	276/115	276/115	276/115	276/150
Demand/rated power (VA) - ATyS t, g, p		206/114	206/114	206/114	298/137	298/137	298/137	298/172
Mechanical specifications								
Durability (number of operating cycles)		10,000	10,000	10,000	8,000	8,000	8,000	5,000
Weight ATyS r 3 P / 4 P (kg)		5.7/ 6.9	5.7/ 6.9	5.7/ 6.9	6.6/ 7.4	6.7/ 7.8	6.7/ 7.8	11.4/ 13.3
Weight ATyS d 3 P / 4 P (kg)		6.3/ 7.5	6.3/ 7.5	6.3/ 7.5	7.2/ 8.0	7.3/ 8.4	7.3/ 8.4	12.0/ 13.9
Weight ATyS t, g, p 3 P / 4 P (kg)		6.8/ 8.0	6.8/ 8.0	6.8/ 8.0	7.7/ 8.5	7.8/ 8.9	7.8/ 8.9	12.5/ 14.4

(1) Category with index A = frequent operation - Category with index B = infrequent operation. (3) Interphase barriers must be installed on the products.

(2) 3-pole device with 2 pole in series for the "+" an 1 pole for the "-".

(4) Values given at 690 VAC.

4-pole device with 2 poles in series by polarity.

800 to 3200 A

Thermal current I_{th} at 40°C	800 A	1000 A	1250 A	1600 A	2000 A	2500 A	3200 A
Frame size	B6	B6	B6	B7	B8	B8	B8
Rated insulation voltage U_i (V) (power circuit)	1000	1000	1000	1000	1000	1000	1000
Rated impulse withstand voltage U_{imp} (kV) (power circuit)	12	12	12	12	12	12	12
Rated insulation voltage U_i (V) (control circuit)	300	300	300	300	300	300	300
Rated impulse withstand voltage U_{imp} (kV) (control circuit)	4	4	4	4	4	4	4
Rated operational currents I_e (A) according to IEC 60947-3							
Rated voltage	Utilisation category	A/B⁽¹⁾	A/B⁽¹⁾	A/B⁽¹⁾	A/B⁽¹⁾	A/B⁽¹⁾	A/B⁽¹⁾
415 VAC	AC-21 A / AC-21 B	800/800	1000/1000	1250/1250	1600/1600	-/2000	-/2500
415 VAC	AC-22 A / AC-22 B	800/800	1000/1000	1250/1250	1600/1600	-/2000	-/2500
415 VAC	AC-23 A / AC-23 B	800/800	1000/1000	1250/1250	1250/1250	-/1600	-/1600
500 VAC	AC-21 A / AC-21 B	800/800	1000/1000	1250/1250	1600/1600	-/2000	-/2000
500 VAC	AC-22 A / AC-22 B	630/630	800/800	1000/1000	1600/1600		
500 VAC	AC-23 A / AC-23 B	630/630	630/630	800/800	1000/1000		
690 VAC ⁽³⁾	AC-21 A / AC-21 B	800/800	1000/1000	1250/1250	1600/1600	-/2000	-/2000
690 VAC ⁽³⁾	AC-22 A / AC-22 B	630/630	800/800	1000/1000	1000/1000		
690 VAC ⁽³⁾	AC-23 A / AC-23 B	630/630	630/630	800/800	800/800		
220 VDC	DC-21 A / DC-21 B	800/800	1000/1000	1250/1250	1250/1250		
220 VDC	DC-22 A / DC-22 B	800/800	1000/1000	1250/1250	1250/1250		
220 VDC	DC-23 A / DC-23 B	800/800	1000/1000	1250/1250	1250/1250		
440 VDC ⁽²⁾	DC-21 A / DC-21 B	800/800	1000/1000	1250/1250	1250/1250		
440 VDC ⁽²⁾	DC-22 A / DC-22 B	800/800	1000/1000	1250/1250	1250/1250		
440 VDC ⁽²⁾	DC-23 A / DC-23 B	800/800	1000/1000	1250/1250	1250/1250		
Rated operational currents I_e (A) according to IEC 60947-6-1							
Rated voltage	Utilisation category						
415 VAC	AC-31 B	800	1000	1250	1600	2000	2500
415 VAC	AC-32 B	800	1000	1250	1250	2000	2000
415 VAC	AC-33 B	800	1000	1000	1000	1250	1250
Current rated as conditional short-circuit with fuse gG DIN, according to IEC 60947-3							
Prospective fuse protected short-circuit withstand at 415 VAC (kA rms)		50	50	100	100		
Prospective fuse protected short-circuit withstand at 690 VAC (kA rms)		50	50	50			
Associated fuse rating (A)		800	1000	1250	2x800		
Short-circuit withstand without protection as per IEC 60947-3							
Rated short-time withstand current 0.3s I_{sc} at 415 VAC (kA rms)		64	64	64	78	78	78
Rated short-time withstand current 1s I_{sc} at 415 VAC (kA rms)		35	35	35	50	50	50
Rated peak withstand current at 415 VAC (kA peak)		55	55	80	110	120	120
Short-circuit withstand without protection as per IEC 60947-6-1							
Rated short-time withstand current 30 ms I_{sc} at 415 VAC (kA rms)							
Rated short-time withstand current 60 ms I_{sc} at 415 VAC (kA rms)		20	20	25	32	50	50
Connection							
Minimum Cu cable cross-section as per IEC 60947-1 (mm ²)		2 x 185					
Recommended Cu busbar cross-section (mm ²)		2 x 50 x 5	2 x 63 x 5	2 x 60 x 7	2 x 100 x 5	3 x 100 x 5	2 x 100 x 10
Maximum Cu cable cross-section (mm ²)		4 x 185	4 x 185	4 x 185	6 x 185		
Maximum Cu busbar width (mm)		63	63	63	100	100	100
Min./max. tightening torque (Nm)		9/13	9/13	20/26	40/45	40/45	40/45
Switching time (rated voltage, after receiving command)							
Transfer time I-II or II-I (s)		2.8	2.8	2.8	2.9	2.8	2.8
I-0 or II-0 (s)		1.4	1.4	1.4	1.4	1.8	1.8
Contact transfer time ("black-out" I-II) minimum (s)		1.4	1.4	1.4	1.5	1	1
Power supply							
Min./max. power (VAC)		166/332	166/332	166/332	166/332	166/332	166/332
Control supply power demand							
Demand/rated power (VA) - ATyS r, ATyS d		460/184	460/184	460/184	460/230	812/322	812/322
Demand/rated power (VA) - ATyS t, g, p		482/206	482/206	482/206	482/252	834/344	834/344
Mechanical specifications							
Durability (number of operating cycles)		4,000	4,000	4,000	3,000	3,000	3,000
Weight ATyS r 3 P / 4 P (kg)		27.9/ 32.2	28.4/ 32.9	28.9/ 33.6	33.1/ 39.4	50.7/ 61.6	50.7/ 61.6
Weight ATyS d 3 P / 4 P (kg)		28.5/ 32.8	29.0/ 33.5	29.5/ 34.2	33.7/ 40.0	51.3/ 62.2	51.3/ 62.2
Weight ATyS t, g, p 3 P / 4 P (kg)		29.0/ 33.3	29.5/ 34.0	30.0/ 34.7	34.2/ 40.5	51.8/ 62.7	51.8/ 62.7

(1) Category with index A = frequent operation - Category with index B = infrequent operation. (3) Interphase barriers must be installed on the products.

(2) 3-pole device with 2 pole in series for the "+" an 1 pole for the "-".

(4) Values given at 690 VAC.

4-pole device with 2 poles in series by polarity.

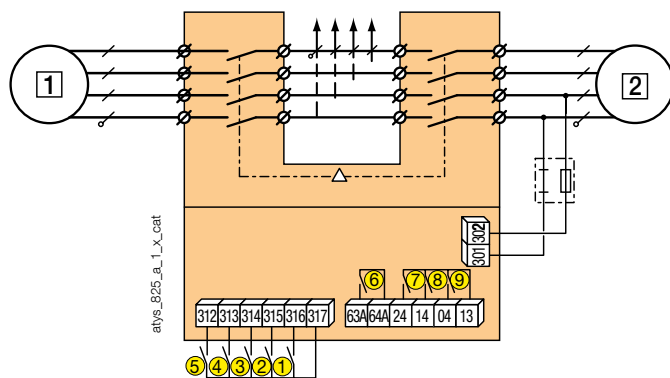
ATyS range

ATyS r, ATyS d, ATyS t, ATyS g, ATyS p

from 125 to 3200 A

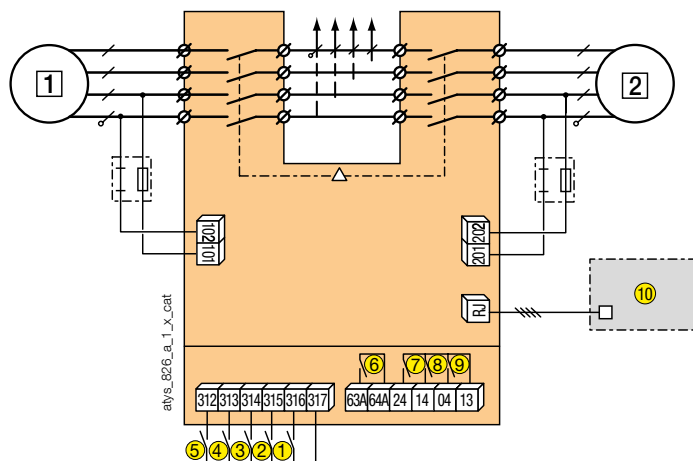
Connections and terminals

ATyS r



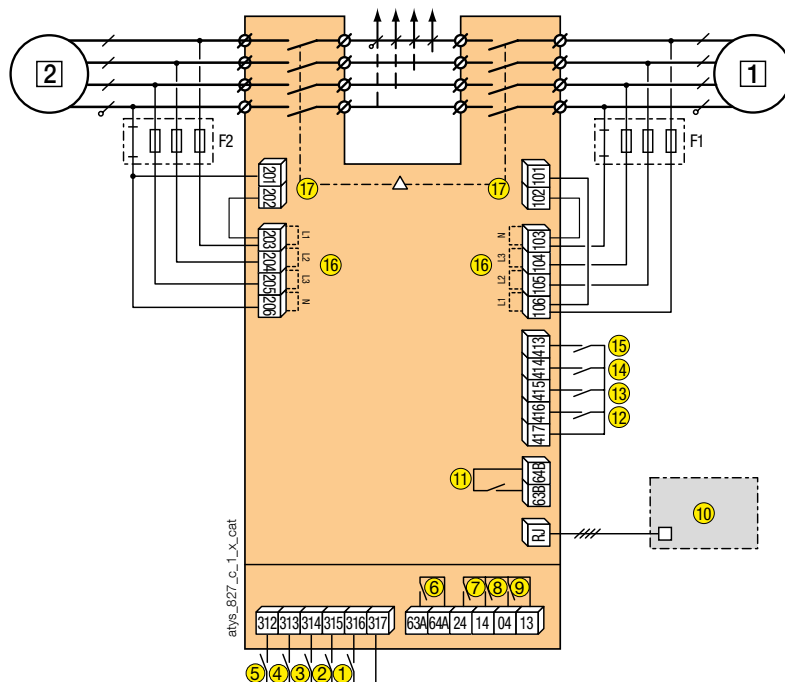
- 1 primary source (network or genset)
 - 2 backup source (mains network or genset)
- 1 : position 0 control (contact or logic if closed)
 - 2: position I control
 - 3: position II control
 - 4: primary control position 0
 - 5: closing this contact allows position control commands
 - 6: product availability relay
 - 7: auxiliary contact - closed when the switch is in position II
 - 8: auxiliary contact - closed when the switch is in position I
 - 9: auxiliary contact - closed when the switch is in position 0

ATyS d



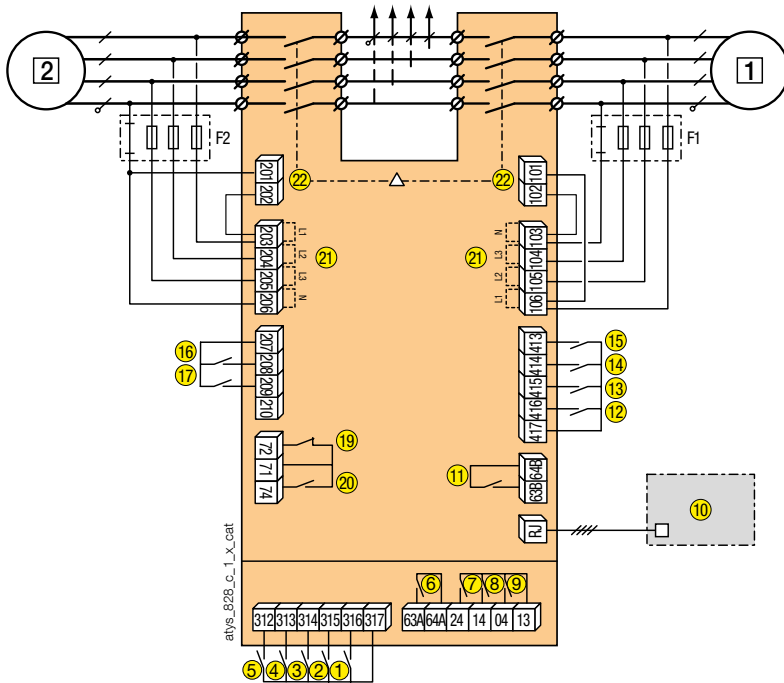
- 1 primary source (mains network or genset)
 - 2 backup source (mains network or genset)
- 1 : position 0 control (contact or logic if closed)
 - 2: position I control
 - 3: position II control
 - 4: primary control position 0
 - 5: closing this contact allows position control commands
 - 6: product availability relay
 - 7: auxiliary contact - closed when the switch is in position II
 - 8: auxiliary contact - closed when the switch is in position I
 - 9: auxiliary contact - closed when the switch is in position 0
 - 10: D10 remote interface

ATyS t



- 1 primary source (mains network)
 - 2 backup source (mains)
- 1: position 0 control (contact or logic if closed)
 - 2: position I control
 - 3: position II control
 - 4: primary control position 0
 - 5: closing this contact allows position control commands
 - 6: Motor unit availability relay
 - 7: auxiliary contact - closed when the switch is in position II
 - 8: auxiliary contact - closed when the switch is in position I
 - 9: auxiliary contact - closed when the switch is in position 0
 - 10: D10 remote interface
 - 11: Electrical unit availability relay
 - 12: automatic operation inhibited
 - 13: confirm manual retransfer
 - 14: preferred source selection
 - 15: function with or without priority
 - 16: voltage inputs
 - 17: power inputs

ATyS g



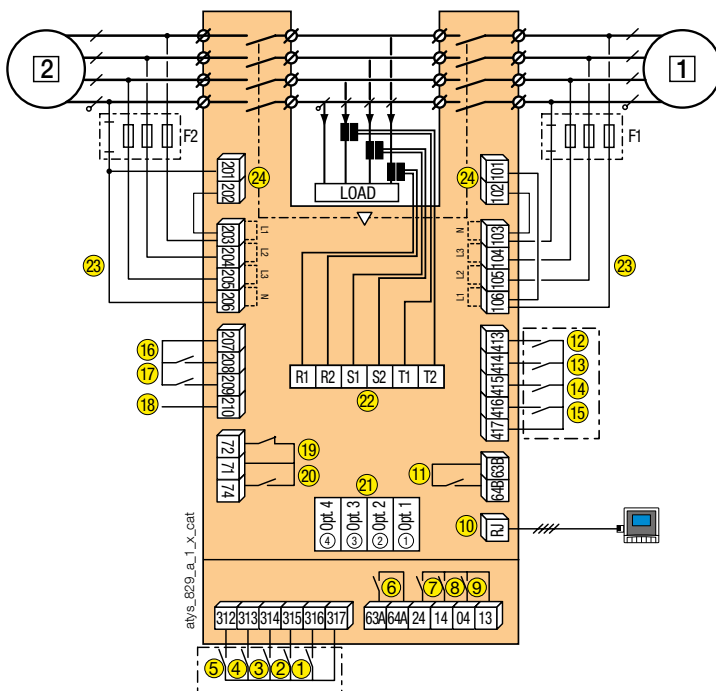
- 1 primary source (mains network)
- 2 backup source (genset or network)
- 1: position 0 control (contact or logic if closed)
- 2: position I control
- 3: position II control
- 4: primary control position 0
- 5: closing this contact allows position control commands
- 6: Motor unit availability relay
- 7: auxiliary contact - closed when the switch is in position II
- 8: auxiliary contact - closed when the switch is in position I
- 9: auxiliary contact - closed when the switch is in position 0
- 10: D10 remote interface
- 11: Electrical unit availability relay
- 12: automatic operation inhibited
- 13: confirm manual retransfer
- 14: bypass for time delay 2AT
- 15: M/G: priority test on load.
M/M: with or without priority.
- 16: remote test without load
- 17: M/G: test on load
M/M: preferred source selection
- 19-20: genset start and stop commands

Order	71/72 (19)	71/74 (20)
Genset start-up	Closed contact	Open contact
Genset stop	Open contact	Closed contact

21 : voltage inputs

22: power inputs

ATyS p



- 1 primary source (network or genset)
- 2 backup source (network or genset)
- 1: position 0 control (contact or logic if closed)
- 2: position I control
- 3: control position II
- 4: primary control position 0
- 5: closing this contact allows position control commands
- 6: Motor unit availability relay
- 7: auxiliary contact - closed when the switch is in position II
- 8: auxiliary contact - closed when the switch is in position I
- 9: auxiliary contact - closed when the switch is in position 0
- 10: D20 remote interface
- 11: Electrical unit availability relay
- 12-17: programmable inputs
- 18: auxiliary power supply for optional modules
- 19-20: genset start and stop commands

Order	71/72 (19)	71/74 (20)
Genset start-up	Closed contact	Open contact
Genset stop	Open contact	Closed contact

21 : 4 slots for optional modules

22: TI measurement connection

23 : voltage inputs

24: power inputs

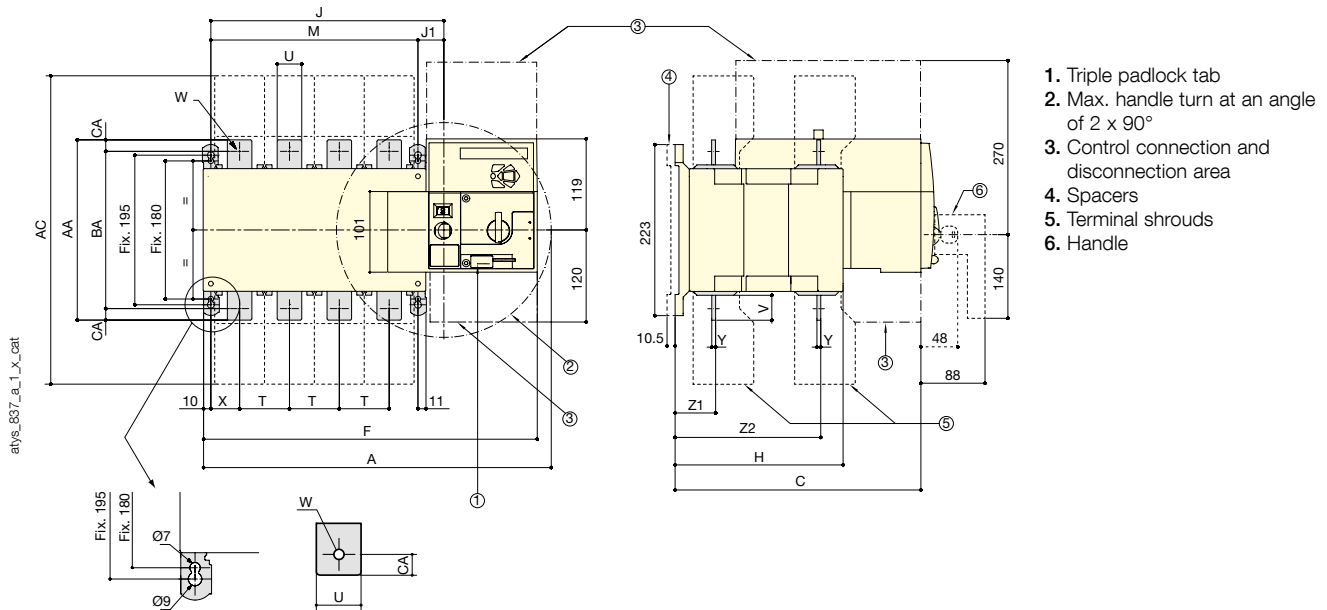
ATyS range

ATyS r, ATyS d, ATyS t, ATyS g, ATyS p

from 125 to 3200 A

Dimensions

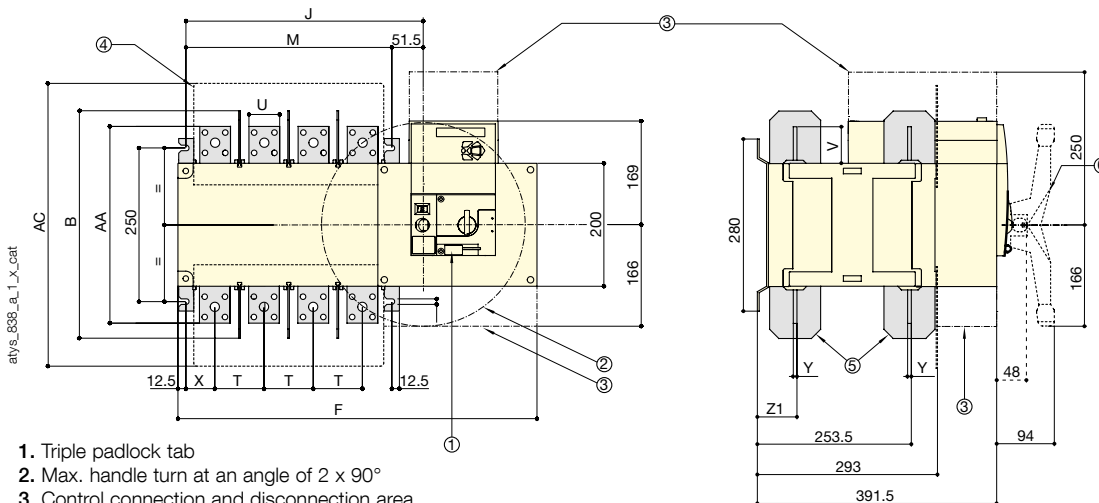
125 to 630 A / B3 to B5



1. Triple padlock tab
2. Max. handle turn at an angle of $2 \times 90^\circ$
3. Control connection and disconnection area
4. Spacers
5. Terminal shrouds
6. Handle

Rating (A) / Frame size	Overall dimensions			Terminal shrouds		Switch body				Switch mounting				Connection										
	A 3p.	A 4p.	C	AC	F 3p.	F 4p.	H	J 3p.	J 4p.	J1	M 3p.	M 4p.	T	U	V	W	X 3p.	X 4p.	Y	Z1	Z2	AA	BA	AC
125 / B3	304	334	244	233	286.5	317	151	154	184	34	120	150	36	20	25	9	28	22	3.5	38	134	135	115	10
160 / B3	304	334	244	233	286.5	317	151	154	184	34	120	150	36	20	25	9	28	22	3.5	38	134	135	115	10
200 / B3	304	334	244	233	286.5	317	151	154	184	34	120	150	36	20	25	9	28	22	3.5	38	134	135	115	10
250 / B4	345	395	244	288	328	378	152	195	245	35	160	210	50	25	30	11	33	33	3.5	39.5	133.5	160	130	15
315 / B4	345	395	244	288	328	378	152	195	245	35	160	210	50	35	35	11	33	33	3.5	39.5	133.5	170	140	15
400 / B4	345	395	244	288	328	378	152	195	245	35	160	210	50	35	35	11	33	33	3.5	39.5	133.5	170	140	15
500 / B5	394	454	320.5	402	377	437	221	244	304	34	210	270	65	32	50	14	42.5	37.5	5	53	190	260	220	15
630 / B5	394	454	320.5	402	377	437	221	244	304	34	210	270	65	45	50	13	42.5	37.5	5	53	190	260	220	20

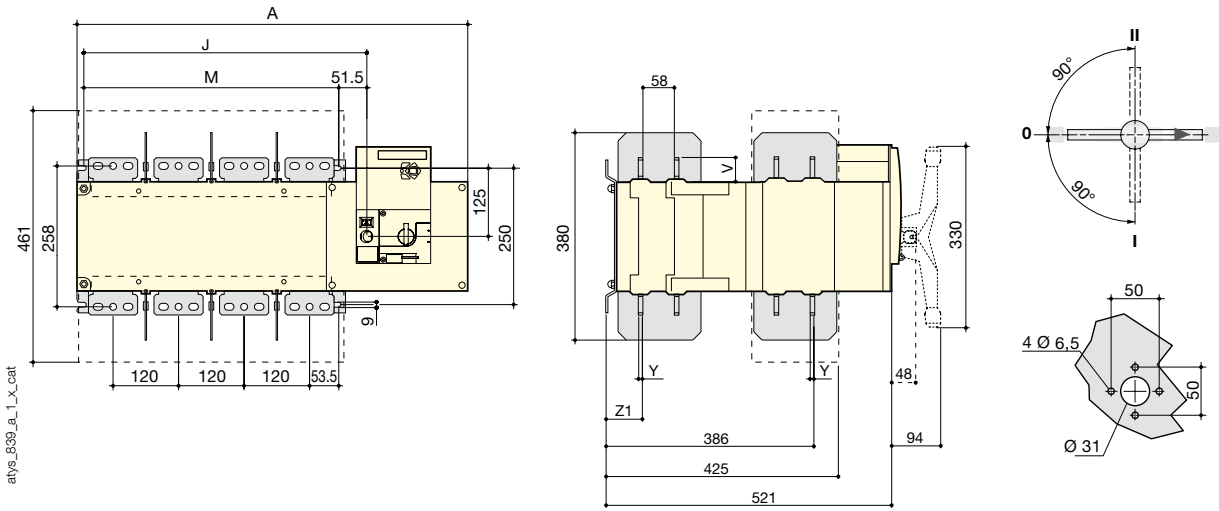
800 to 1600 A / B6 to B7



1. Triple padlock tab
2. Max. handle turn at an angle of $2 \times 90^\circ$
3. Control connection and disconnection area
4. Terminal screens
5. Inter-phase screen
6. Handle

Rating (A) / Frame size	Overall dimensions		Terminal shrouds		Switch body				Switch mounting		Connection					
	B	AC	F 3p.	F 4p.	J 3p.	J 4p.	M 3p.	M 4p.	T	U	V	X	Y	Z1	AA	
800 / B6	370	461	504	584	306.5	386.5	255	335	80	50	60.5	47.5	7	66.5	321	
1000 / B6	370	461	504	584	306.5	386.5	255	335	80	50	60.5	47.5	7	66.5	321	
1250 / B6	370	461	504	584	306.5	386.5	255	335	80	60	65	47.5	7	66.5	330	
1600 / B7	380	531	596	716	398.5	518.5	347	467	120	90	44	53	8	67.5	288	

2000 to 3200 A / B8

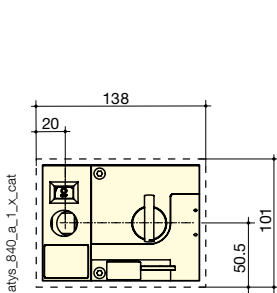


Rating (A)	Overall dimensions B	Terminal shrouds AC	Switch body				Switch mounting				Connection				
			A 3p.	A 4p.	J 3p.	J 4p.	M 3p.	M 4p.	T	U	V	X	Y	Z1	AA
2000 ... 3200	380	531	596	716	399	519	347	467	120	90	44	53	8	67.5	288

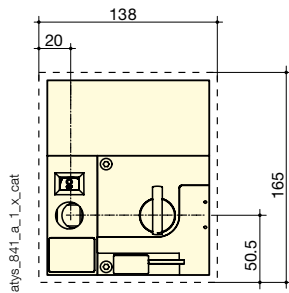
Door cutout

125 to 630 A / B3 to B5

ATyS r

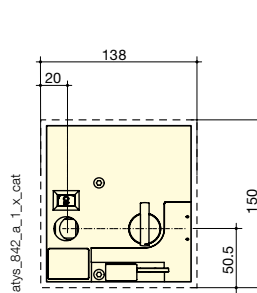


ATyS d, t, g, p

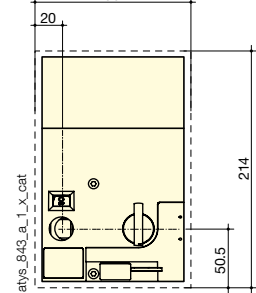


800 to 1600 A / B6 to B7

ATyS r

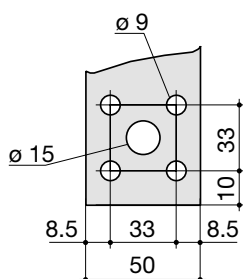


ATyS d, t, g, p

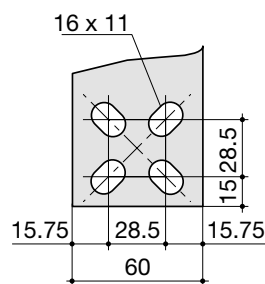


Connection terminals

800 to 1000 A / B6



1250 A / B6



1600 to 3200 A / B7 to B8

