

**Product data**

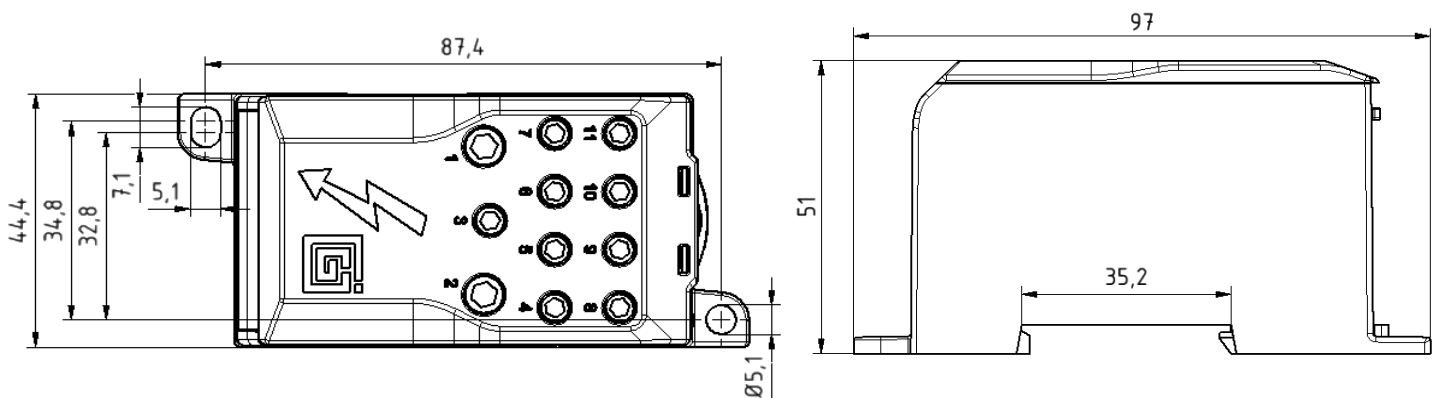
Product code	<b>VG03-0003</b>	STK-code	<b>1912008</b>	EAN-code	<b>6410019120080</b>
Product name	<b>OJL-connector 280</b>				
Wires	<b>1xAl/Cu (35-120mm<sup>2</sup>)/ 2x(6-35 mm<sup>2</sup>)/ 5x(2,5-16mm<sup>2</sup>)/ 4x(2,5-10mm<sup>2</sup>)</b>				

**Technical data**

Nominal current	Cu	<b>280</b>	A
	Al	<b>250</b>	A
Nominal voltage		<b>1000</b>	V
Max. Current (US)	Cu	-	A
	Al	-	A
Max. Voltage (US)		-	V
Number of pole		<b>1</b>	pcs
Max. Cross section		<b>120</b>	mm <sup>2</sup>
Tightening torque	95-120 mm <sup>2</sup>	<b>19</b>	Nm
	50-70 mm <sup>2</sup>	<b>10</b>	Nm
	25-35 mm <sup>2</sup>	<b>6</b>	Nm
	2,5-16 mm <sup>2</sup>	<b>3</b>	Nm
Max. Operating temperature		<b>80</b>	°C
Weight		<b>178</b>	g
IP-protection		<b>IP20</b>	
Standards	<b>EN 61238-1:2003; EN 60947-7-1:2009</b>		
Color/ Material	<b>Grey Cover, Grey Housing RAL 7035</b>		
Mounting/ Connection	<b>DIN-rail and screw mounting</b>		


**Description**

The Single pole distribution block for branching connection. The single pole distribution block are compact and it will distribute the current through 11 output cables.

**Drawing**

**Package**

Package	<b>Box</b>	pcs/ package	<b>12</b>	Weight [Kg]	<b>2,30</b>
Length [mm]	<b>210</b>	Width [mm]	<b>155</b>	Height [mm]	<b>105</b>