

MCS400

Multi Connector System
SF4000 Solenoid Valve MOUNTED

- DC 24V / DC 12V
- 25Pin D-Sub Connector
- Simple Electric Wire System

Wire Color	Pin No.	Solenoid No.	S-01
Black	01	S-01	S-01
Brown/White	14	S-02	S-02
Brown	02	S-03	S-03
Red/White	15	S-04	S-04
Red	03	S-05	S-05
Orange/White	16	S-06	S-06
Orange	04	S-07	S-07
Green/White	17	S-08	S-08
Yellow	05	S-09	S-09
Blue/White	18	S-10	S-10
Green	06	S-11	S-11
Purple/White	19	S-12	S-12
Blue	07	S-13	S-13
Red/White	20	S-14	S-14
Purple	08	S-15	S-15
Orange/Black	21	S-16	S-16
Gray	09	S-17	S-17
Yellow/Black	22	S-18	S-18
White	10	S-19	S-19
Green/Black	23	S-20	S-20
Light Green	12	S-21	S-21
Gray/Black	24	S-22	S-22
Pink/Black	25	COM	COM
Black/White	13	COM	COM
Pink	11	GROUND	GROUND

Single D-SUB Connector Cable MCS25-SC-30

Double D-SUB Connector Cable MCS25-DC-10

SF4200-IP-SC2-D4-MSF400-JC

SF4303-IP-SC2-D4-MSF400-JC

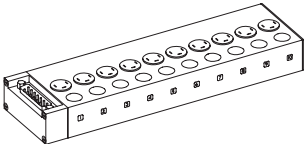

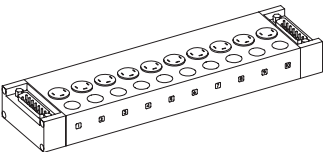
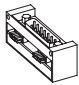
Blank Station Kit MSF400-BLK

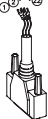
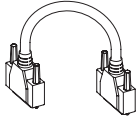
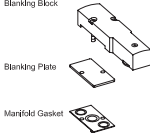
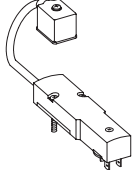
MF4500-10

D - SUB Jump Module MCS400-JM

MCS411-T10-D4

Single D-SUB Connector Cable MCS25-SC-10

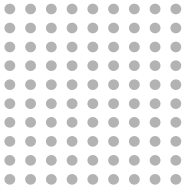
<p>Single Module IP40</p>  <p>Ordering Code MCS411-T10-D4</p>	<p>Coil Fix Plate</p>  <p>Ordering Code MCS200-CP</p>
<p>Double Module IP40</p>  <p>Ordering Code MCS421-T10-D4</p>	<p>D-Sub Jump Module IP40 (Material : Zinc)</p>  <p>Ordering Code MCS400-JM</p>

<p>Single D-Sub Connector Cable IP40</p>  <p>Ordering Code MCS25-SC-10 (1m) MCS25-SC-30 (3m) MCS25-SC-50 (5m) MCS25-SC-100 (10m)</p>	<p>Double D-Sub Connector Cable IP40</p>  <p>Ordering Code MCS25-DC-05 (0.5m) MCS25-DC-10 (1m)</p>	<p>Blank Station Kit (Material : Zinc)</p>  <p>Ordering Code MSF400-BLK</p>	<p>Jump Connector Kit IP40</p>  <p>Ordering Code MSF400-JC</p>
---	--	--	---

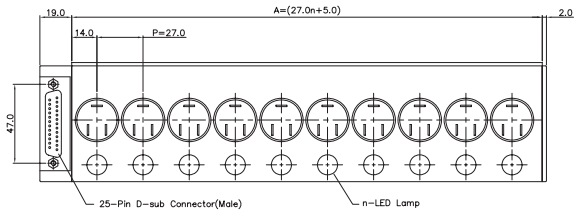
ORDERING NO.

MCS4 1 1 - T04 - D4

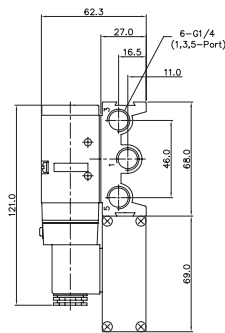
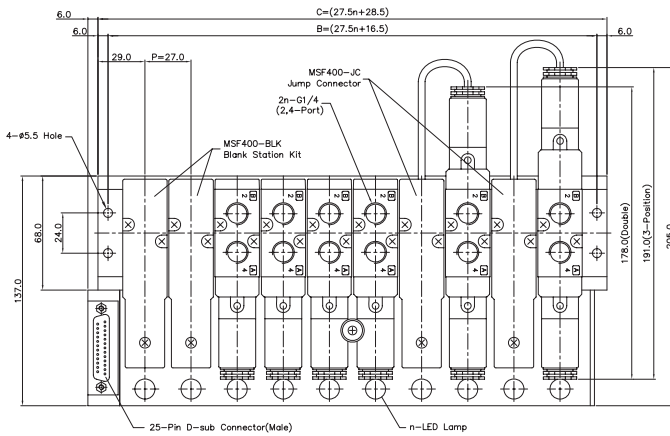
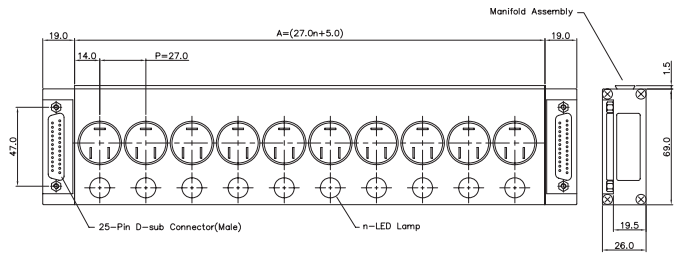
Series	Function	D-Sub Connector	Multipole Wireway Box	Voltage
MCS4: SF4000-1/4-5Port Solenoid Valve Ass'y	0 None 1 Single Module 2 Double Module	0 None 1 25 Pin D-Sub Connector	0 None T04 4 Station T06 6 Station T08 8 Station T10 10 Station T12 12 Station T14 14 Station	0 None D4 DC 24V D2 DC 12V



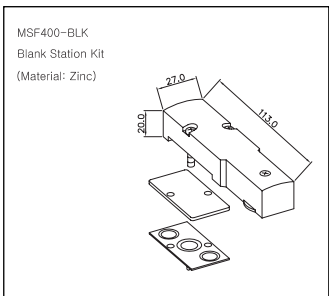
MCS411-T10-D4



MCS421-T10-D4

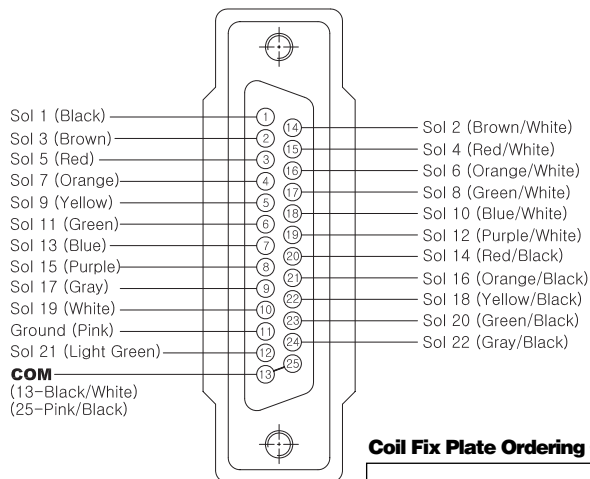


Blank Station Kit Ordering Code

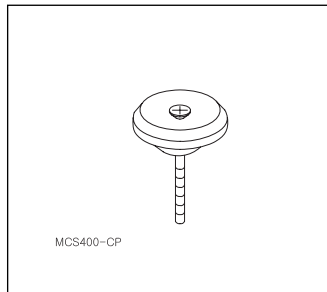


		n = STATION					
ITEM	n	4	6	8	10	12	14
A		113.0	167.0	221.0	275.0	329.0	383.0
B		126.5	181.5	236.5	291.5	346.5	401.5
C		138.5	193.5	248.5	303.5	358.5	413.5

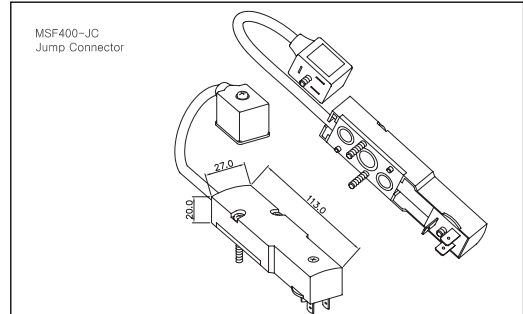
D-Sub Connector Pin No.



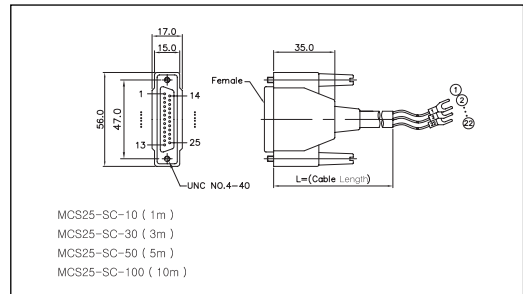
Coil Fix Plate Ordering Code



Jump Connector Cable Ordering Code



Single D-Sub Connector Cable Ordering Code



Double D-Sub Connector Cable Ordering Code

