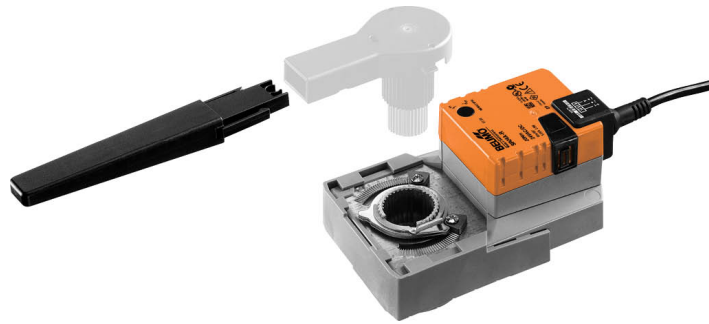


- Torque motor 20 Nm
- Nominal voltage AC/DC 24 V
- Control modulating, communicative 2...10 V variable
- Position feedback 2...10 V variable
- Communication via Belimo MP-Bus
- Conversion of sensor signals



Technical data

| | | |
|-------------------------------|------------------------------------|---|
| Electrical data | Nominal voltage | AC/DC 24 V |
| | Nominal voltage frequency | 50/60 Hz |
| | Nominal voltage range | AC 19.2...28.8 V / DC 21.6...28.8 V |
| | Power consumption in operation | 3.5 W |
| | Power consumption in rest position | 1.25 W |
| | Power consumption for wire sizing | 6 VA |
| | Connection supply / control | Cable 1 m, 4 x 0.75 mm ² |
| | Parallel operation | Yes (note the performance data) |
| Data bus communication | Communicative control | MP-Bus |
| | Number of nodes | MP-Bus max. 8 |
| Functional data | Torque motor | 20 Nm |
| | Operating range Y | 2...10 V |
| | Input impedance | 100 kΩ |
| | Operating range Y variable | Start point 0.5...30 V End point 2.5...32 V |
| | Operating modes optional | Open/close 3-point (AC only) Modulating (DC 0...32 V) |
| | Position feedback U | 2...10 V |
| | Position feedback U note | Max. 0.5 mA |
| | Position feedback U variable | Start point 0.5...8 V End point 2.5...10 V |
| | Position accuracy | ±5% |
| | Manual override | with push-button, can be locked |
| | Running time motor | 90 s / 90° |
| | Running time motor variable | 90...350 s |
| | Adaptation setting range | manual (automatic on first power-up) |
| | Adaptation setting range variable | No action Adaptation when switched on Adaptation after pushing the manual override button |
| | Override control | MAX (maximum position) = 100% MIN (minimum position) = 0% ZS (intermediate position, AC only) = 50% |
| | Override control variable | MAX = (MIN + 33%)...100% MIN = 0%...(MAX - 33%) ZS = MIN...MAX |
| | Sound power level, motor | 45 dB(A) |
| | Position indication | Mechanical, integrated, two-section |
| | Safety data | Protection class IEC/EN |
| Power source UL | | Class 2 Supply |
| Degree of protection IEC/EN | | IP54 |
| Degree of protection NEMA/UL | | NEMA 2 |

| | | |
|------------------------|--|---|
| Safety data | Enclosure | UL Enclosure Type 2 |
| | EMC | CE according to 2014/30/EU |
| | Certification IEC/EN | IEC/EN 60730-1 and IEC/EN 60730-2-14 |
| | UL Approval | cULus according to UL60730-1A, UL60730-2-14 and CAN/CSA E60730-1 The UL marking on the actuator depends on the production site, the device is UL-compliant in any case |
| | Type of action | Type 1 |
| | Rated impulse voltage supply / control | 0.8 kV |
| | Pollution degree | 3 |
| | Ambient humidity | Max. 95% RH, non-condensing |
| | Ambient temperature | 0...50°C [32...122°F] |
| | Storage temperature | -40...80°C [-40...176°F] |
| | Servicing | maintenance-free |
| Mechanical data | Connection flange | F03/F04/F05 |
| Weight | Weight | 0.97 kg |

Safety notes


- This device has been designed for use in stationary heating, ventilation and air-conditioning systems and must not be used outside the specified field of application, especially in aircraft or in any other airborne means of transport.
- Outdoor application: only possible in case that no (sea) water, snow, ice, insulation or aggressive gases interfere directly with the device and that it is ensured that the ambient conditions remain within the thresholds according to the data sheet at any time.
- Only authorised specialists may carry out installation. All applicable legal or institutional installation regulations must be complied during installation.
- The switch for changing the direction of rotation may only be operated by authorised specialists. The direction of rotation must not in particular be reversed in a frost protection circuit.
- The surface temperature between actuator and fitting may not exceed 50°C.
- The device may only be opened at the manufacturer's site. It does not contain any parts that can be replaced or repaired by the user.
- Cables must not be removed from the device.
- The device contains electrical and electronic components and must not be disposed of as household refuse. All locally valid regulations and requirements must be observed.

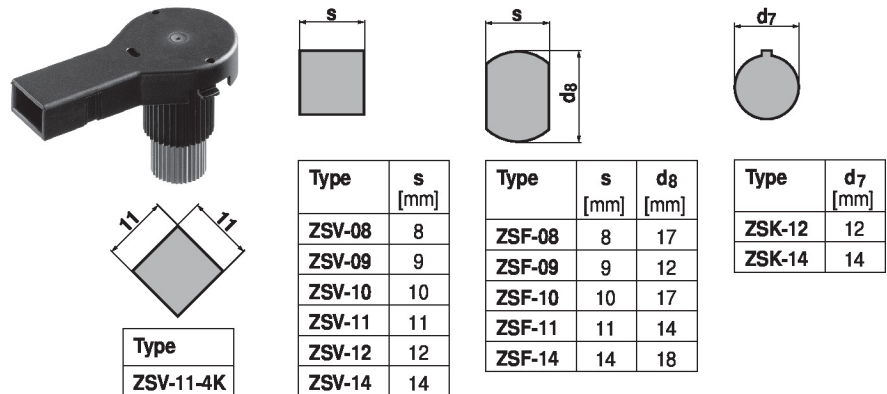
Product features

| | |
|---------------------------------|--|
| Mode of operation | <p>Conventional operation:</p> <p>The actuator is connected with a standard control signal of 0...10 V and drives to the position defined by the control signal. The measuring voltage U serves for the electrical display of the actuator position 0.5...100% and as control signal for other actuators.</p> <p>Operation on Bus:</p> <p>The actuator receives its digital control signal from the higher level controller via the MP-Bus and drives to the position defined. Connection U serves as communication interface and does not supply an analogue measuring voltage.</p> |
| Converter for sensors | <p>Connection option for a sensor (passive or active sensor or switching contact). The MP actuator serves as an analogue/digital converter for the transmission of the sensor signal via MP-Bus to the higher level system.</p> |
| Parametrisable actuators | <p>The factory settings cover the most common applications. Single parameters can be modified with the Belimo Service Tools MFT-P or ZTH EU.</p> |

Application For rotary valves and butterfly valves with the following mechanical specifications:

- ISO 5211: F03, F04, F05 (hole circle diameter on the flange for mounting the fitting)
- ISO 5211: quadratic, flat head or wedge-shaped spindle head geometry

Tappet shaft The form fit adapter is not included in the scope of delivery (see «Accessories»).



Simple direct mounting Simple direct mounting on the rotary valve or butterfly valve with mounting flange. The mounting orientation in relation to the fitting can be selected in 90° steps.

Manual override Manual override with push-button possible (the gear train is disengaged for as long as the button is pressed or remains locked).

Adjustable angle of rotation Adjustable angle of rotation with mechanical end stops.

High functional reliability The actuator is overload protected, requires no limit switches and automatically stops when the end stop is reached.

Position indication The two-section position indication (lever) can be reduced to 70 mm, the front part of the lever can be attached to the cable (clip).

Home position The first time the supply voltage is switched on, i.e. at the time of commissioning, the actuator carries out an adaptation, which is when the operating range and position feedback adjust themselves to the mechanical setting range.

The actuator then moves into the position defined by the control signal.

Factory setting: Y2 (counter-clockwise rotation).

Adaptation and synchronisation An adaptation can be triggered manually by pressing the "Adaptation" button or with the PC-Tool. Both mechanical end stops are detected during the adaptation (entire setting range).

Automatic synchronisation after pressing the manual override button is configured. The synchronisation is in the home position (0%).

The actuator then moves into the position defined by the control signal.

A range of settings can be adapted using the PC-Tool (see MFT-P documentation)

Accessories

| Gateways | Description | Type |
|------------------------|--------------------------------------|------------|
| | Gateway MP to BACnet MS/TP | UK24BAC |
| | Gateway MP to Modbus RTU | UK24MOD |
| Electrical accessories | Description | Type |
| | Auxiliary switch 1 x SPDT add-on | S1A |
| | Auxiliary switch 2 x SPDT add-on | S2A |
| | Feedback potentiometer 140 Ω add-on | P140A |
| | Feedback potentiometer 200 Ω add-on | P200A |
| | Feedback potentiometer 500 Ω add-on | P500A |
| | Feedback potentiometer 1 kΩ add-on | P1000A |
| | Feedback potentiometer 2.8 kΩ add-on | P2800A |
| | Feedback potentiometer 5 kΩ add-on | P5000A |
| | Feedback potentiometer 10 kΩ add-on | P10000A |
| | MP-Bus power supply for MP actuators | ZN230-24MP |

Mechanical accessories

| Description | Type |
|--|-----------|
| Form fit adapter square 8x8x57 mm (LxWxH) | ZSV-08 |
| Form fit adapter square 9x9x57 mm (LxWxH) | ZSV-09 |
| Form fit adapter square 10x10x57 mm (LxWxH) | ZSV-10 |
| Form fit adapter square 11x11x57 mm (LxWxH) | ZSV-11 |
| Form fit adapter square 11x11x57 mm (LxWxH, inside square) | ZSV-11-4K |
| Form fit adapter square 12x12x57 mm (LxWxH) | ZSV-12 |
| Form fit adapter square 14x14x57 mm (LxWxH) | ZSV-14 |
| Form fit adapter flat head 8xø17x57 mm (WxøxH) | ZSF-08 |
| Form fit adapter flat head 9xø12x57 mm (WxøxH) | ZSF-09 |
| Form fit adapter flat head 10xø17x57 mm (WxøxH) | ZSF-10 |
| Form fit adapter flat head 11xø14x57 mm (WxøxH) | ZSF-11 |
| Form fit adapter flat head 14xø18x57 mm (WxøxH) | ZSF-14 |
| Form fit adapter wedge groove ø12x4x57 mm (øxWxH) | ZSK-12 |
| Form fit adapter wedge groove ø14x5x57 mm (øxWxH) | ZSK-14 |

Tools

| Description | Type |
|---|---------|
| Service Tool, with ZIP-USB function, for parametrisable and communicative Belimo actuators, VAV controller and HVAC performance devices | ZTH EU |
| Belimo PC-Tool, Software for adjustments and diagnostics | MFT-P |
| Adapter for Service-Tool ZTH | MFT-C |
| Connecting cable 5 m, A: RJ11 6/4 ZTH EU, B: 6-pin for connection to service socket | ZK1-GEN |
| Connecting cable 5 m, A: RJ11 6/4 ZTH EU, B: free wire end for connection to MP/PP terminal | ZK2-GEN |

Electrical installation


Supply from isolating transformer.

Parallel connection of other actuators possible. Observe the performance data.

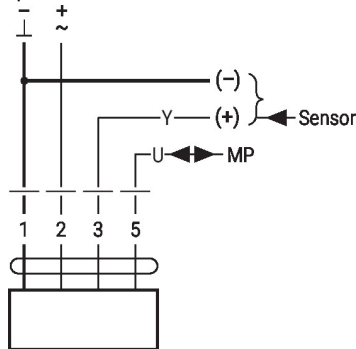
Direction of rotation switch is covered. Factory setting: Direction of rotation Y2.

Wire colours:

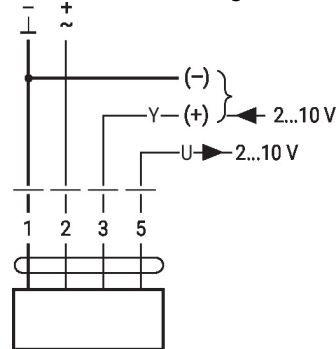
- 1 = black
- 2 = red
- 3 = white
- 5 = orange

Wiring diagrams

Operation on the MP-Bus



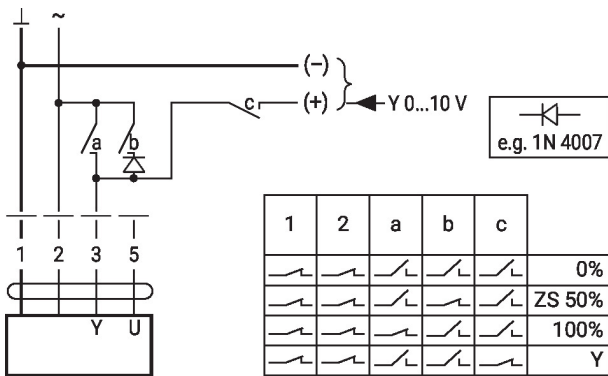
AC/DC 24 V, modulating



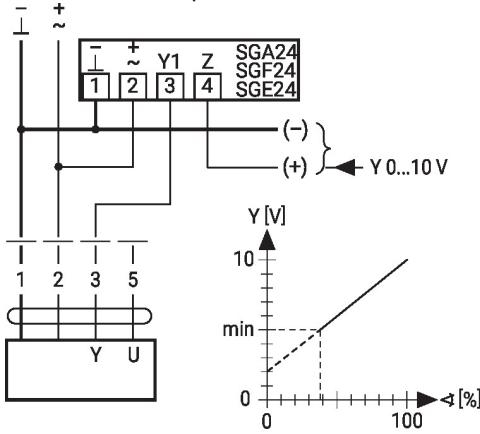
Functions

Functions with basic values (conventional mode)

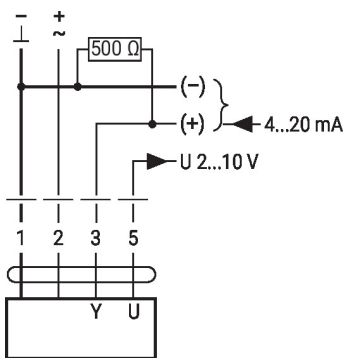
Override control with AC 24 V with relay contacts



Minimum limit with positioner SG..

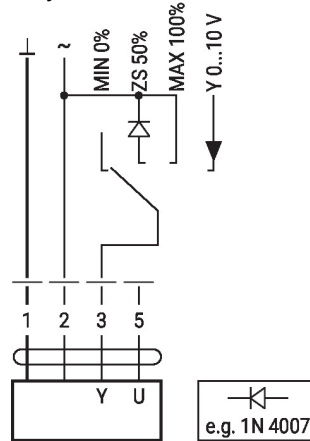


Control with 4...20 mA via external resistor

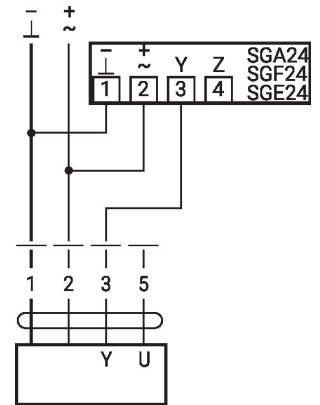


Caution:
The operating range must be set to DC 2...10 V.
The 500 Ohm resistor converts the 4...20 mA current signal to a voltage signal DC 2...10 V.

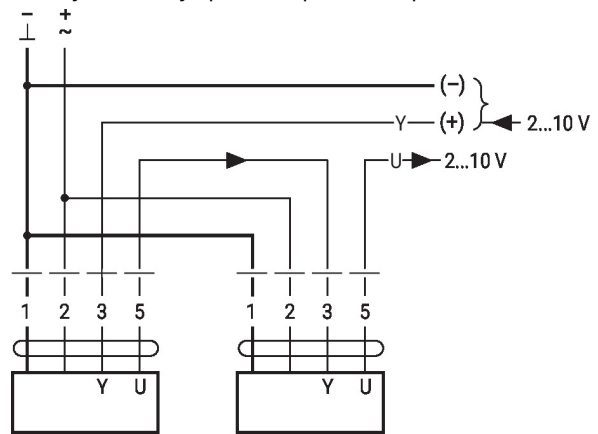
Override control with AC 24 V with rotary switch



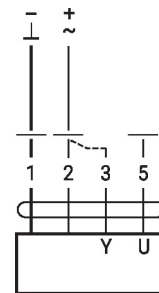
Control remotely 0...100% with positioner SG..



Primary/secondary operation (position-dependent)



Functional check

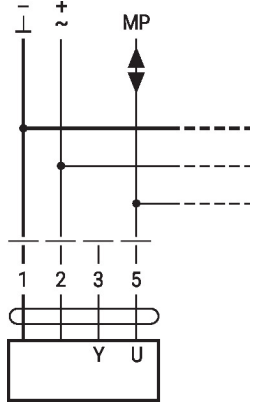


Procedure

1. Connect 24 V to connections 1 and 2
2. Disconnect connection 3:
 - with direction of rotation L: Actuator rotates to the left
 - with direction of rotation R: Actuator rotates to the right
3. Short-circuit connections 2 and 3:
 - Actuator runs in opposite direction

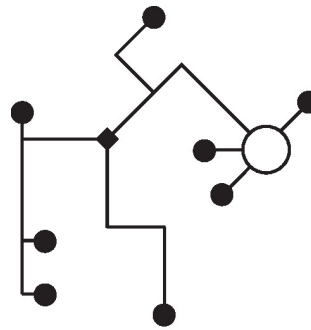
Functions with specific parameters (Parametrisation necessary)

Connection on the MP-Bus



Max. 8 additional MP-Bus nodes

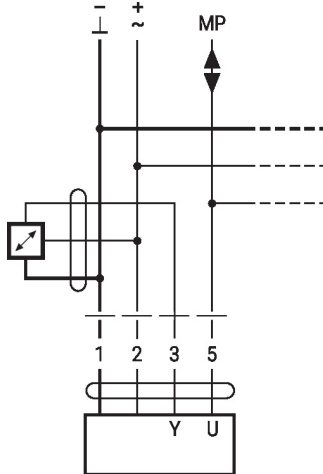
MP-Bus Network topology



There are no restrictions for the network topology (star, ring, tree or mixed forms are permitted).
Supply and communication in one and the same 3-wire cable

- no shielding or twisting necessary
- no terminating resistors required

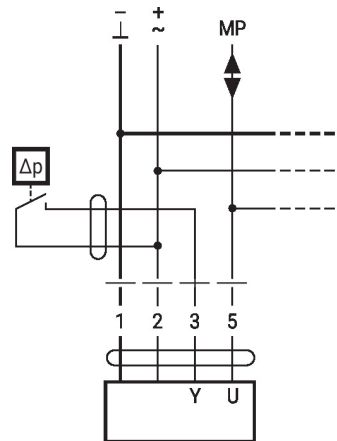
Connection of active sensors



Max. 8 additional MP-Bus nodes

- Supply AC/DC 24 V
- Output signal 0...10 V (max. 0...32 V)
- Resolution 30 mV

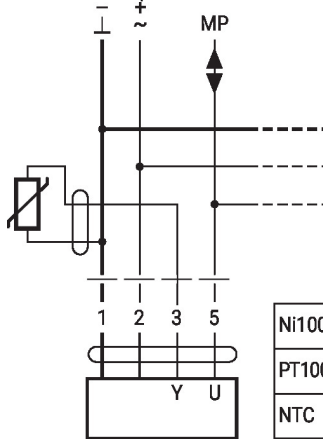
Connection of external switching contact



Max. 8 additional MP-Bus nodes

- Switching current 16 mA @ 24 V
- Start point of the operating range must be parametrised on the MP actuator as ≥ 0.5 V

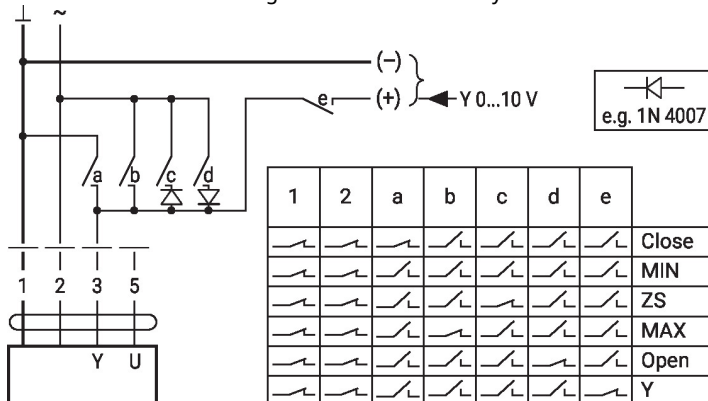
Connection of passive sensors



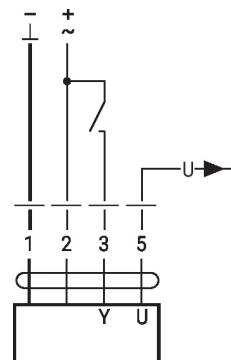
| | | |
|--------|----------------------------|-----------------------------|
| Ni1000 | -28...+98°C | 850...1600 Ω ²⁾ |
| PT1000 | -35...+155°C | 850...1600 Ω ²⁾ |
| NTC | -10...+160°C ¹⁾ | 200 Ω...60 kΩ ²⁾ |

1) Depending on the type
2) Resolution 1 Ohm
Compensation of the measured value is recommended

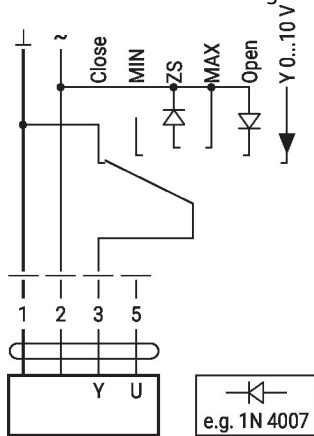
Override control and limiting with AC 24 V with relay contacts



Control open/close

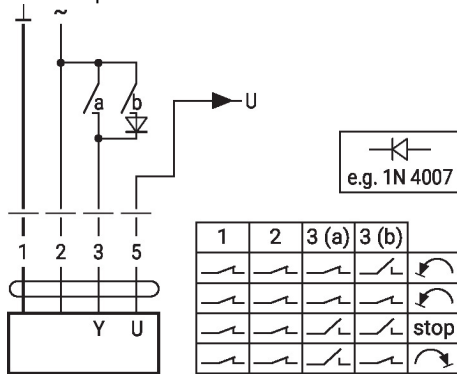


Override control and limiting with AC 24 V with rotary switch



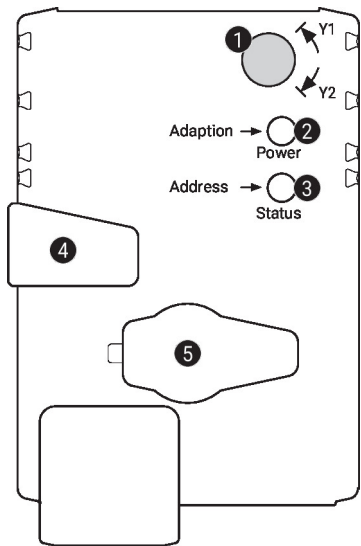
Caution:
The "Close" function is only guaranteed if the start point of the operating range is defined as min. 0.5 V.

Control 3-point with AC 24 V



Position control: 90° = 100s
Flow control: Vmax = 100s

Operating controls and indicators



1 Direction of rotation switch

Switch over: Direction of rotation changes

2 Push-button and LED display green

Off: No power supply or malfunction
On: In operation
Press: Triggers angle of rotation adaptation, followed by standard mode button:

3 Push-button and LED display yellow

Off: Standard mode
On: Adaptation or synchronisation process active
Flickering: MP-Bus communication active
Flashing: Request for addressing from MP client
Press button: Confirmation of the addressing

4 Manual override button

Press button: Gear train disengages, motor stops, manual override possible
Release button: Gear train engages, standard mode

5 Service plug

For connecting parametrisation and service tools

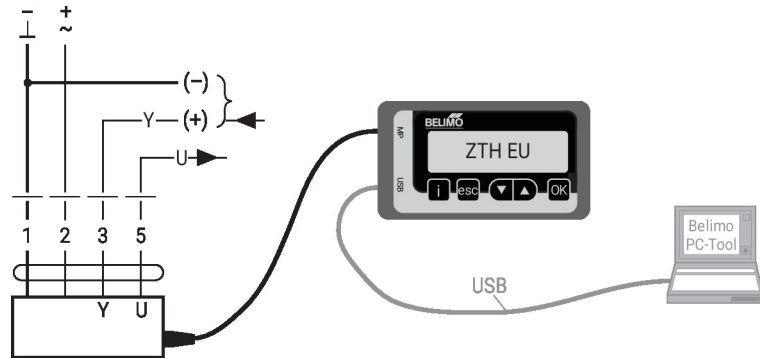
Check power supply connection

2 Off and **3** On Possible wiring error in power supply

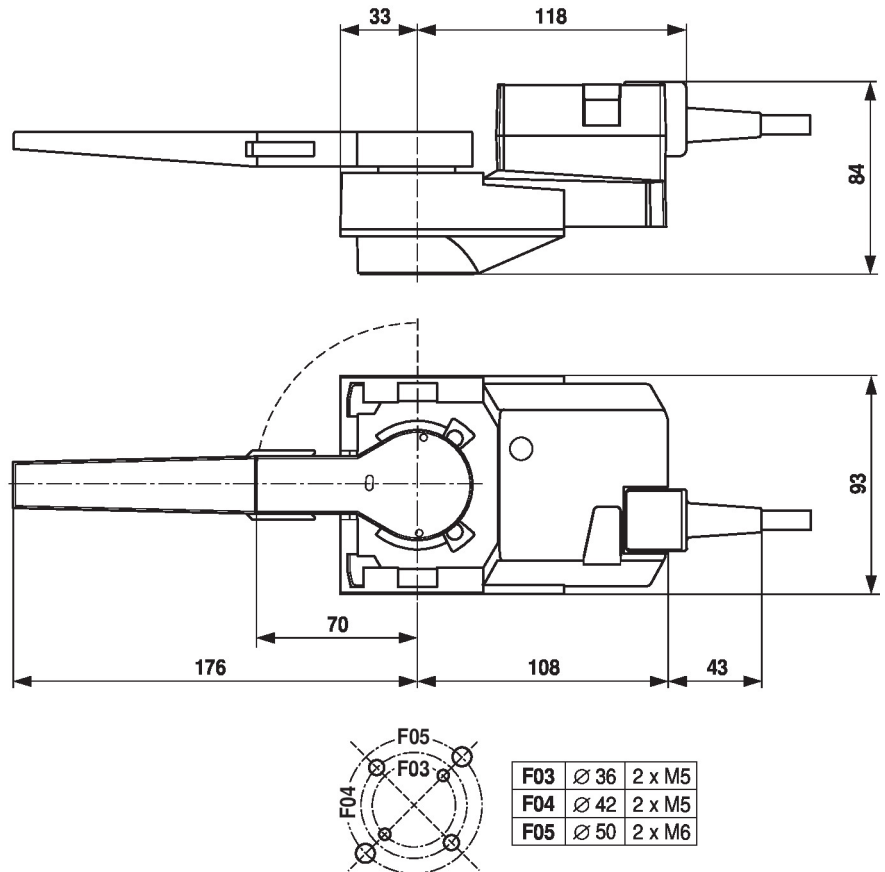
Service

Tools connection The actuator can be parametrised by ZTH EU via the service socket. For an extended parametrisation the PC tool can be connected.

Connection ZTH EU / PC-Tool



Dimensions



Further documentation

- Overview MP Cooperation Partners
- Tool connections
- Introduction to MP-Bus Technology
- The complete product range for water applications
- Data sheets for ball valves
- Installation instructions for actuators and/or ball valves
- General notes for project planning