

71416-00001.G

1

optional

- 1 x 4-6mm
- 1 x 8-10mm
- 1 x UNF 3/8" - 24
- 1 x UNF 1/4" - 28
- 1 x UNF 1/4" - 32
- 1 x M10
- 1 x M8
- 1 x M6
- 2 x
- 2 x M8 x 12
- 2 x M8

2

4 mm / 9 Nm

optional

M8

3

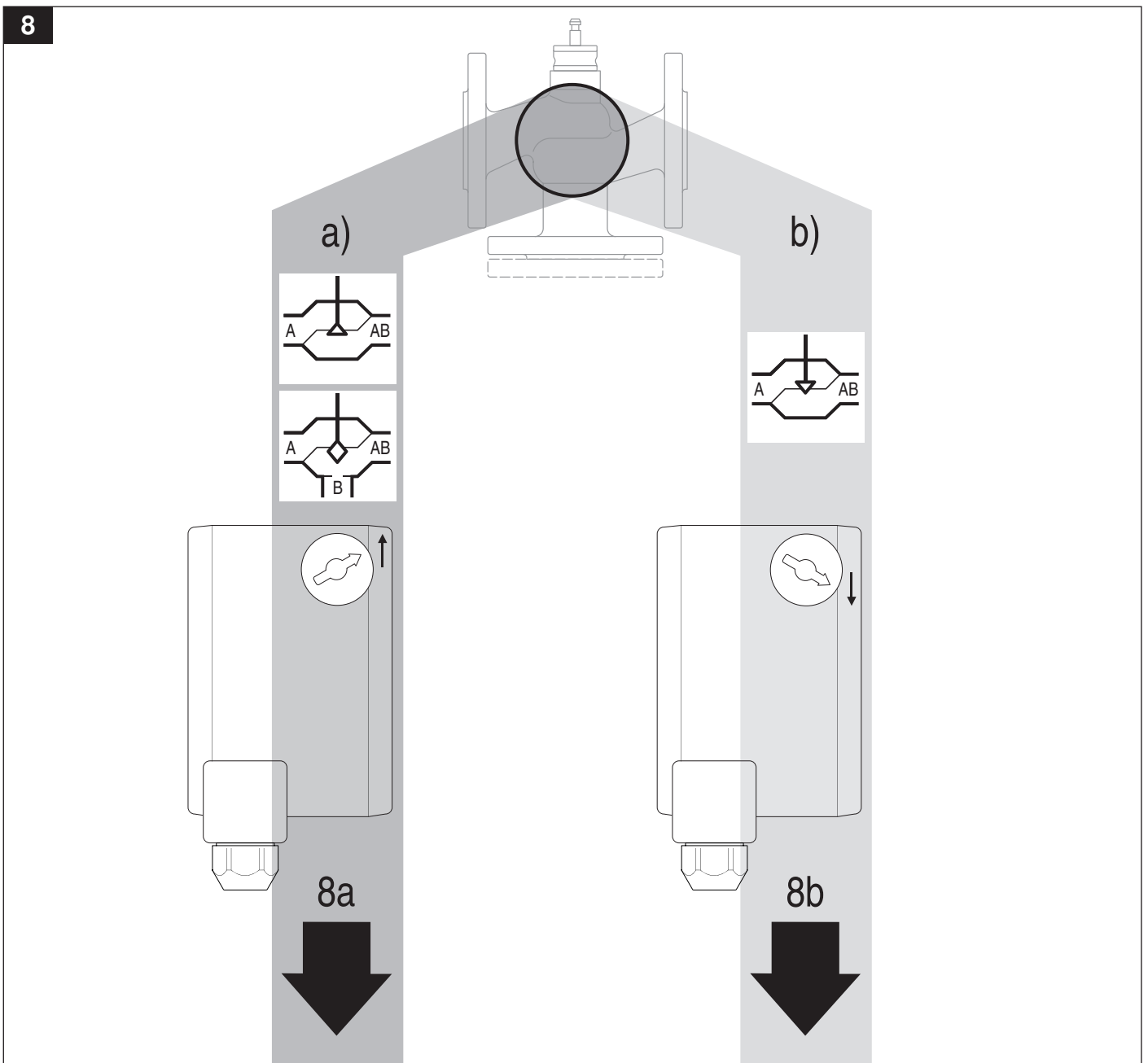
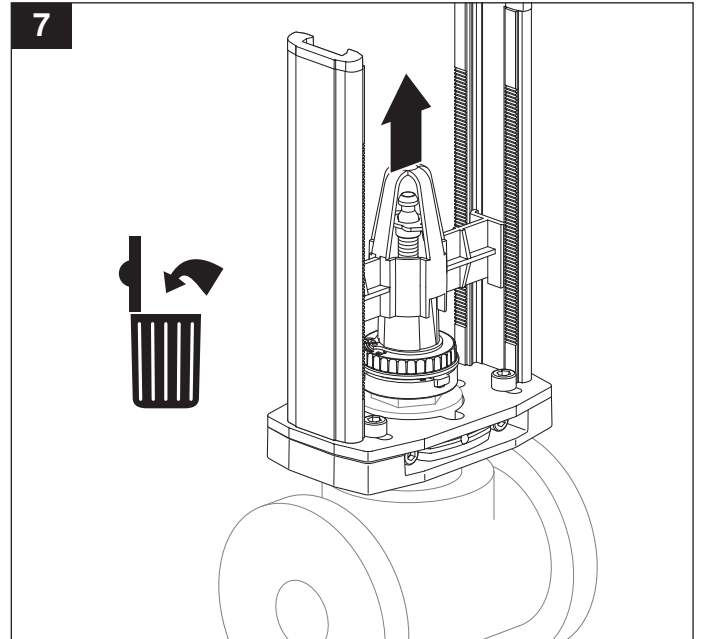
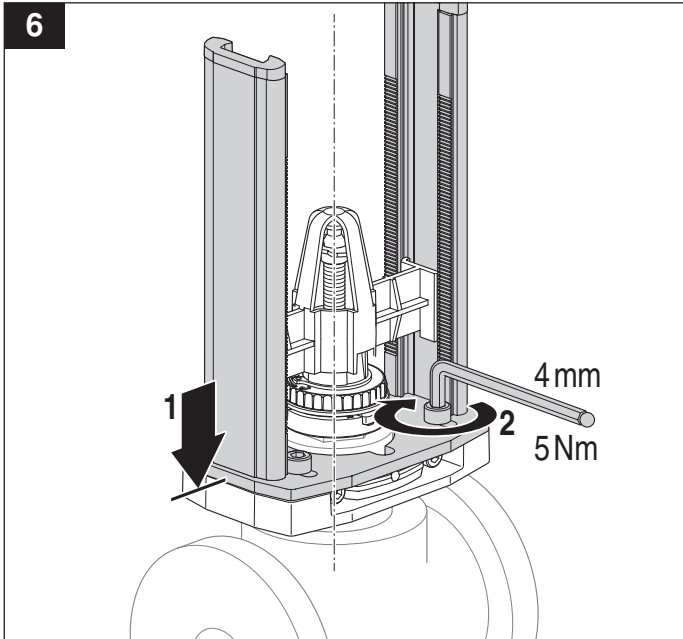
4

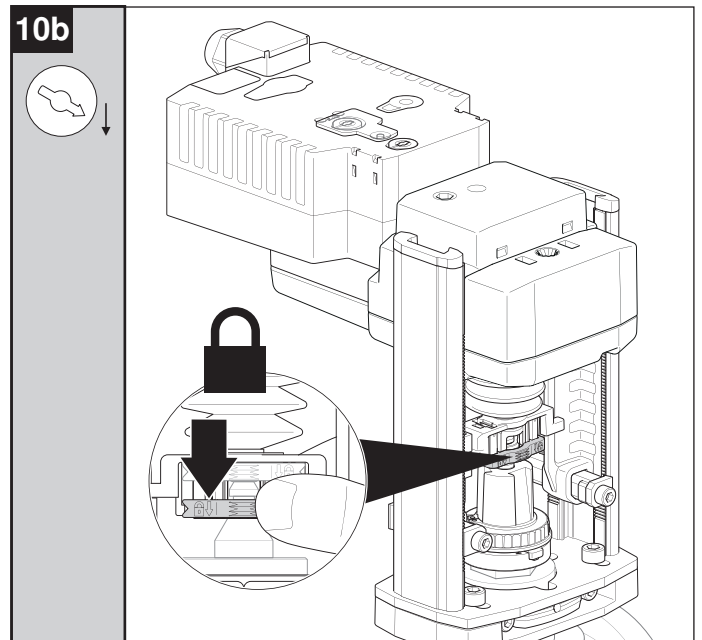
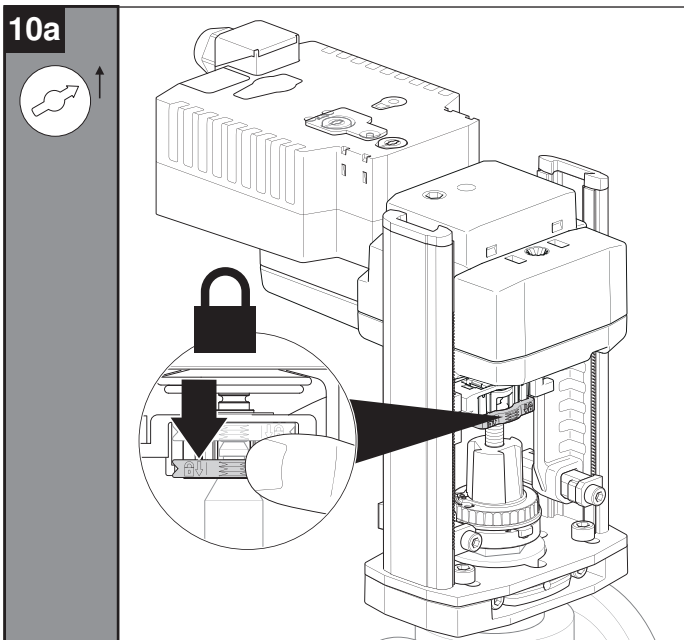
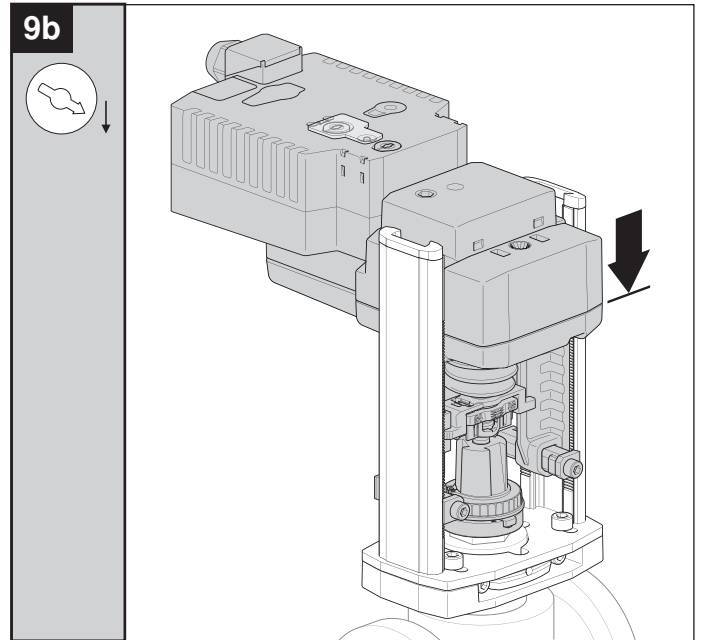
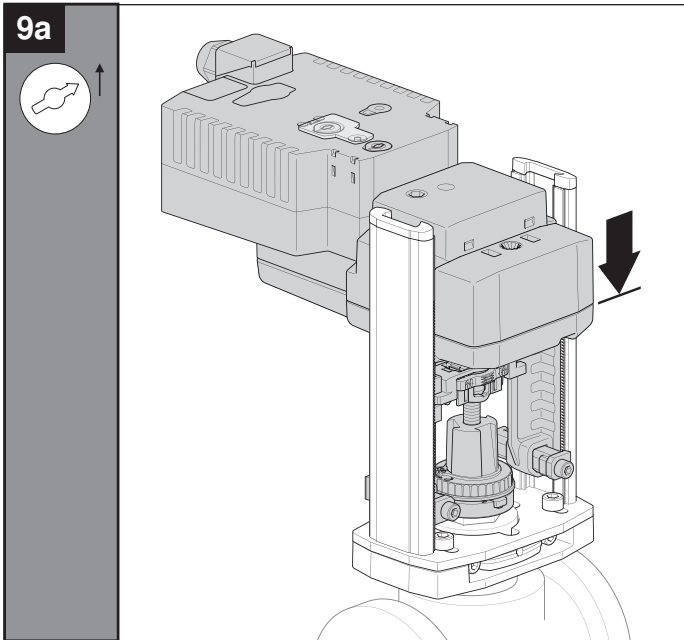
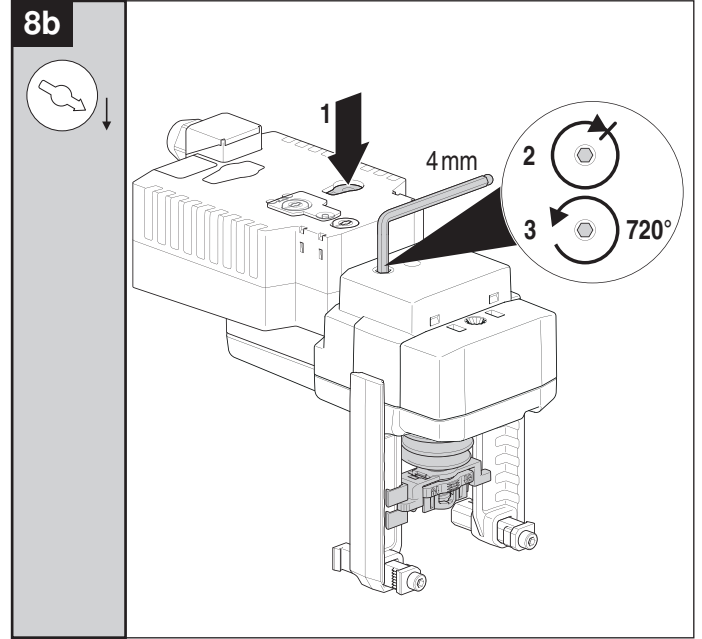
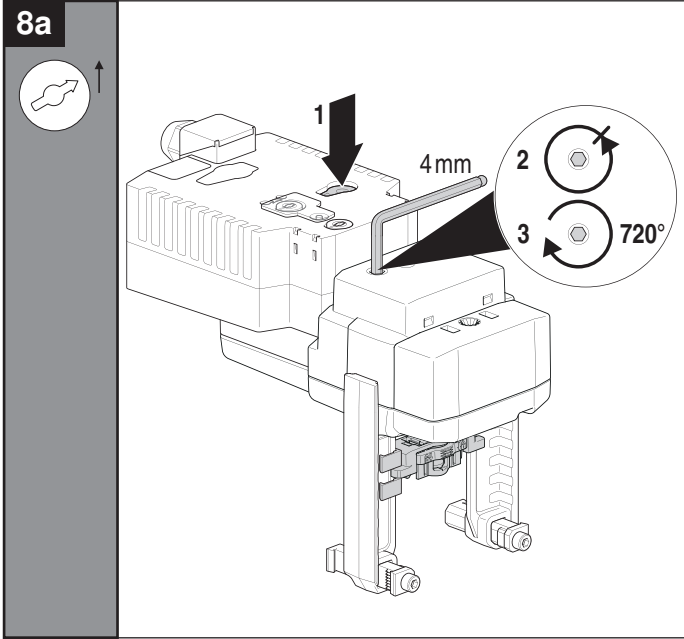
optional

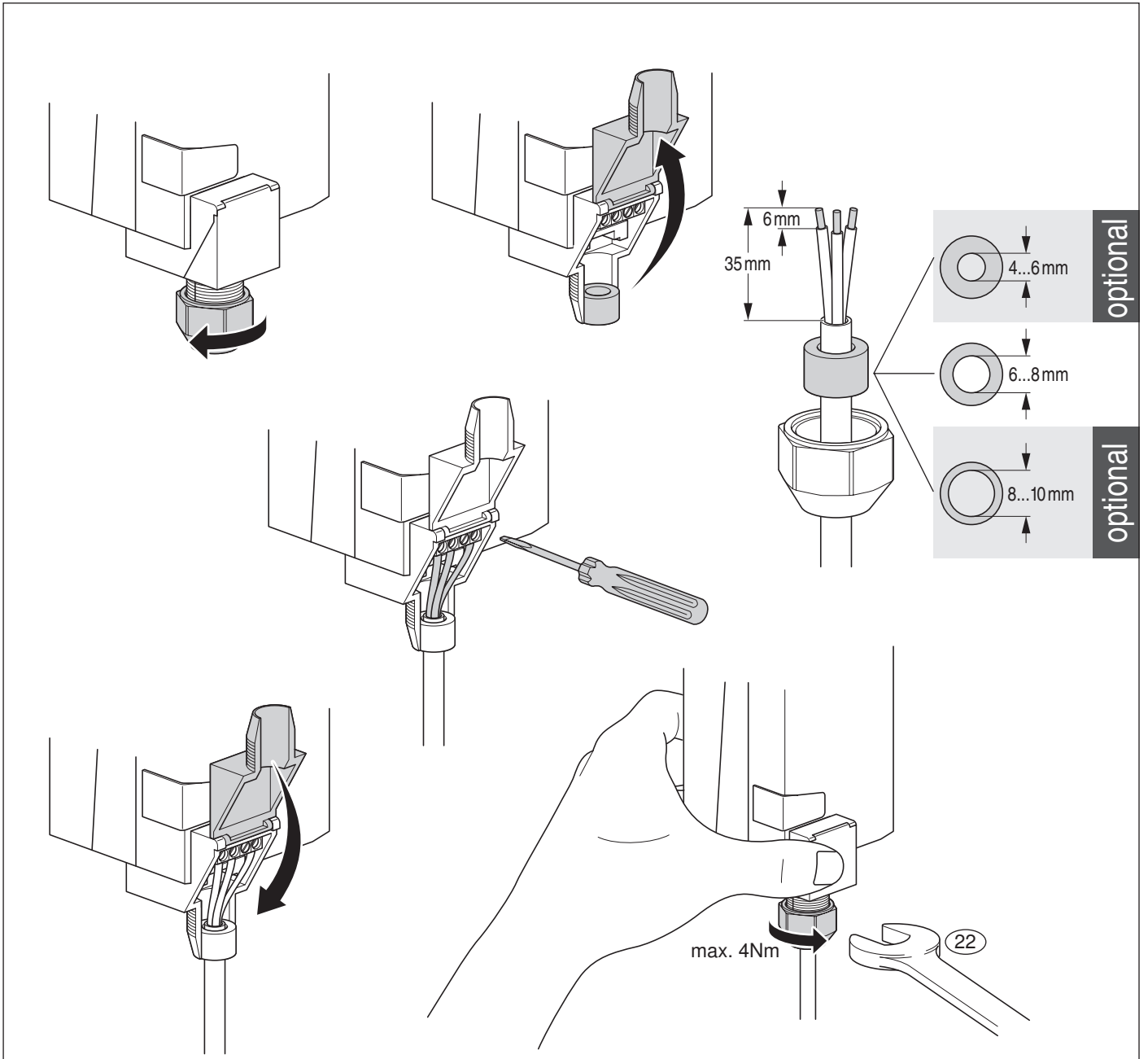
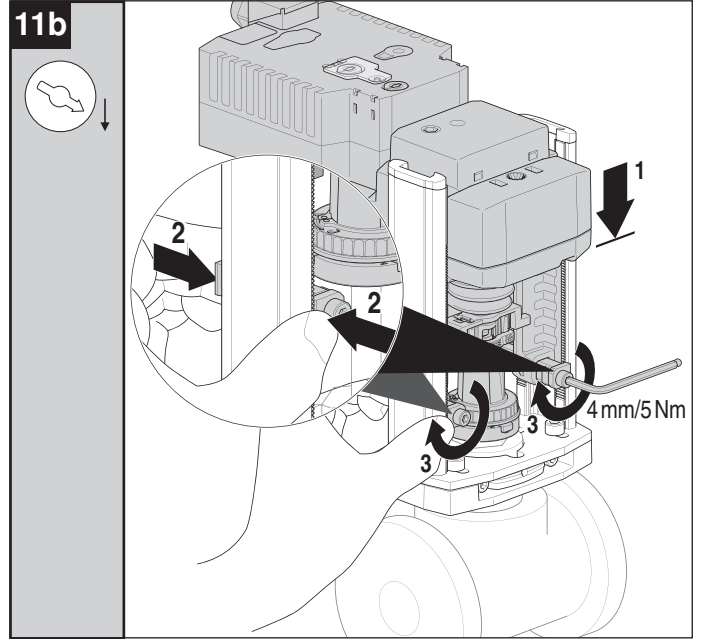
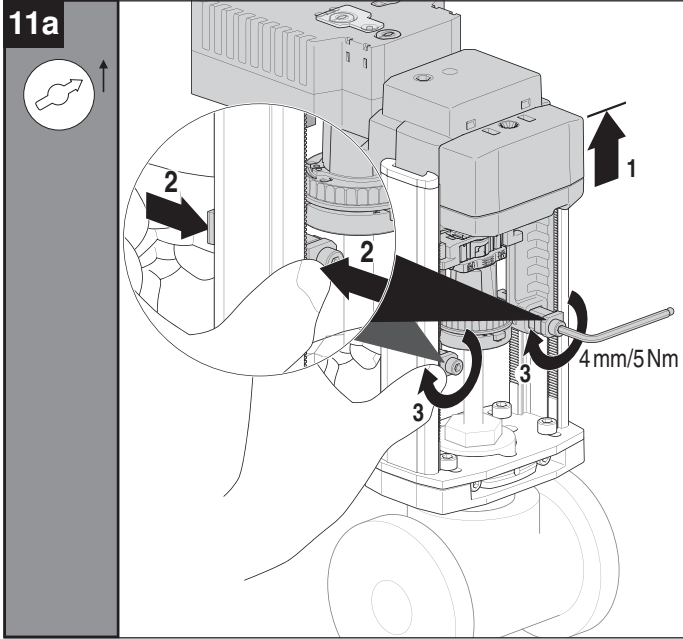
5

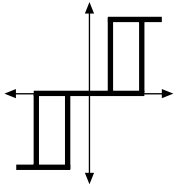


www.belimo.com/safety

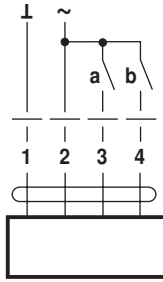




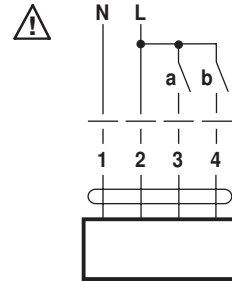




AC 24 V



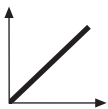
AC 230 V



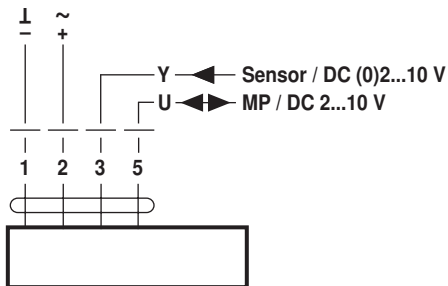
LVK24A-3-RE
NVK(C)24A-3-RE
SVK24A-3-RE

LVK230-3-RE
NVK(C)230-3-RE
SVK230-3-RE

3 a	4 b		
		↓	↑
		—	—
		↑	↓
		↓	↑



AC 24 V / DC 24 V



LVK24A-MP-RE
NVK(C)24A-MP-RE
SVK24A-MP-RE