

Data collection for RetroFIT globe valve adapters

In the case of third-party valves for which no standard RetroFIT solutions from Belimo are available, a customer-specific solution can be implemented, starting with batch sizes of 1 unit. Please email the filled-out data collection sheet to your contact person at Belimo.

Last name /
First name _____
Telephone _____
Email _____

Company _____
Street _____
Postal code / City _____

Date _____

Signature _____

Data collection for globe valves

Please enter only one valve type per collection sheet!

Select the matching valve type based on the pictures below and tick it.

Please enter the dimensions in mm in the right-hand column.

Fig. 1

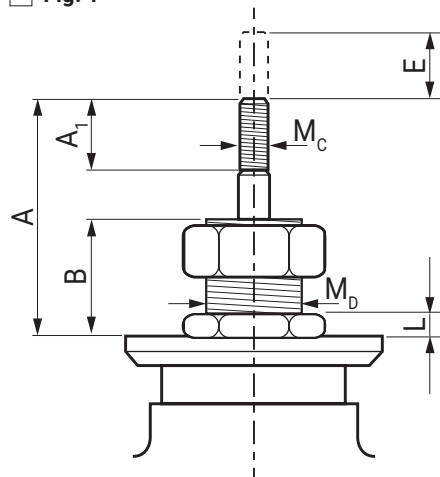


Fig. 2

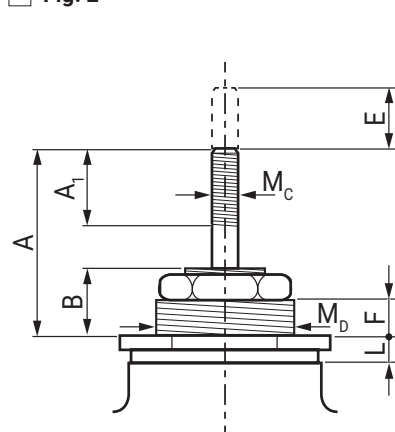


Fig. 3

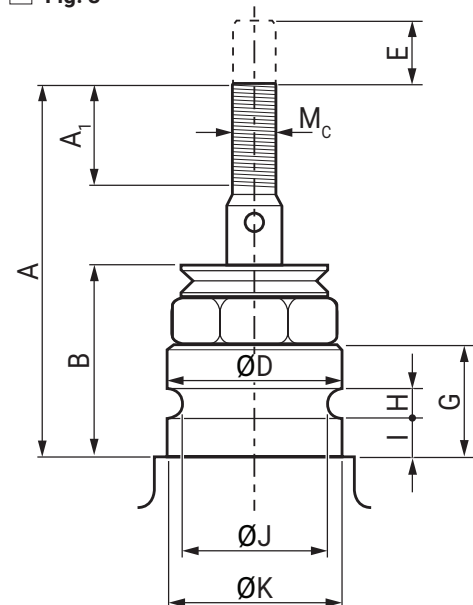
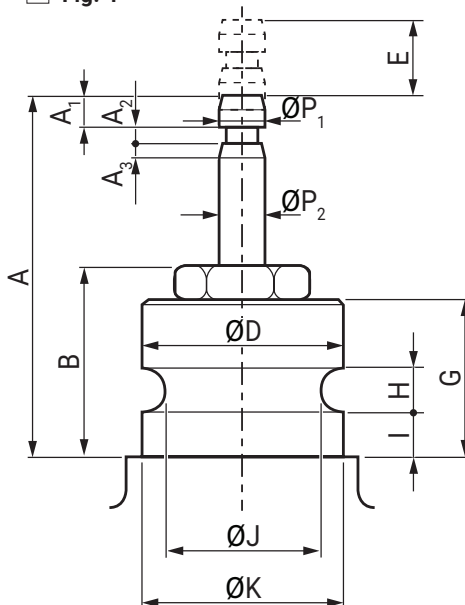


Fig. 4



Dimensions in mm

A _____
A₁ _____
A₂ _____
A₃ _____
B _____
M_D _____
E _____
M_C _____
Ø P₁ _____
Ø P₂ _____
Ø D _____
Ø K _____
I _____
H _____
G _____

Legend

A Stem length
M_C Stem thread
M_D Valve neck thread
Ø P Stem diameter
E Stroke

