

**Globe valve, 3-way, Flange, PN 16**

- For closed cold and warm water systems
- For modulating control of air-handling and heating systems on the water side


**Type overview**

Type	DN	kvs [m³/h]	Stroke	PN	n(gl)	Sv min.
H711N	15	0.63	15 mm	16	3	50
H712N	15	1	15 mm	16	3	50
H713N	15	1.6	15 mm	16	3	50
H714N	15	2.5	15 mm	16	3	50
H715N	15	4	15 mm	16	3	50
H720N	20	6.3	15 mm	16	3	100
H725N	25	10	15 mm	16	3	100
H732N	32	16	15 mm	16	3	100
H740N	40	25	15 mm	16	3	100
H750N	50	40	15 mm	16	3	100
H764N	65	58	18 mm	16	3	100
H765N	65	63	30 mm	16	3	100
H779N	80	90	18 mm	16	3	100
H780N	80	100	30 mm	16	3	100
H7100N	100	145	30 mm	16	3	100
H7125N	125	220	40 mm	16	3	100
H7150N	150	320	40 mm	16	3	100

**Technical data**

<b>Functional data</b>	Fluid	Cold and warm water, water with glycol up to max. 50% vol.
	Fluid temperature	-10...120°C [14...248°F]
	Fluid temperature note	At a fluid temperature of -10...2°C, a spindle heating is needed.
	Flow characteristic	Control path A – AB: equal percentage (VDI/VDE 2173) n(gl) = 3, optimised in the opening range, Bypass B – AB: linear (VDI/VDE 2173)
	Leakage rate	Control path A – AB: max. 0.05% of the kvs value; Bypass B – AB: max. 1% of the kvs value
	Closing point	Top (▲)
	Pipe connection	Flange PN 16 according to ISO 7005-2
	Installation position	upright to horizontal (in relation to the stem)
	Servicing	maintenance-free
	<b>Materials</b>	Valve body
Body finish		with protective paint
Closing element		Stainless steel
Spindle		Stainless steel
Spindle seal		EPDM O-ring
Seat		GG25 / Niro (Bypass)

Safety notes



- The valve has been designed for use in stationary heating, ventilation and air-conditioning systems and must not be used outside the specified field of application, especially in aircraft or in any other airborne means of transport.
- Only authorised specialists may carry out installation. All applicable legal or institutional installation regulations must be complied during installation.
- The valve does not contain any parts that can be replaced or repaired by the user.
- The valve may not be disposed of as household refuse. All locally valid regulations and requirements must be observed.
- When determining the flow rate characteristic of controlled devices, the recognised directives must be observed.

Product features

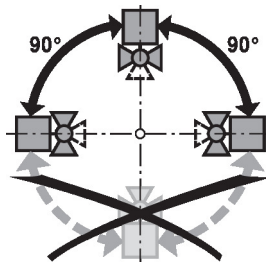
- Mode of operation** The globe valve is adjusted by a globe valve actuator. The actuators are controlled by a commercially available modulating or 3-point control system and move the valve cone, which acts as a mixing device, to the opening position dictated by the control signal.
- Flow characteristic** An equal percentage flow characteristic in the flow direction is produced by the profile of the valve cone. The bypass exhibits a linear characteristic curve.
- Fluid velocity** Standard values for low-noise operation in HVAC systems are medium velocities of 1...2 m/s. At fluid velocities above 2 m/s, further flow effects as well as cavitation can occur. This can reduce the service life of a valve depending on the situation.

Accessories

Electrical accessories	Description	Type
	Stem heater DN 15...50 (45 W)	ZH24-1
	Stem heater DN 65...100 (60 W)	ZH24-1-C
	Stem heater DN 65...250 (60 W)	ZH24-1-B
	Stem heater DN 125...250 (60 W)	ZH24-1-D
Mechanical accessories	Description	Type
	Blanking flange PN 16 for globe valve DN 15	ZH715
	Blanking flange PN 16 for globe valve DN 20	ZH720
	Blanking flange PN 16 for globe valve DN 25	ZH725
	Blanking flange PN 16 for globe valve DN 32	ZH732
	Blanking flange PN 16 for globe valve DN 40	ZH740
	Blanking flange PN 16 for globe valve DN 50	ZH750
	Blanking flange PN 16 for globe valve DN 65	ZH765
	Blanking flange PN 16 for globe valve DN 80	ZH780
	Blanking flange PN 16 for globe valve DN 100	ZH7100
	Blanking flange PN 16 for globe valve DN 125	ZH7125
	Blanking flange PN 16 for globe valve DN 150	ZH7150

Installation notes

- Recommended installation positions** The globe valve may be mounted upright to horizontal. It is not permissible to mount the globe valves with the stem pointing downwards.



**Water quality requirements** The water quality requirements specified in VDI 2035 must be adhered to.

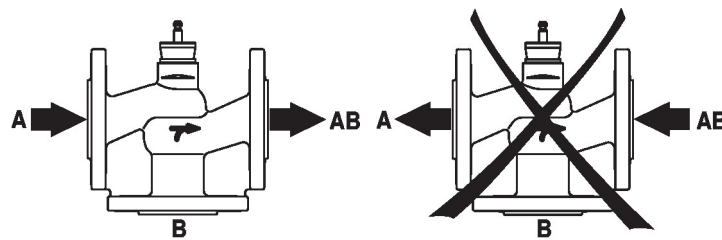
Belimo valves are regulating devices. For the valves to function correctly in the long term, they must be kept free from particle debris (e.g. welding beads during installation work). The installation of a suitable strainer is recommended.

**Servicing** Globe valves and globe valve actuators are maintenance-free.

Before any service work on the control element is carried out, it is essential to isolate the globe valve actuator from the power supply (by unplugging the electrical cables if necessary). Any pumps in the part of the piping system concerned must also be switched off and the appropriate slide valves closed (allow all components to cool down first if necessary and always reduce the system pressure to ambient pressure level).

The system must not be returned to service until the globe valve and the globe valve actuator have been reassembled correctly in accordance with the instructions and the pipeline has been refilled by professionally trained personnel.

**Flow direction** The direction of flow, specified by an arrow on the housing, is to be complied with, since otherwise the valve could become damaged.



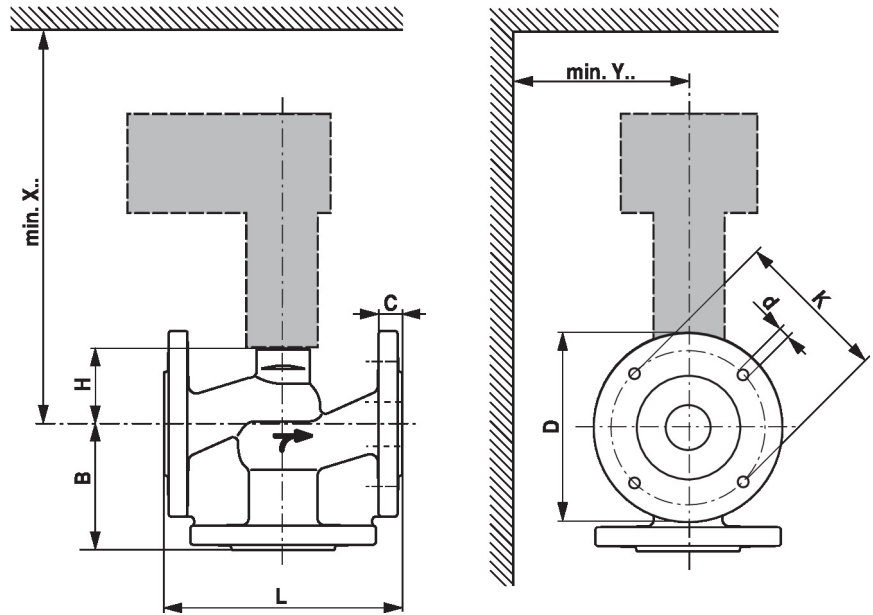
### Differential and close-off pressure

The maximum differential and close-off pressure of globe valves depends on the mounted globe valve actuator. To ensure optimum operation and maximum service life, the maximum differential and close-off pressure in the table below must not be exceeded.

ps <1600 kPa (PN16) t= +5... +120°C		LV..A.. 500N		NV..A.. 1000N		SV..A.. 1500N		AVK..A.. 2000N		EV..A.. 2500N		RV..A.. 4500N	
	DN	Δps [kPa]	Δpmax [kPa]	Δps [kPa]	Δpmax [kPa]	Δps [kPa]	Δpmax [kPa]	Δps [kPa]	Δpmax [kPa]	Δps [kPa]	Δpmax [kPa]	Δps [kPa]	Δpmax [kPa]
H711N ... 15N	15	1300	400	1600	400	1600	400						
H720N	20	900	400	1600	400	1600	400						
H725N	25	500	400	1300	400	1600	400						
H732N	32	350	350	1000	400	1600	400						
H740N	40	150	150	500	400	900	400						
H750N	50	70	70	300	300	550	400						
H764N	65			140	140	280	280						
H765N	65							400	400	550	400	1100	400
H779N	80			80	80	160	160						
H780N	80							250	250	350	350	700	400
H7100N	100							150	150	200	200	450	400
H7125N	125									130	130	290	290
H7150N	150									80	80	190	190

## Dimensions

## Dimensional drawings



X/Y: Minimum distance with respect to the valve centre.

The actuator dimensions can be found on the respective actuator data sheet.

Type	DN	L [mm]	B [mm]	H [mm]	C [mm]	D [mm]	d [mm]	K [mm]	X [mm]	Y [mm]	kg
H711N	15	130	65	46	14	95	4 x 14	65	290	100	2.6
H712N	15	130	65	46	14	95	4 x 14	65	290	100	2.6
H713N	15	130	65	46	14	95	4 x 14	65	290	100	2.6
H714N	15	130	65	46	14	95	4 x 14	65	290	100	2.6
H715N	15	130	65	46	14	95	4 x 14	65	290	100	3.3
H720N	20	150	70	46	16	105	4 x 14	75	290	100	4.8
H725N	25	160	75	52	16	115	4 x 14	85	300	100	5.8
H732N	32	180	95	56	18	140	4 x 18	100	300	100	8.2
H740N	40	200	100	64	18	150	4 x 18	110	310	100	10
H750N	50	230	100	64	20	165	4 x 18	125	310	100	13
H764N	65	290	120	100	20	185	4 x 18	145	350	100	20
H765N	65	290	120	100	20	185	4 x 18	145	450	150	20
H779N	80	310	130	110	22	200	8 x 18	160	360	150	25
H780N	80	310	130	110	22	200	8 x 18	160	460	150	25
H7100N	100	350	150	125	24	220	8 x 18	180	480	150	35
H7125N	125	400	200	154	26	250	8 x 18	210	530	150	57
H7150N	150	480	210	178	26	285	8 x 22	240	550	150	88

## Further documentation

- The complete product range for water applications
- Data sheets for globe valve actuators
- Installation instructions for valves and/or globe valve actuators
- Notes for project planning 2-way and 3-way globe valves