

Characterised control valve, 2-way, Flange, PN 6

- For open and closed cold and warm water systems
- For modulating control of air-handling and heating systems on the water side
- Air-bubble tight


**Type overview**

Type	DN	kvs [m <sup>3</sup> /h]	PN	n(gl)	Sv min.
R6015RP63-B1	15	0.63	6	3.2	50
R6015R1-B1	15	1	6	3.2	50
R6015R1P6-B1	15	1.6	6	3.2	50
R6015R2P5-B1	15	2.5	6	3.2	50
R6015R4-B1	15	4	6	3.2	100
R6020R6P3-B1	20	6.3	6	3.2	100
R6025R10-B2	25	10	6	3.2	100
R6032R16-B3	32	16	6	3.2	100
R6040R25-B3	40	25	6	3.2	100
R6050R40-B3	50	40	6	3.2	100

**Technical data**

<b>Functional data</b>	Fluid	Cold and warm water, water with glycol up to max. 50% vol.	
	Fluid temperature	-10...100°C [14...212°F]	
	Fluid temperature note	At a fluid temperature of -10...2°C, a spindle heater or a valve neck extension is recommended. The allowed fluid temperature can be limited, depending on the type of actuator. Limitations can be found in the respective data sheets of the actuators.	
	Close-off pressure Δps	600 kPa	
	Differential pressure Δpmax	100 kPa	
	Flow characteristic	equal percentage (VDI/VDE 2178), optimised in the opening range	
	Leakage rate	air-bubble tight, leakage rate A (EN 12266-1)	
	Angle of rotation	90°	
	Angle of rotation note	Operating range 15...90°	
	Pipe connection	Flange PN 6 according to EN 1092-1/4	
	Installation position	upright to horizontal (in relation to the stem)	
	Servicing	maintenance-free	
	<b>Materials</b>	Valve body	Nickel-plated brass body
		Body finish	nickel-plated
Closing element		Chrome-plated brass	
Spindle		Nickel-plated brass	
Spindle seal		EPDM O-ring	
Seat		PTFE, O-ring EPDM (DN 15, 25, 32, 40, 50) PTFE, O-ring Viton (DN 20)	
Characterised disc		ETFE	

<b>Materials</b>	Flange	Galvanized steel (DN 15, 20) Aluminium (DN 25, 32, 40, 50)
	Flange sealing surface	Nickel-plated brass

**Safety notes**


- The valve has been designed for use in stationary heating, ventilation and air-conditioning systems and must not be used outside the specified field of application, especially in aircraft or in any other airborne means of transport.
- Only authorised specialists may carry out installation. All applicable legal or institutional installation regulations must be complied during installation.
- The valve does not contain any parts that can be replaced or repaired by the user.
- The valve may not be disposed of as household refuse. All locally valid regulations and requirements must be observed.
- When determining the flow rate characteristic of controlled devices, the recognised directives must be observed.

**Product features**

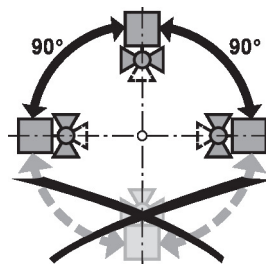
<b>Mode of operation</b>	The characterised control valve is adjusted by a rotary actuator. The actuator is controlled by a commercially available modulating or 3-point control system and moves the ball of the valve – the throttling device – to the position dictated by the control signal. Open the characterised control valve counterclockwise and close it clockwise.
<b>Flow characteristic</b>	Equal percentage flow control is ensured by the integrated characterising disc.

**Accessories**

Electrical accessories	Description	Type
	Stem heater DN 15...50 (20 W)	ZR24-2
Mechanical accessories	Description	Type
	Valve neck extension for ball valve DN 15...50	ZR-EXT-01

**Installation notes**

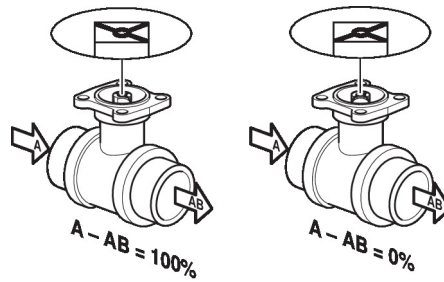
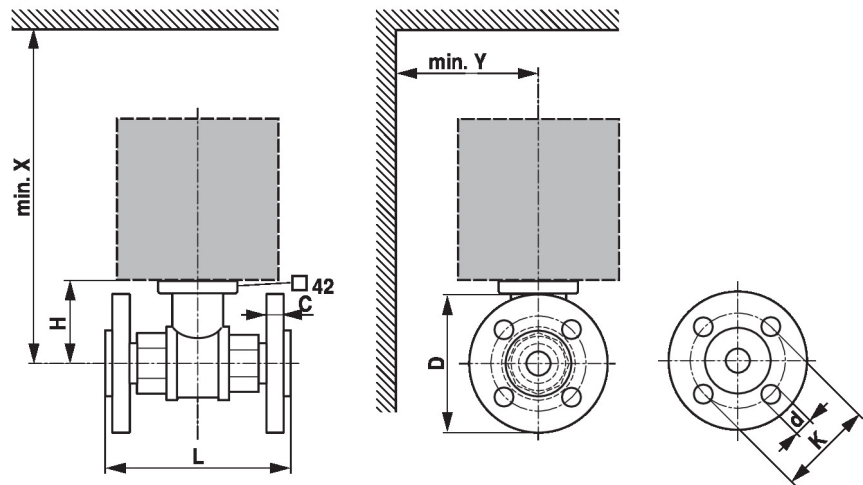
**Recommended installation positions** The ball valve can be installed upright to horizontal. The ball valve may not be installed in a hanging position, i.e. with the spindle pointing downwards.



**Water quality requirements** The water quality requirements specified in VDI 2035 must be adhered to. Belimo valves are regulating devices. For the valves to function correctly in the long term, they must be kept free from particle debris (e.g. welding beads during installation work). The installation of a suitable strainer is recommended.

**Servicing** Ball valves and rotary actuators are maintenance-free. Before any service work on the control element is carried out, it is essential to isolate the rotary actuator from the power supply (by unplugging the electrical cable if necessary). Any pumps in the part of the piping system concerned must also be switched off and the appropriate slide valves closed (allow all components to cool down first if necessary and always reduce the system pressure to ambient pressure level). The system must not be returned to service until the ball valve and the rotary actuator have been correctly reassembled in accordance with the instructions and the pipeline has been refilled by professionally trained personnel.

**Flow direction** The direction of flow, specified by an arrow on the housing, is to be complied with, since otherwise the ball valve could become damaged. Please ensure that the ball is in the correct position (marking on the spindle).


**Dimensions**
**Dimensional drawings**


X/Y: Minimum distance with respect to the valve centre.

The actuator dimensions can be found on the respective actuator data sheet.

Type	DN	L [mm]	H [mm]	C [mm]	D [mm]	d [mm]	K [mm]	X [mm]	Y [mm]	kg
<b>R6015RP63-B1</b>	15	101	35	10	80	4 x 11	55	230	90	1.2
<b>R6015R1-B1</b>	15	101	35	10	80	4 x 11	55	230	90	1.2
<b>R6015R1P6-B1</b>	15	101	35	10	80	4 x 11	55	230	90	1.2
<b>R6015R2P5-B1</b>	15	101	44	10	80	4 x 11	55	230	90	1.2
<b>R6015R4-B1</b>	15	101	44	10	80	4 x 11	55	230	90	1.2
<b>R6020R6P3-B1</b>	20	112	46	10	90	4 x 11	65	235	95	1.5
<b>R6025R10-B2</b>	25	132	46	14	100	4 x 11	75	235	100	1.4
<b>R6032R16-B3</b>	32	143	50.5	12	120	4 x 14	90	240	105	1.9
<b>R6040R25-B3</b>	40	151	50.5	12	130	4 x 14	100	240	110	2.3
<b>R6050R40-B3</b>	50	165	56	12	140	4 x 14	110	245	115	3.1

**Further documentation**

- The complete product range for water applications
- Data sheets for actuators
- Installation instructions for actuators and/or ball valves
- General notes for project planning