

Silencer U

FESTO



Characteristics

At a glance



To reduce noise and prevent contamination at the exhaust ports of pneumatic components.

- Compact design, polymer or die-cast
- Barbed connector or threaded connection
- Operating medium: compressed air

Note: Clean silencers with paraffin (not with petrol or trichloroethylene).

Product segmentation



Festo Core Range

Solves the majority of your automation tasks

With the Festo Core Range, we have selected the most important products and functions from our broad product catalogue, and added the quickest delivery. the Core Range offers you the best value with the expected high Festo quality.

- Quickest delivery, worldwide – wherever, whenever
- Expected high Festo quality
- Easy and fast to select

Type code

| 001 | | Series | |
|-----|--|----------|--|
| U | | Silencer | |

| 002 | | Pneumatic connection | |
|---------|--|-----------------------|--|
| 1/8 | | G1/8 | |
| 1/4 | | G1/4 | |
| 3/8 | | G3/8 | |
| 1/2 | | G1/2 | |
| 3/4 | | G3/4 | |
| 1 | | G1 | |
| 1-NPT | | 1 NPT | |
| 3/4-NPT | | 3/4 NPT | |
| PK-3 | | Barbed connector 3 mm | |
| PK-4 | | Barbed connector 4 mm | |

| 003 | | Product version | |
|-----|--|--------------------|--|
| | | Standard | |
| B | | Function-optimised | |

| 004 | | Thread type | |
|-----|--|---------------|--|
| | | Male thread | |
| I | | Female thread | |

| 005 | | Packaging quantity [pieces] | |
|-----|--|-----------------------------|--|
| | | 1 | |
| 20 | | 20 | |
| 50 | | 50 | |

Datasheet

Technical data – Sintered metal version

| | | |
|---------------------------------------|---|-----------|
| Pneumatic connection | PK-3 | PK-4 |
| Mounting position | optional | |
| Sound pressure level ¹⁾ | 70 dB(A) | 77 dB(A) |
| Flow rate to atmosphere ²⁾ | 310 l/min | 580 l/min |
| Operating pressure | 0 ... 1 MPa | |
| Operating pressure | 0 ... 10 bar | |
| Operating pressure | 0 ... 145 psi | |
| Operating medium | Compressed air to ISO 8573-1:2010 [7:-:-] | |
| Note on operating and pilot medium | Lubricated operation possible | |
| Ambient temperature | -10 ... 70°C | |
| Material screwed plug | Brass | |
| Material shock absorber insert | Bronze | |
| Note on materials | RoHS-compliant | |
| LABS (PWIS) conformity | VDMA24364-B1/B2-L | |

1) Measured at 6 bar relative to atmosphere at 1 m distance

2) Measured at p1 = 6 bar

Technical data – Polymer version, male thread

| | | | | | | |
|---------------------------------------|---|-------------|-------------|--------------|--------------|--------------|
| Pneumatic connection | G1/8 | G1/4 | G3/8 | G1/2 | G3/4 | G1 |
| Mounting position | optional | | | | | |
| Sound pressure level ¹⁾ | 74 dB(A) | 76 dB(A) | 82 dB(A) | | 85 dB(A) | 90 dB(A) |
| Flow rate to atmosphere ²⁾ | 2,000 l/min | 3,300 l/min | 6,000 l/min | 10,300 l/min | 17,600 l/min | 20,800 l/min |
| Operating pressure | 0 ... 1 MPa | | | | | |
| Operating pressure | 0 ... 10 bar | | | | | |
| Operating pressure | 0 ... 145 psi | | | | | |
| Operating medium | Compressed air to ISO 8573-1:2010 [7:-:-] | | | | | |
| Note on operating and pilot medium | Lubricated operation possible | | | | | |
| Ambient temperature | -10 ... 70°C | | | | | |
| Material shock absorber insert | PE | | | | | |
| Note on materials | RoHS-compliant | | | | | |
| LABS (PWIS) conformity | VDMA24364-B1/B2-L | | | | | |

1) Measured at 6 bar relative to atmosphere at 1 m distance

2) Measured at p1 = 6 bar

Technical data – Polymer version, female thread

| | |
|---------------------------------------|---|
| Pneumatic connection | G1/8 |
| Mounting position | optional |
| Sound pressure level ¹⁾ | 76.5 dB(A) |
| Flow rate to atmosphere ²⁾ | 2,050 l/min |
| Operating pressure | 0 ... 1 MPa |
| Operating pressure | 0 ... 10 bar |
| Operating pressure | 0 ... 145 psi |
| Operating medium | Compressed air to ISO 8573-1:2010 [7:-:-] |
| Note on operating and pilot medium | Lubricated operation possible |
| Ambient temperature | -10 ... 70°C |
| Material shock absorber insert | PE |
| Note on materials | RoHS-compliant |
| LABS (PWIS) conformity | VDMA24364-B1/B2-L |

1) Measured at 6 bar relative to atmosphere at 1 m distance

2) Measured at p1 = 6 bar

Datasheet

| Technical data – Die-cast metal version | | | | | | |
|---|--|-------------|-------------|-------------|--------------|--------------|
| Pneumatic connection | G1/8 | G1/4 | G3/8 | G1/2 | G3/4 | G1 |
| Mounting position | optional | | | | | |
| Sound pressure level ¹⁾ | 74 dB(A) | 80 dB(A) | 81 dB(A) | 83 dB(A) | 85 dB(A) | |
| Flow rate to atmosphere ²⁾ | 1,340 l/min | 2,440 l/min | 5,800 l/min | 7,500 l/min | 10,000 l/min | 17,500 l/min |
| Operating pressure complete temperature range | 0 ... 1 MPa | | | | | |
| Operating pressure complete temperature range | 0 ... 10 bar | | | | | |
| Operating pressure complete temperature range | 0 ... 145 psi | | | | | |
| Operating medium | Compressed air to ISO 8573-1:2010 [7:::] | | | | | |
| Note on operating and pilot medium | Lubricated operation possible | | | | | |
| Ambient temperature | -10 ... 70°C | | | | | |
| Corrosion resistance class CRC ³⁾ | 1 - Low corrosion stress | | | | | |
| Material housing | Aluminium | | | | | |
| Material screwed plug | Aluminium | | | | | |
| Material shock absorber insert | PE | | | | | |
| Note on materials | RoHS-compliant | | | | | |
| LABS (PWIS) conformity | VDMA24364-B1/B2-L | | | | | |

1) Measured at 6 bar relative to atmosphere at 1 m distance

2) Measured at p1 = 6 bar

3) More information: www.festo.com/x/topic/crc

| Technical data – Die-cast metal version (NPT) | |
|---|--|
| Pneumatic connection | 3/4 NPT |
| Mounting position | optional |
| Sound pressure level ¹⁾ | 81 dB(A) |
| Flow rate to atmosphere ²⁾ | 11,834 l/min |
| Operating pressure complete temperature range | 0 ... 1 MPa |
| Operating pressure complete temperature range | 0 ... 10 bar |
| Operating pressure complete temperature range | 0 ... 145 psi |
| Operating medium | Compressed air to ISO 8573-1:2010 [7:::] |
| Note on operating and pilot medium | Lubricated operation possible |
| Ambient temperature | -10 ... 70°C |
| Corrosion resistance class CRC ³⁾ | 1 - Low corrosion stress |
| Material housing | Aluminium |
| Material screwed plug | Aluminium |
| Material shock absorber insert | PE |
| Note on materials | RoHS-compliant |
| LABS (PWIS) conformity | VDMA24364-B1/B2-L |

1) Measured at 6 bar relative to atmosphere at 1 m distance

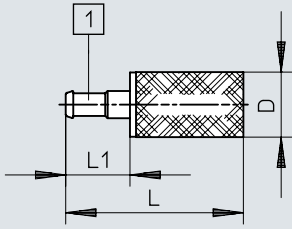
2) Measured at p1 = 6 bar

3) More information: www.festo.com/x/topic/crc

Dimensions

Dimensions – Version with sintered metal,-PK-3

Download CAD data → www.festo.com

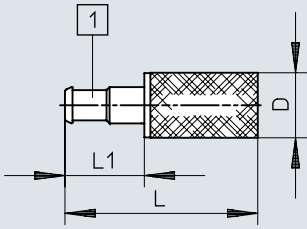


[1] Barbed connector for tubing, inside- \varnothing 3

| | D \varnothing | L | L1 |
|------|--------------------|------|-----|
| PK-3 | 8,6 | 23,5 | 8,5 |

Dimensions

Dimensions – Sintered metal version, -PK-4

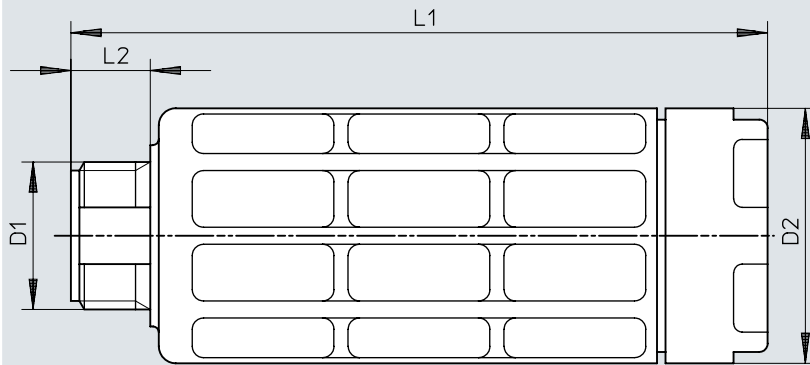
Download CAD data → www.festo.com[1] Barbed connector for tubing, inside- \varnothing 4

| | D \varnothing | L | L1 |
|------|--------------------|------|------|
| PK-4 | 8,6 | 25,5 | 10,5 |

Dimensions

Dimensions – Polymer version, male thread

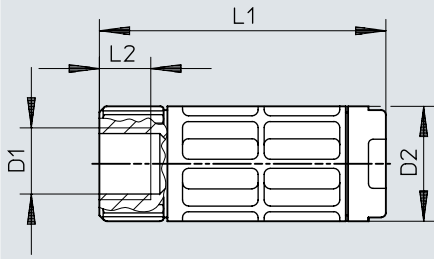
Download CAD data → www.festo.com



| D1 | D2 ø | L1 | L2 |
|------|---------|-------|------|
| G1/8 | 15,2 | 35,9 | 5,5 |
| G1/4 | 19 | 57 | 6,5 |
| G3/8 | 33,5 | 78,8 | 7,5 |
| G1/2 | 43 | 88,1 | 9 |
| G3/4 | 45 | 120,7 | 10,5 |
| G1 | 55 | 126,5 | 11,5 |

Dimensions

Dimensions – Polymer version, female thread

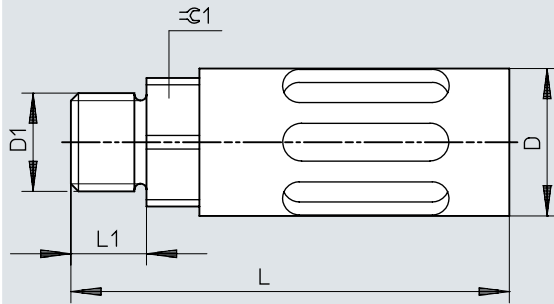
Download CAD data → www.festo.com

| D1 | D2 ∅ | L1 | L2 |
|------|---------|----|-----|
| G1/8 | 15,2 | 38 | 6,5 |

Dimensions

Dimensions – Die-cast metal version

Download CAD data → www.festo.com

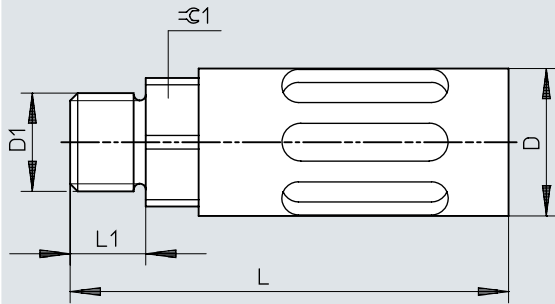


| D1 | D ∅ | L | L1 | ≡C1 |
|------|--------|-------|------|-----|
| G1/8 | 16 | 39,2 | 5,5 | 14 |
| G1/4 | 19,5 | 55,6 | 6,5 | 17 |
| G3/8 | 25 | 86,6 | 7,5 | 19 |
| G1/2 | 28 | 116,5 | 9 | 24 |
| G3/4 | 38 | 138 | 10,5 | 32 |
| G1 | 47,8 | 177 | 11,5 | 36 |

Dimensions

Dimensions – Die-cast metal version (NPT)

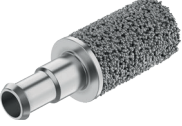
Download CAD data → www.festo.com




| D1 | D ∅ | L | L1 | ≡C1 |
|---------|--------|-----|----|-----|
| 3/4 NPT | 38 | 151 | 18 | 30 |

Ordering data


Ordering data – Sintered metal version

| | Pneumatic connection | Sound pressure level | Flow rate to atmosphere | Product weight | Part no. | Type |
|--|----------------------|----------------------|-------------------------|----------------|-------------|---------------|
|  | PK-3 | 70 dB(A) | 310 l/min | 4.5 g | 4646 | U-PK-3 |
| | PK-4 | 77 dB(A) | 580 l/min | 4.1 g | 4932 | U-PK-4 |


Ordering data – Polymer version, male thread

| | Pneumatic connection | Sound pressure level | Flow rate to atmosphere | Product weight | Part no. | Type |
|--|----------------------|----------------------|-------------------------|----------------|--------------------------------|---------------------------------|
|  | G1/8 | 74 dB(A) | 2,000 l/min | 2.3 g | ★ 2307 534222 | U-1/8 U-1/8-50 |
| | G1/4 | 76 dB(A) | 3,300 l/min | 7.7 g | ★ 2316 | U-1/4 |
| | | | | | 534223 | U-1/4-20 |
| | G3/8 | 82 dB(A) | 6,000 l/min | 29.6 g | ★ 2309 | U-3/8 |
| | | | | | 534224 | U-3/8-20 |
| | G1/2 | | 10,300 l/min | 58.2 g | 534225 ★ 2310 | U-1/2-20 U-1/2 |
| G3/4 | 85 dB(A) | 17,600 l/min | 83 g | ★ 2311 | U-3/4 | |
| G1 | 90 dB(A) | 20,800 l/min | 139.8 g | ★ 2312 | U-1 | |


Ordering data – Polymer version, female thread

| | Pneumatic connection | Sound pressure level | Flow rate to atmosphere | Product weight | Part no. | Type |
|--|----------------------|----------------------|-------------------------|----------------|-------------|----------------|
|  | G1/8 | 76.5 dB(A) | 2,050 l/min | 3.6 g | 3670 | U-1/8-I |

Ordering data – Die-cast version


| | Pneumatic connection | Sound pressure level | Flow rate to atmosphere | Product weight | Part no. | Type |
|--|----------------------|----------------------|-------------------------|----------------|---------------|----------------|
|  | G1/8 | 74 dB(A) | 1,340 l/min | 8 g | 6841 | U-1/8-B |
| | G1/4 | 80 dB(A) | 2,440 l/min | 17 g | 6842 | U-1/4-B |
| | G3/8 | | 5,800 l/min | 37 g | 6843 | U-3/8-B |
| | G1/2 | 81 dB(A) | 7,500 l/min | 75 g | 6844 | U-1/2-B |
| | G3/4 | 83 dB(A) | 10,000 l/min | 120 g | 6845 | U-3/4-B |
| | G1 | 85 dB(A) | 17,500 l/min | 233 g | 151990 | U-1-B |

Ordering data – Die-cast metal version (NPT)

| | Pneumatic connection | Sound pressure level | Flow rate to atmosphere | Product weight | Part no. | Type |
|--|----------------------|----------------------|-------------------------|----------------|---------------|--------------------|
|  | 3/4 NPT | 81 dB(A) | 11,834 l/min | 128 g | 566823 | U-3/4-B-NPT |

Ordering data

Ordering data – Die-cast metal version (NPT – for North America only)

| | Pneumatic connection | Sound pressure level | Flow rate to atmosphere | Product weight | Part no. | Type |
|---|----------------------|----------------------|-------------------------|----------------|---------------|--------------------|
|  | 1/8 NPT | 74 dB(A) | 1,450 l/min | 8 g | 12638 | U-1/8-B-NPT |
| | 1/4 NPT | 78 dB(A) | 3,000 l/min | 17 g | 12639 | U-1/4-B-NPT |
| | 3/8 NPT | 80 dB(A) | 4,500 l/min | 37 g | 12740 | U-3/8-B-NPT |
| | 1/2 NPT | | 6,500 l/min | 75 g | 12741 | U-1/2-B-NPT |
| | 1 NPT | | 15,102 l/min | 233 g | 571280 | U-1-B-NPT |