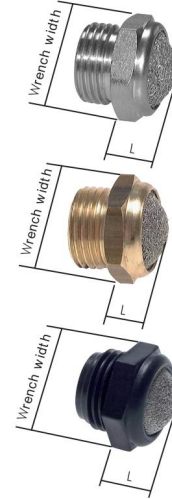


S-R6QB series

Compact Mufflers With Stainless Steel Wire Mesh



Brass	Nickel-plated brass	Stainless steel 1.4305	Polyamide	Connection	Wrench width	L
P2B84	P2B8B	P2B8J		M5	8	7
P2B85	P2B8C	P2B8K	P2B8S	G 1/8"	13	9
P2B86	P2B8D	P2B8M	P2B8T	G 1/4"	16	11
P2B87	P2B8E	P2B8N	P2B8U	G 3/8"	19	12
P2B88	P2B8F	P2B8P	P2B8V	G 1/2"	24	12
P2B89	P2B8G	P2B8Q		G 3/4"	30	16
P2B8A	P2B8H	P2B8R		G 1"	36	16
P2B8W	P2B94	P2B9A		NPT 1/8"	13	9
P2B8X	P2B95	P2B9B		NPT 1/4"	16	11
P2B8Y	P2B96	P2B9C		NPT 3/8"	19	12
P2B8Z	P2B97	P2B9D		NPT 1/2"	24	12
P2B92	P2B98	P2B9E		NPT 3/4"	30	16
P2B93	P2B99	P2B9F		NPT 1"	36	16

ENGLISH

Materials:
Wire mesh: 1.4301

Optional:
NPT thread

NEDERLANDS

Materialen:
Draadgaas: 1.4301

Optioneel:
NPT-schroefdraad

DEUTSCH

Werkstoffe:
Drahtgewebe: 1.4301

Optional:
NPT-Gewinde

FRANÇAIS

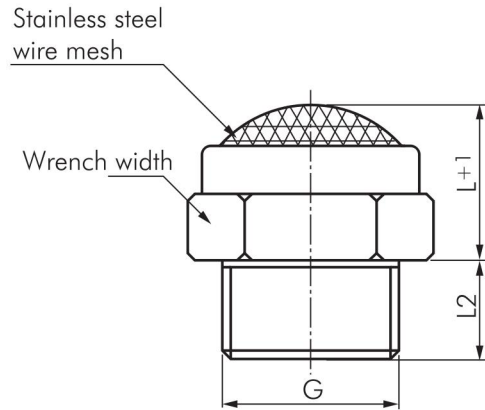
Matériaux:
grillage métallique: 1.4301

En option:
Filetage NPT

S-R6QB series

Compact Mufflers With Stainless Steel Wire Mesh

Dimensions



Stainless steel 1.4305	Connection	Wrench width	L	L2
P2B8J	M5	8	7	5.0
P2B8K	G 1/8"	13	9	6.0
P2B8M	G 1/4"	16	11	8.0
P2B8N	G 3/8"	19	12	8.0
P2B8P	G 1/2"	24	12	10.0
P2B8Q	G 3/4"	30	16	10.0
P2B8R	G 1"	36	16	11.5