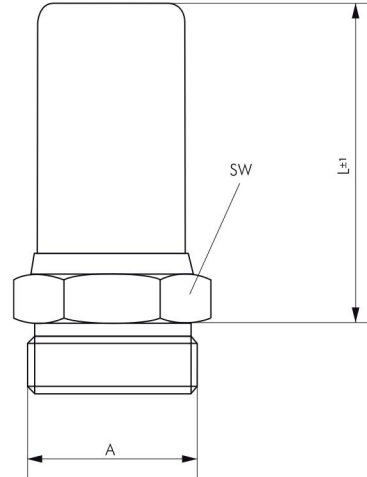


S-4NFD series

Stainless Steel Mufflers



Reference	A	SW	L
P2B73	M5	8	16
P2B74	G 1/8"	13	20
P2B75	G 1/4"	16	31
P2B76	G 3/8"	19	33
P2B77	G 1/2"	24	39
P2B78	G 3/4"	30	46
P2B79	G 1"	36	54
P2B7A	NPT 1/8"	13	20
P2B7B	NPT 1/4"	16	31
P2B7C	NPT 3/8"	19	33
P2B7D	NPT 1/2"	24	39

ENGLISH

Materials:

Body: 1.4305, filter: 1.4301

Optional:

NPT thread

NEDERLANDS

Materialen:

Lichaam: 1.4305, filter: 1.4301

Optioneel:

NPT-schroefdraad

DEUTSCH

Werkstoffe:

Körper: 1.4305, Filter: 1.4301

Optional:

NPT-Gewinde

FRANÇAIS

Matériaux:

Corps: 1.4305, filtre: 1.4301

En option:

Filetage NPT

Sound level

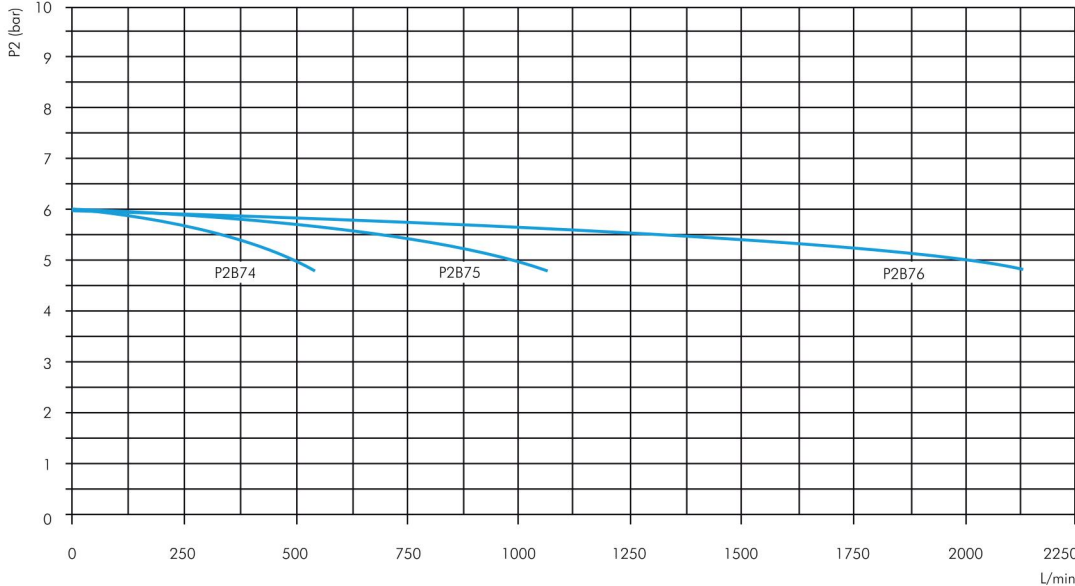
Reference	A	<dB1	<dB2	≥ΔdB
P2B74	G 1/8"	110.6	76.6	34.0
P2B75	G 1/4"	112.8	77.0	35.8
P2B76	G 3/8"	113.4	83.3	30.1
P2B77	G 1/2"	115.6	87.9	27.7
P2B78	G 3/4"	117.1	96.8	20.3
P2B79	G 1"	122.3	99.9	22.4
P2B7A	NPT 1/8"	110.6	76.6	34.0
P2B7B	NPT 1/4"	112.8	77.0	35.8
P2B7C	NPT 3/8"	113.4	83.3	30.1
P2B7D	NPT 1/2"	115.6	87.9	27.7

S-4NFD series

Stainless Steel Mufflers

Flow rate diagram

P2B74, P2B75, P2B76



P2B77, P2B78, P2B79

