

# Pressure regulators for water and air



Reference	Connection size, inch	H	H1	D	L	Pressure regulation range, bar	Pressure gauge display, bar	Mounting brackets	Switching panel nut
<b>Flow (water)*, l/min - 2,5; Flow (compressed air)**, l/min – 430</b>									
M27CT	G 1/4	104	23	36	45	0.5-10	0-16	M27JD	M27JH
M27CU	G 1/4	104	23	36	45	0.5-6	0-10	M27JD	M27JH
M27CV	G 1/4	104	23	36	45	0.5-16	0-25	M27JD	M27JH
M27CW	G 1/4	104	23	36	45	0.5-25	0-40	M27JD	M27JH
<b>Flow (water)*, l/min - 15; Flow (compressed air)**, l/min – 1250</b>									
M27CX	G 1/2	145	30	67	72	0.5-10	0-16	M27JE	M27JJ
M27CY	G 1/2	145	30	67	72	0.5-6	0-10	M27JE	M27JJ
M27CZ	G 1/2	145	30	67	72	0.5-16	0-25	M27JE	M27JJ
M27D2	G 1/2	145	30	67	72	0.5-25	0-40	M27JE	M27JJ
<b>Flow (water)*, l/min - 24; Flow (compressed air)**, l/min – 7830</b>									
M27D3	G 1	216	41	116	83	0.5-10	0-16	M27JF	
M27D4	G 1	216	41	116	83	0.5-6	0-10	M27JF	
M27D5	G 1	216	41	116	83	0.5-16	0-25	M27JF	
M27D6	G 1	216	41	116	83	0.5-25	0-40	M27JF	
<b>Flow (water)*, l/min - 56; Flow (compressed air)**, l/min – 12160</b>									
M27D7	G 1 1/2	240	50	116	114	0.5-10	0-16	M27JF	
M27D8	G 1 1/2	240	50	116	114	0.5-6	0-10	M27JF	
M27D9	G 1 1/2	240	50	116	114	0.5-16	0-25	M27JF	
M27DA	G 1 1/2	240	50	116	114	0.5-25	0-40	M27JF	

**ENGLISH**
**Version:**

non-relieving (without secondary venting)

**Materials:**

Body: brass, diaphragms and seals: NBR

**Temperature range:**

0°C to +90°C

**Input pressure:**

max. 40 bar

**Pressure gauge connection:**

G 1/4"

**Switch panel thread:**

DRW 1140: M 20 x 1,5, DRW 3340: M 28 x 1,5

**NEDERLANDS**
**Uitvoering:**

niet afstelbaar (zonder secundaire ventilatie)

**Materialen**

Lichaam: Messing, membraan en afdichtingen: NBR

**Temperatuurbereik:**

0°C tot +90°C

**Ingangsdruk:**

max. 40 bar

**Manometeraansluiting:**

G 1/4"

**Schroefdraad schakelpaneel:**

DRW 1140: M 20 x 1,5, DRW 3340: M 28 x 1,5

**DEUTSCH**
**Ausführung:**

nicht rücksteuerbar (ohne Sekundärentlüftung)

**Werkstoffe:**

Körper: Messing, Membrane und Dichtungen: NBR

**Temperaturbereich:**

0°C bis +90°C

**Eingangsdruk:**

max. 40 bar

**Manometeranschluss:**

G 1/4"

**Schalttafelgewinde:**

DRW 1140: M 20 x 1,5, DRW 3340: M 28 x 1,5

**FRANÇAIS**
**Modèle :**

non rétro-réglable (sans ventilation secondaire)

**Matériaux:**

Corps: laiton, membrane et joints: NBR

**Plage de température:**

0°C à +90°C

**Pression d'entrée:**

max. 40 bar

**Raccords pour manomètre:**

G 1/4"

**Filetage du tableau de commande:**

DRW 1140: M 20 x 1,5, DRW 3340: M 28 x 1,5

**Media:**  
Water, oiled and unoled compressed air, neutral gases

**Scope of delivery:**  
Pressure reducer including 50 mm pressure gauge

**Optional:**  
Other pressure regulation ranges: 0,5-6 bar -6\*\*, 0,5-16 bar -16, 0,5-25 bar -25

**Media:**  
Water, geoliede & niet geoliede perslucht, neutrale gassen

**Leveringsomvang:**  
Drukverminderingsventiel inclusief 50 mm manometer

**Optioneel:**  
Andere drukregelbereiken: 0,5-6 bar -6, 0,5-16 bar -16, 0,5-25 bar -25

**Medien:**  
Wasser, geölte & ungeölte Druckluft, neutrale Gase

**Lieferumfang:**  
Druckminderer einschließlich 50 mm Manometer

**Optional:**  
Andere Druckregelbereiche: 0,5-6 bar -6, 0,5-16 bar -16, 0,5-25 bar -25

**Fluides:**  
Eau, air comprimé huileux et non huileux, gaz neutres

**Livraison:**  
Réducteur de pression y compris manomètre 50 mm

**En option:**  
Autres plages de régulation de pression: 0,5-6 bar -6, 0,5-16 bar -16, 0,5-25 bar -25

## Description:

Pressure regulators protect water installations from excessive line pressure. They can also be used for industrial and commercial use in compliance with the specifications. When in use, pressure fluctuations are avoided, and water consumption is reduced. The set pressure is kept constant at different upstream pressures. At the same time, disturbing flow noises are reduced.

## Setting:

Turn the handwheel (for 25 bar adjusting screw) in by turning it clockwise until the desired pressure is indicated. The setting should be secured by the lock nut.

## Installation instructions:

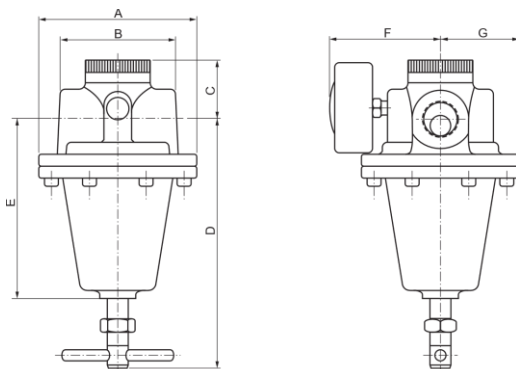
It is recommended to install a filter upstream. In the case of a house connection, install directly after the filter. Installation position is optional. Ensure correct flow direction.

## Spare parts:

Sealing cone complete

Complete diaphragm

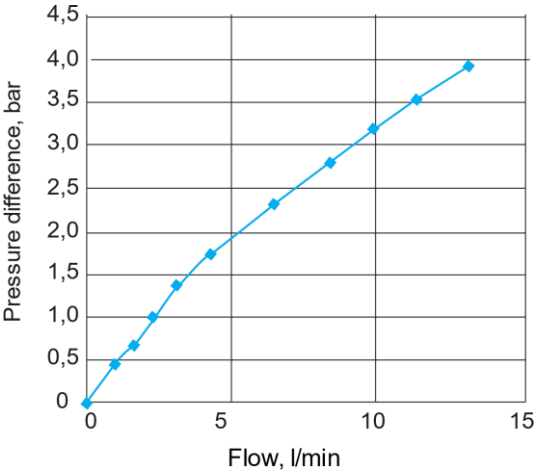
## Dimensions



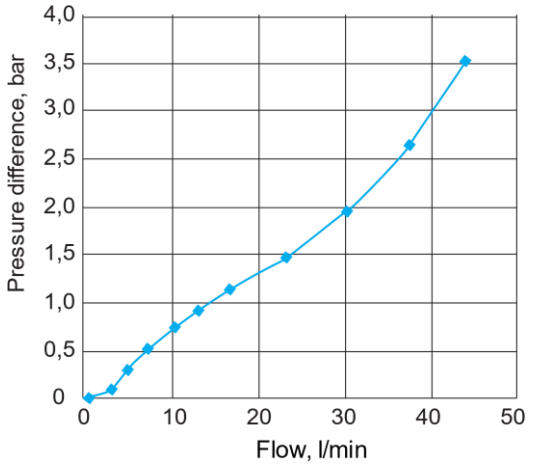
	A	B	C	D	E	F	G
<b>G 1/4 inch</b>	36	45	23	81	56	50	18
<b>G 1/2 inch</b>	67	72	30	115	76	55	36
<b>G 1 inch</b>	116	83	41	175	125	80	58
<b>G 1 1/2 inch</b>	116	114	50	190	140	80	58

**Flow – diagrams**

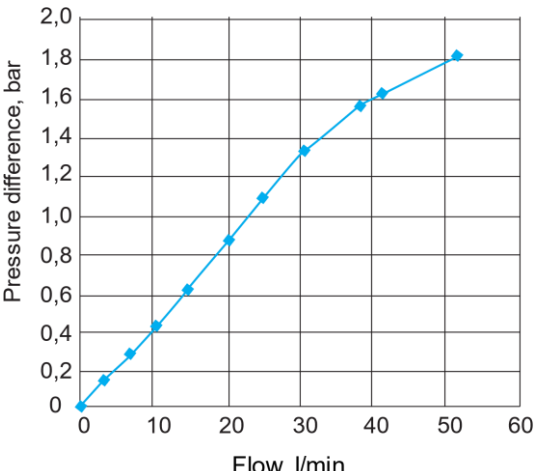
**G 1/4 inch**



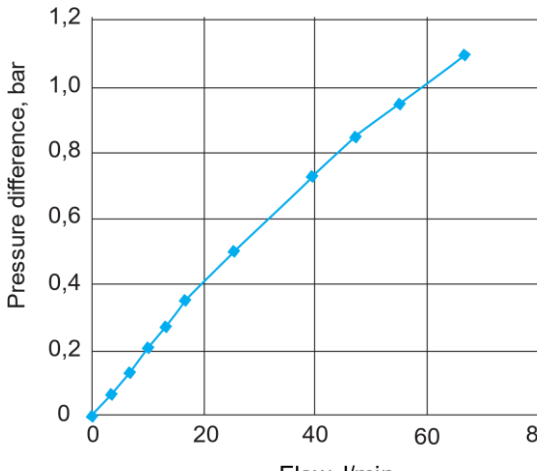
**G 1/2 inch**



**G 1 inch**

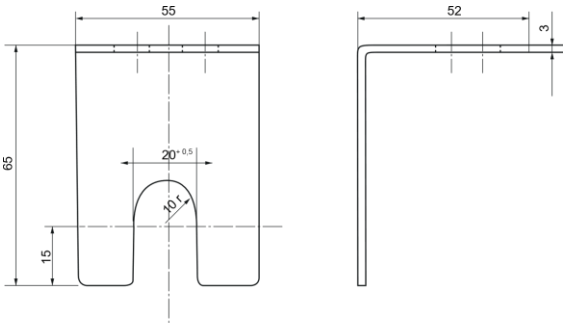


**G 1 1/2 inch**

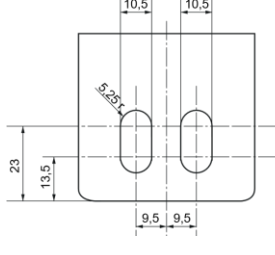
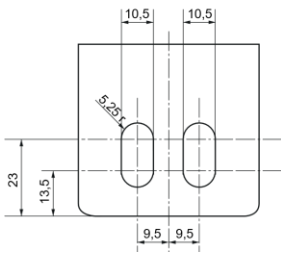
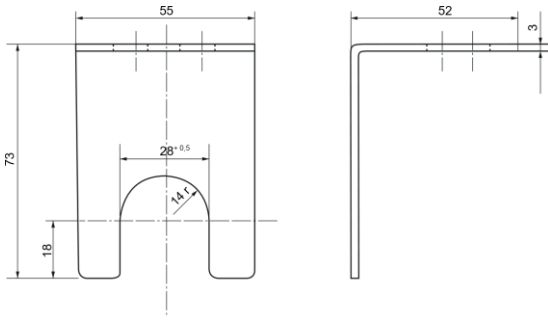


Mounting bracket

M27JD



M27JE



M27JF

