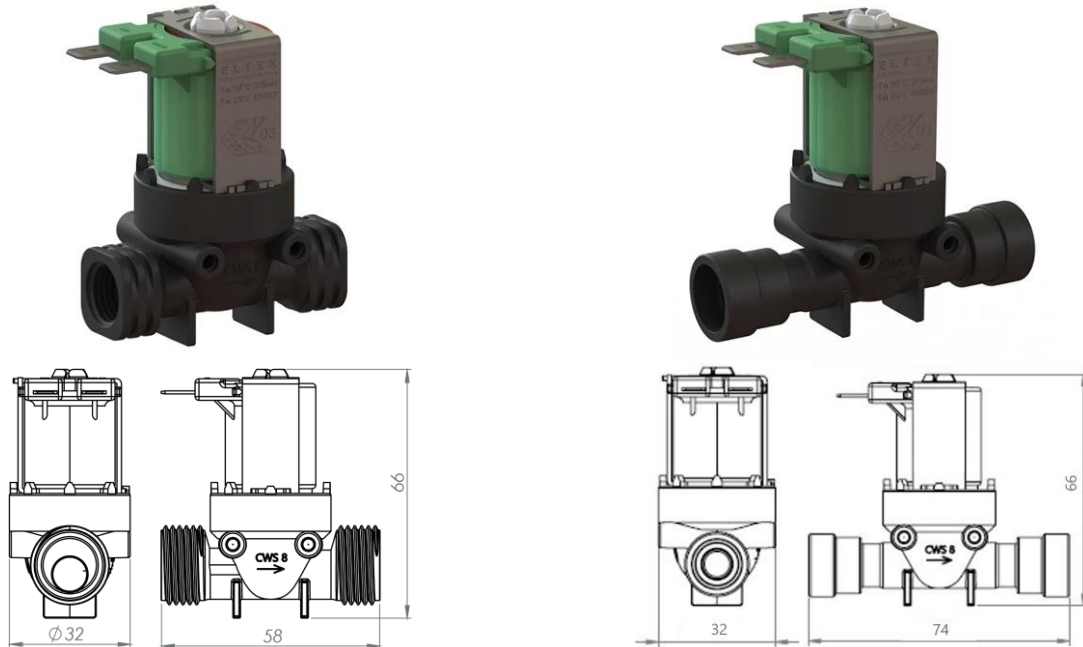


Plastic solenoid valves

Drinking water, anti-waterhammer, Faston 6.3 mm x 0.8 mm



Reference	Connection size	Connection type*	Voltage	Max torque**	Max pressure, bar
V3HG8	6 mm	Push-in	12 V DC		10
V3HG9	6 mm	Push-in	230 V AC		10
V3HGA	6 mm	Push-in	24 V AC		10
V3HGB	6 mm	Push-in	24 V DC		10
V3HGC	5/16 inch (8 mm)	Push-in	12 V DC		10
V3HGD	5/16 inch (8 mm)	Push-in	230 V AC		10
V3HGE	5/16 inch (8 mm)	Push-in	24 V AC		10
V3HGF	5/16 inch (8 mm)	Push-in	24 V DC		10
V3HGG	10mm	Push-in	12 V DC		7
V3HGH	10mm	Push-in	230 V AC		7
V3HGJ	10mm	Push-in	24 V AC		7
V3HGK	10mm	Push-in	24 V DC		7
V3HGM	1/4 inch (6.1 mm)	Push-in	12 V DC		10
V3HGN	1/4 inch (6.1 mm)	Push-in	230 V AC		10
V3HGP	1/4 inch (6.1 mm)	Push-in	24 V AC		10
V3HGQ	1/4 inch (6.1 mm)	Push-in	24 V DC		10
V3HGR	1/2 inch	BSPP-G, female	12 V DC	3 Nm	10
V3HGS	1/2 inch	BSPP-G, female	230 V AC	3 Nm	10
V3HGT	1/2 inch	BSPP-G, female	24 V AC	3 Nm	10
V3HGU	1/2 inch	BSPP-G, female	24 V DC	3 Nm	10
V3HGZ	1/4 inch	BSPP-G, female	12 V DC	1.5 Nm	10
V3HH2	1/4 inch	BSPP-G, female	230 V AC	1.5 Nm	10
V3HH3	1/4 inch	BSPP-G, female	24 V AC	1.5 Nm	10
V3HH4	1/4 inch	BSPP-G, female	24 V DC	1.5 Nm	10

* Push-in connection - Tube PE/PU +0.1/-0.05

** - Use only with BSPP thread with flat seal

Plastic solenoid valves

Drinking water, anti-waterhammer, Faston 6.3 mm x 0.8 mm

These plastic solenoid valves are normally closed (NC) and indirect operating. Their unique industrial design and "low water hammer construction" make them perfectly suited for all types of water installations. The materials used and rigorous checks carried out ensure maximum reliability and longevity. These valves offer distinctive features such as quick mounting on tubing and attachment using DIN-rail clips. They are economical due to their fast installation, making them a cost-effective choice.

Specifications	
Housing material	PA66-GF30
Seal material	EPDM
Operating range	0.2 – 10 bar (0.2 – 7 bar 10 mm Push-in)
Temperature range (medium), thread connection	90 °C 3/5 min, 25 °C 100%
Temperature range (medium), push-in connection	65 °C
Temperature range (ambient)	60 °C
Orifice	9 mm
Coil (faston) CE Class H, IP00	12 V DC – 7 W
	24 V DC – 8 W
	24 V AC – 3.2 W
	230 V AC – 6 VA
Function	Normally closed (NC)
Media	Clean water



12 V DC / 7 W



24 V DC / 8 W

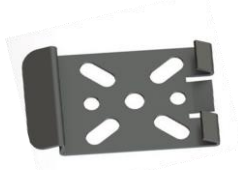


24 V AC / 3.2 W



230 V AC / 6 VA

Fast mounting system:



DIN rail mounting bracket
Only use PT screw for plastic
Size: 3.5 x 8 mm

Certifications
RoHS and EC 1907/2006 (REACH)
ACS DGSNS 4 n° 2000-232
NSF STD-61
WRAS BS6920-1
UL listed
KTW
RoHS and EC 1907/2006 (REACH)
ACS DGSNS 4 n° 2000-232