



### Features

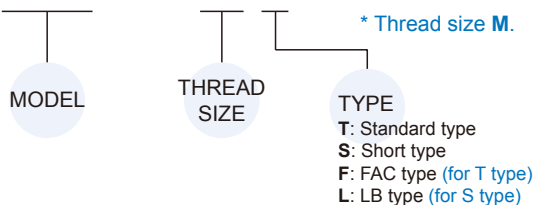
- Can be used in many applications.
- Strong simple construction designed for repetitive high usage.
- Wide range available.
- Simple structure, high rigidity.
- Reduce the requirement of concentricity between the cylinder and the other connected component.

### Cautions

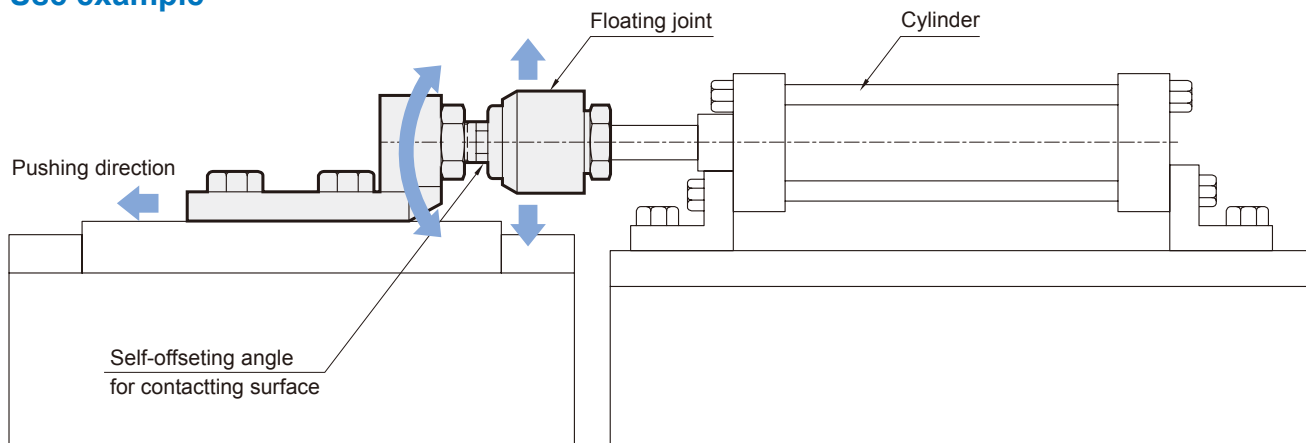
- Do not use on universal joint.
- Do not disassemble.
- Lubricant required.
- Usage temperature +5~60°C
- Do not use the end of the thread of the connecting rod.

### Order example

MFC — 1012 T — M12×1.5

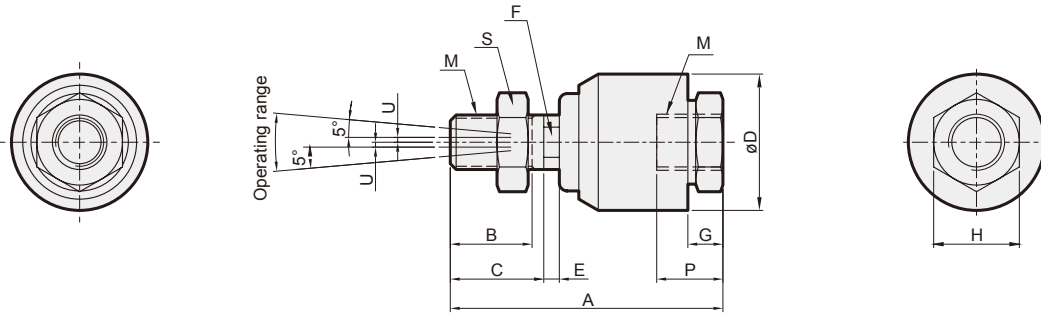


### Use example



STANDARD CYLINDER FLOATING JOINT

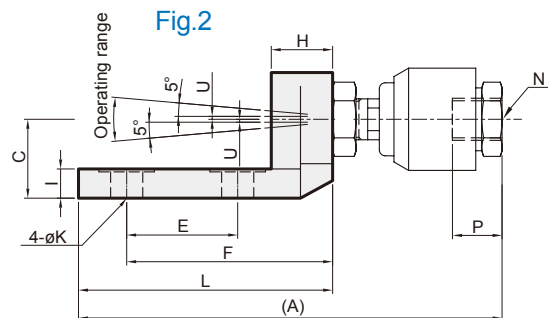
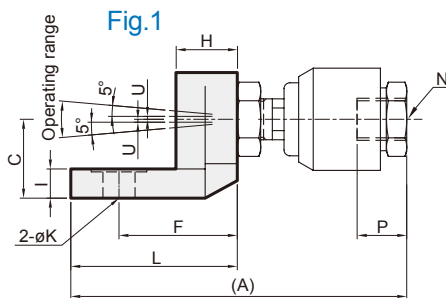
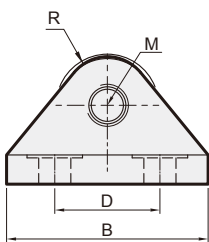
T



Model	Applicable cyl. dia. (mm)	A		B		C	øD	E	F	G	H	M	P		S	Permissible U deviation	Rot. angle	Permissible pressure	Maximum operating tension and compression force (N)	Weight (g)
		DIM.	TOL.	DIM.	TOL.								DIM.	TOL.						
MFC-1003T	6	24.5	±0.5	7	±0.5	8	12	2	∅3	3.5	8	M3×0.5	7	±0.5	M3×0.5×H2.5×B6	0.5	±5°	0.7MPa (max.) Pneumatic	19	10
MFC-1004T	8	26		8		9	12	2	∅4	4	8	M4×0.7	7		M4×0.7×H3.5×B8				54	10
MFC-1005T	10,15	38	±1.0	14	±1.0	15	18	3	∅5	5	10	M5×0.8	8.5	±1.0	M5×0.8×H4×B8	0.75	±5°	3.5MPa (max.) Pneumatic/Hydraulic	123	20
MFC-1006T	15	38		14		15	18	3	∅6	5	10	M6×1.0	8.5		M6×1.0×H5×B10				123	20
MFC-1008T	20	50	±1.0	18	±1.0	20	24	4	∅8	7	13	M8×1.25	12	±1.0	M8×1.25×H6×B13	1	±5°	3.5MPa (max.) Pneumatic/Hydraulic	1100	90
MFC-1010T	25,30	61		20		22	26	5	∅10	8	17	M10×1.25/1.5	14		M10×1.25/1.5×H6×B17				2500	110
MFC-1012T	40	58	±2.0	20	±2.0	22	28	5	∅12	8	17	M12×1.25/1.5/1.75	12	±2.0	M12×1.25/1.5/1.75×H7×B19	2	±5°	3.5MPa (max.) Pneumatic/Hydraulic	4400	110
MFC-1014T	40	70		21		24	35	7	∅14	9	22	M14×1.5	17		M14×1.5×H8×B22				6000	250
MFC-1016T	50,63	90	±2.0	26	±2.0	28	45	9	∅18	13.5	27	M16×1.5	23	±2.0	M16×1.5×H8×B23	2.5	±5°	3.5MPa (max.) Pneumatic/Hydraulic	11000	500
MFC-1018T	50,63	90		26		28	45	9	∅18	13.5	27	M18×1.5	23		M18×1.5×H8×B24				11000	500
MFC-1020T	80	103	±2.0	30	±2.0	32	50	8	∅22	16	32	M20×1.5	27	±2.0	M20×1.5×H8.5×B30	4	±5°	3.5MPa (max.) Pneumatic/Hydraulic	18000	720
MFC-1022T	80	103		30		32	50	8	∅22	16	32	M22×1.5	27		M22×1.5×H10×B32				18000	720
MFC-1024T	100	123	±2.0	38	±2.0	38	61	12	∅26	19	41	M24×1.5	33	±2.0	M24×1.5×H11×B35.5	5	±5°	3.5MPa (max.) Pneumatic/Hydraulic	28000	1300
MFC-1026T	100	123		38		38	61	12	∅26	19	41	M26×1.5	33		M26×1.5×H11×B35				28000	1300
MFC-1027T	125	154	±2.0	56	±2.0	58	63.5	19	∅29	20	41	M27×2.0	33	±2.0	M27×2.0×H10×B50	6	±5°	3.5MPa (max.) Pneumatic/Hydraulic	28000	1620
MFC-1030T	125,140	154		56		58	63.5	19	∅29	20	41	M30×1.5/2.0/3.5	33		M30×1.5/2.0/3.5×H10×B46				54000	1610
MFC-1036T	140,160	184	±2.0	69	±2.0	70	75	20	∅35	23	50	M36×1.5/2.0	42	±2.0	M36×1.5/2.0×H10×B50	4	±5°	3.5MPa (max.) Pneumatic/Hydraulic	71000	2820
MFC-1039T	140,160	184		69		70	75	20	∅35	23	50	M39×1.5	42		M39×1.5×H10×B50				71000	2820
MFC-1040T	160	194	±2.0	74	±2.0	74	85	15	∅43	25	69	M40×1.5/2.0	40	±2.0	M40×1.5/2.0×H12×B65	5	±5°	3.5MPa (max.) Pneumatic/Hydraulic	71000	4300
MFC-1045T	160	194		74		74	85	15	∅43	25	69	M45×1.5/2.0	40		M45×1.5/2.0×H12×B65				71000	4300
MFC-1050T	160	210	±2.0	70	±2.0	70	105	16	∅53	35	85	M50×2.0	55	±2.0	M50×2.0×H13×B65	6	±5°	3.5MPa (max.) Pneumatic/Hydraulic	80000	6980

L

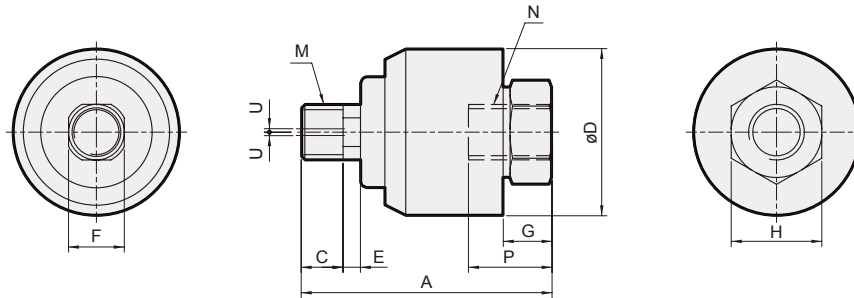
With T type floating joints.



Model	A	B	C	D	E	F	H	I	K	L	R	M	N	P		Illustration fig no.	Permissible U deviation	Rot. angle	Weight (g)
														DIM.	TOL.				
MFC-1008L	68	44	15	26	-	19	11	4	9	29	9	M8×1.25	M8×1.25	12	±1.0	Fig.1	0.5	±0.5°	150
MFC-1010L	84	44	19	26	-	24	12	5	9	35	10	M10×1.25/1.5	M10×1.25/1.5	14					0.75
MFC-1012L	81	44	19	26	-	24	12	5	9	35	10	M12×1.25/1.5/1.75	M12×1.25/1.5/1.75	12	±2.0	Fig.2	2	±0.5°	200
MFC-1014L	114	69	22	36	-	40.5	21	10	14	56	15	M14×1.5	M14×1.5	17					1
MFC-1016L	163	61	28	32	32	76	32	15	11	90	17	M18×1.5	M16×1.5	23	±2.0	Fig.2	2	±0.5°	1150
MFC-1018L	163	61	28	32	32	76	32	15	11	90	17	M18×1.5	M18×1.5	23					1.25
MFC-1020L	193	68	35	36	36	89	40	20	14	109	21	M22×1.5	M20×1.5	27	±2.0	Fig.2	2	±0.5°	1900
MFC-1022L	193	68	35	36	36	89	40	20	14	109	21	M22×1.5	M22×1.5	27					2
MFC-1024L	214	69	42	36	36	95	45	20	14	113	21	M26×1.5	M24×1.5	33	±2.0	Fig.2	2.5	±0.5°	2800
MFC-1026L	214	69	42	36	36	95	45	20	14	113	21	M26×1.5	M26×1.5	33					2.5

## STANDARD CYLINDER FLOATING JOINT

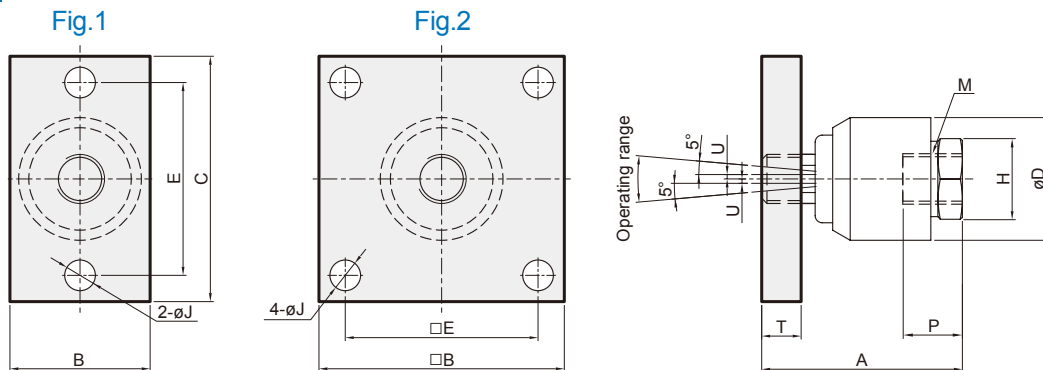
**S**



Model	Applicable cyl. dia. (mm)	A		C		$\phi D$	E	F	G	H	M	P		N	Permissible U deviation	Rot. angle	Maximum operating tension and compression force (N)	Weight (g)
		DIM.	TOL.	DIM.	TOL.							DIM.	TOL.					
MFC-1008S	20	36	$\pm 1.0$	6	$\pm 1.0$	24	4	□8	6.5	13	M8×1.0/1.25	12	$\pm 1.0$	M8×1.0/1.25	0.5	$\pm 0.5^\circ$	1100	60
MFC-1010S	25,30	48		9		26	5	□10	8	17	M10×1.25/1.5	14		M10×1.25/1.5	0.75		2500	97
MFC-1012S	40	46		9		28	5	□12	8	17	M12×1.25/1.5	12		M12×1.25/1.5	1		4400	100
MFC-1014S	40	59		11		35	7	□14	9	22	M14×1.5	17		M14×1.5	1.25		6000	220
MFC-1016S	50,63	77	$\pm 2.0$	13	$\pm 2.0$	45	9	□18	13	27	M18×1.5	23	$\pm 2.0$	M16×1.5	2	$\pm 0.5^\circ$	11000	480
MFC-1018S	50,63	77		13		45	9	□18	13	27	M18×1.5	23		M18×1.5			2.5	11000
MFC-1020S	80	90		18		50	10	□22	16	32	M20×1.5	27		M20×1.5	3		18000	660
MFC-1022S	80	90		18		50	10	□22	16	32	M20×1.5	27		M22×1.5			28000	660
MFC-1024S	100	107		20		60	12	□26	19	41	M26×1.5	33		M24×1.5	2.5		28000	1190
MFC-1026S	100	107		20		60	12	□26	19	41	M26×1.5	33		M26×1.5			28000	1180
MFC-1027S	125	117		20		63.5	19	□29	20	41	M30×1.5	33		M27×2.0			28000	1380
MFC-1030S	125,140	117		20		63.5	19	□29	20	41	M30×1.5/2.0/3.5	33		M30×1.5/2.0/3.5	3		36000	1420
MFC-1036S	140,160	133		25		75	20	□35	22	50	M36×1.5/2.0	40		M36×1.5/2.0			55000	2800
MFC-1045S	140,160	147		29		85	15	□43	24.5	69	M45×2.0	39		M45×1.5/2.0	55000		-	

**F**

With S type floating joints.



Model	A		B	C	$\phi D$	E	H	J	T	M	P		Illustration fig no.	Permissible U deviation	Rot. angle	Permissible pressure	Weight (g)
	DIM.	TOL.									DIM.	TOL.					
MFC-1008F	36	$\pm 1.0$	25	52	24	40	13	6.6	6	M8×1.0/1.25	12	$\pm 1.0$	Fig.1	0.5	$\pm 0.5^\circ$	3.5MPa (max.) Pneumatic / Hydraulic	130
MFC-1010F	48		32	56	26	44	17	6.6	9	M10×1.25/1.5	14			0.75			235
MFC-1012F	46		32	56	28	44	17	6.6	9	M12×1.25/1.5	12			1			240
MFC-1014F	59		38	80	35	60	22	11	11.6	M14×1.5	17			1.25			510
MFC-1016F	77	$\pm 2.0$	74	-	45	45	27	11	15	M16×1.5	23	$\pm 2.0$	Fig.2	2	$\pm 0.5^\circ$	3.5MPa (max.) Pneumatic / Hydraulic	1120
MFC-1018F	77		74	-	45	45	27	11	15	M18×1.5	23						1.25
MFC-1020F	90		100	-	50	62	32	14	21	M20×1.5	27			3			2280
MFC-1022F	90		100	-	50	62	32	14	21	M22×1.5	27						2
MFC-1024F	107		100	-	60	70	41	14	21	M24×1.5	33			2.5			2870
MFC-1026F	107		100	-	60	70	41	14	21	M26×1.5	33						2870
MFC-1027F	117		100	-	63.5	70	41	14	21	M27×2.0	33						3070
MFC-1030F	117		100	-	63.5	70	41	14	21	M30×1.5/2.0/3.5	33			3070			
MFC-1036F	133		130	-	75	95	50	16	25	M36×1.5/2.0	40			3			5790
MFC-1045F	147		160	-	85	-	69	16	22	M45×2.0	39						-