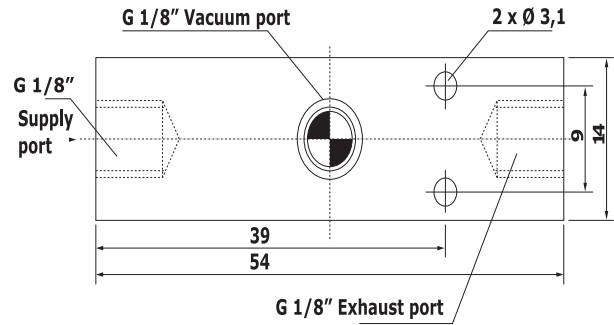


VEL series

Ejectors up to 10 l/min, max. 80 % vacuum



Reference	Size (mm)	Supply port (inch)	Vacuum port (inch)	Exhaust port (inch)	Air consumption (l/min)*	Max vacuum flow rate (l/min)
VEL-10-13-80	54*14*14	G 1/8	G 1/8	G 1/8	13	10

* - at 6 bar

ENGLISH

Materials:

Housing: nickel-plated brass,
nozzle: brass

Temperature range:

-40°C to +120°C

Operating pressure:

1 - 10 bar (optimum 6 bar)

NEDERLANDS

Materialen

Behuizing: Vernikkeld messing,
mondstuk: Messing

Temperatuurbereik:

-40°C tot +120°C

Bedrijfsdruk:

1 - 10 bar (optimaal 6 bar)

DEUTSCH

Werkstoffe:

Gehäuse: Messing vernickelt,
Düse: Messing

Temperaturbereich:

-40°C bis +120°C

Betriebsdruck:

1 - 10 bar (optimal 6 bar)

FRANÇAIS

Matériaux:

boîtier: laiton nickelé, buse: laiton

Plage de température:

-40°C à +120°C

Pression de service:

1 - 10 bar (optimal 6 bar)