

VEL-M series

Multi stage ejectors, to 9600 l/min, max. 90 % vacuum



Reference	Size (mm)	Supply port (inch)	Vacuum port (inch)	Exhaust port (inch)	Air consumption (l/min)*	Max vacuum flow rate (l/min)
VEL-300-95-90	182*67*47	G 1/4	G 3/4	G 3/4	95	300
VEL-500-190-90	182*67*47	G 1/4	G 3/4	G 3/4	190	500
VEL-900-380-90	182*67*67	G 3/8	G 3/4	G 3/4	380	900
VEL-1050-350-90	250*97*47	G 3/8	G 1 1/2	G 1 1/2	350	1050
VEL-2100-700-90	250*97*65	G 3/8	G 1 1/2	G 1 1/2	700	2100
VEL-3200-950-90	250*97*86	G 1/2	G 1 1/2	G 1 1/2	950	3200
VEL-4200-1400-90	250*195*74	G 3/8	G 2	2xG 1 1/2	1400	4200
VEL-6400-1900-90	250*196*95	G 1/2	G 2	2xG 1 1/2	1900	6400
VEL-9600-2880-90	250*295*95	G 1/2	G 2	3xG 1 1/2	2880	9600

* - at 6 bar

Evacuation time (s/l) to reach different vacuum levels

Reference	10%	20%	30%	40%	50%	60%	70%	90%
VEL-300-95-90	0.02	0.047	0.1	0.245	0.45	0.68	1.5	7
VEL-500-190-90	0.01	0.024	0.05	0.123	0.23	0.34	0.58	3.5
VEL-900-380-90	0.005	0.012	0.025	0.062	0.115	0.17	0.29	1.75
VEL-1050-350-90	0.004	0.01	0.02	0.05	0.1	0.12	0.25	1.7
VEL-2100-700-90	0.003	0.005	0.01	0.03	0.05	0.08	0.13	0.85
VEL-3200-950-90	0.0015	0.0036	0.008	0.02	0.036	0.056	0.092	0.59
VEL-4200-1400-90	0.0011	0.0025	0.006	0.015	0.025	0.04	0.068	0.43
VEL-6400-1900-90	0.00077	0.0018	0.003	0.01	0.018	0.028	0.046	0.294
VEL-9600-2880-90	0.00058	0.00135	0.003	0.0076	0.0137	0.021	0.035	0.221

Vacuum flow (l/min) at different vacuum levels

Reference	0%	10%	20%	30%	40%	50%	60%	70%	80%
VEL-300-95-90	300	210	141	70	50	39	28	19	12
VEL-500-190-90	500	398	224	138	100	78	60	42	23
VEL-900-380-90	900	796	430	276	200	156	120	84	46
VEL-1050-350-90	1050	680	420	260	180	150	100	50	25
VEL-2100-700-90	2100	1500	980	520	360	300	215	140	84
VEL-3200-950-90	3200	2240	1480	750	530	420	320	210	125
VEL-4200-1400-90	4200	3000	1960	1040	720	580	430	280	168
VEL-6400-1900-90	6400	4470	2970	1500	1060	840	640	420	250
VEL-9600-2880-90	9600	6700	4450	2240	1590	1260	950	630	380

ENGLISH

Materials:

Housing: Anodized aluminium, nozzles: Brass, seals: Neoprene

Temperature range:

-20°C to +80°C

Operating pressure:

1 - 7 bar (optimum 4-6 bar)

Work noise (loaded / unloaded):

50 / 75 dB(A)

NEDERLANDS

Materialen

Behuizing: Geanodiseerd aluminium, mondstukken: Messing, afdichtingen: Neopreen

Temperatuurbereik:

-20°C tot +80°C

Bedrijfsdruk:

1 - 7 bar (optimaal 4-6 bar)

Werklawaaai (belast / onbelast):

50 / 75 dB(A)

DEUTSCH

Werkstoffe:

Gehäuse: Aluminium eloxiert, Düsen: Messing, Dichtungen: Neopren

Temperaturbereich:

-20°C bis +80°C

Betriebsdruck:

1 - 7 bar (optimal 4-6 bar)

Arbeitsgeräusch (belastet / unbelastet):

50 / 75 dB(A)

FRANÇAIS

Matériaux:

boîtier: aluminium anodisé, buses: laiton, joints: néoprène

Plage de température:

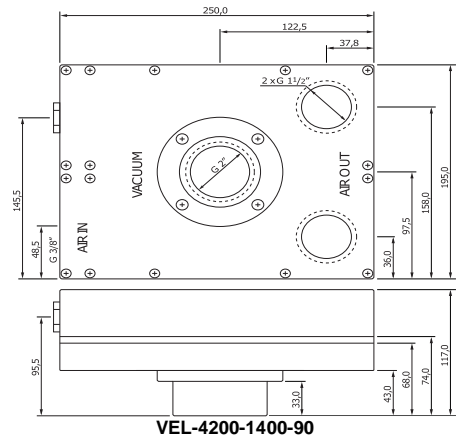
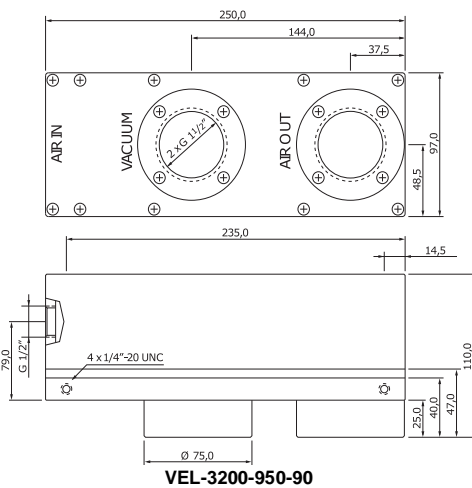
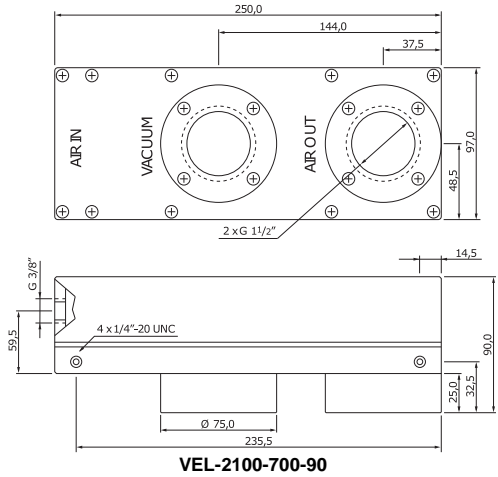
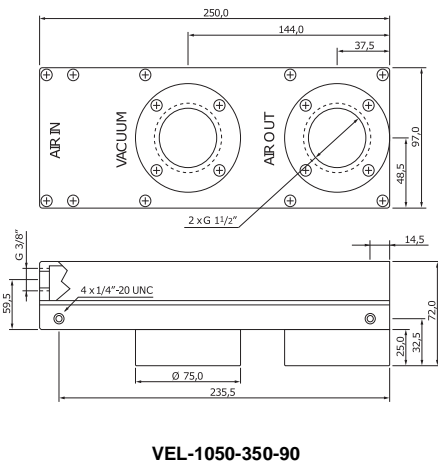
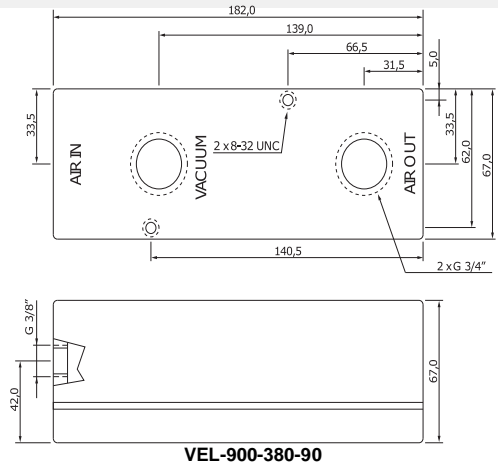
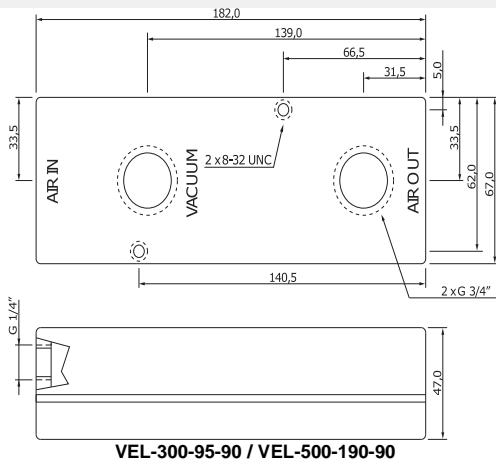
-20°C à +80°C

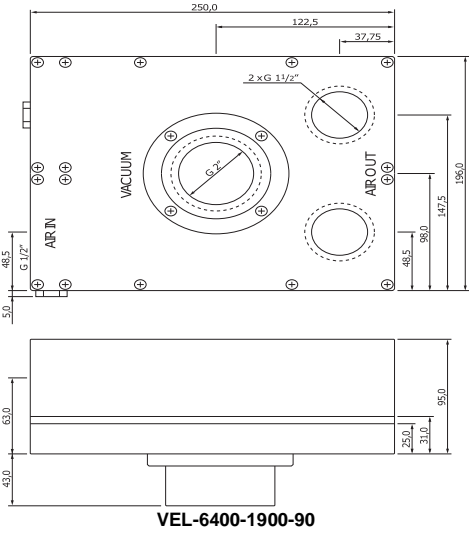
Pression de service:

1 - 7 bar (optimal 4-6 bar)

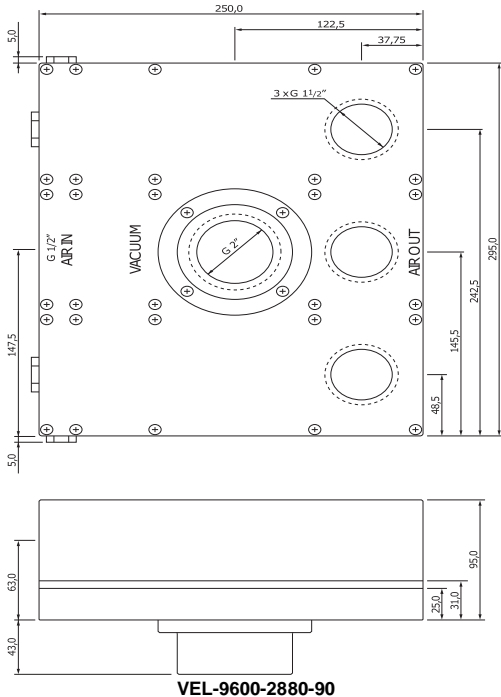
Niveau sonore (en charge / hors charge):

50 / 75 dB(A)





VEL-6400-1900-90



VEL-9600-2880-90