

## VEL-M series

Multi stage ejectors, to 9600 l/min, max. 70 % vacuum



Reference	Size (mm)	Supply port (inch)	Vacuum port (inch)	Exhaust port (inch)	Air consumption (l/min)*	Max vacuum flow rate (l/min)
VEL-300-85-70	182*67*47	G 1/4	G 3/4	G 3/4	64-85	300
VEL-500-170-70	182*67*47	G 1/4	G 3/4	G 3/4	120-170	500
VEL-650-255-70	182*67*67	G 3/8	G 3/4	G 3/4	192-255	650
VEL-750-340-70	182*67*67	G 3/8	G 3/4	G 3/4	240-340	750
VEL-1050-350-70	250*97*47	G 3/8	G 1 1/2	G 1 1/2	250-350	1050
VEL-2100-700-70	250*97*65	G 3/8	G 1 1/2	G 1 1/2	500-700	2100
VEL-4200-1400-70	250*195*74	G 3/8	G 2	2xG 1 1/2	1000-1400	4200
VEL-6400-1900-70	250*196*95	G 1/2	G 2	2xG 1 1/2	1900	6400
VEL-9600-2880-70	250*295*95	G 1/2	G 2	3xG 1 1/2	2880	9600

\* - at 6 bar

Evacuation time (s/l) to reach different vacuum levels

Reference	10%	20%	30%	40%	50%	60%	70%
VEL-300-85-70	0.025	0.063	0.145	0.25	0.43	0.68	1.2
VEL-500-170-70	0.013	0.032	0.073	0.13	0.22	0.34	0.6
VEL-650-255-70	0.008	0.020	0.050	0.09	0.15	0.25	0.4
VEL-750-340-70	0.006	0.017	0.032	0.07	0.12	0.17	0.3
VEL-1050-350-70	0.005	0.014	0.030	0.06	0.10	0.15	0.25
VEL-2100-700-70	0.003	0.010	0.020	0.04	0.06	0.10	0.18
VEL-4200-1400-70	0.0015	0.005	0.010	0.02	0.03	0.05	0.09
VEL-6400-1900-70	0.0012	0.0038	0.0075	0.015	0.023	0.038	0.065
VEL-9600-2880-70	0.0008	0.0025	0.005	0.01	0.015	0.025	0.044

Vacuum flow (l/min) at different vacuum levels

Reference	0%	10%	20%	30%	40%	50%	60%
VEL-300-85-70	300	170	100	70	50	35	24
VEL-500-170-70	480	340	200	140	100	70	48
VEL-650-255-70	650	530	320	200	143	112	75
VEL-750-340-70	750	617	435	275	195	145	97
VEL-1050-350-70	1050	680	420	260	180	150	100
VEL-2100-700-70	2100	1360	840	520	360	300	200
VEL-4200-1400-70	4200	2720	1680	1040	720	600	400
VEL-6400-1900-70	6400	4080	2520	1560	1080	900	600
VEL-9600-2880-70	9600	6120	3780	2340	1620	1350	900

### ENGLISH

#### Materials:

Housing: Anodized aluminium, nozzles: Brass, seals: Neoprene

#### Temperature range:

-20°C to +100°C (VEL-6400-1900-70 and VEL-9600-2880-70: -20°C to max. +80°C)

#### Operating pressure:

1 - 7 bar (optimum 4-6 bar)

#### Work noise (loaded / unloaded):

56 / 76 dB(A)

### NEDERLANDS

#### Materialen

Behuizing: Geanodiseerd aluminium, mondstukken: Messing, afdichtingen: Neopreen

#### Temperatuurbereik:

-20°C tot +100°C (VEL-6400-1900-70 en VEL-9600-2880-70: -20 °C tot max. +80 °C)

#### Bedrijfsdruk:

1 - 7 bar (optimaal 4-6 bar)

#### Werklawaai (belast / onbelast):

56 / 76 dB(A)

### DEUTSCH

#### Werkstoffe:

Gehäuse: Aluminium eloxiert, Düsen: Messing, Dichtungen: Neopren

#### Temperaturbereich:

-20°C bis +100°C (VEL-6400-1900-70 und VEL-9600-2880-70: -20°C bis max. +80°C)

#### Betriebsdruck:

1 - 7 bar (optimal 4-6 bar)

#### Arbeitsgeräusch (belastet / unbelastet):

56 / 76 dB(A)

### FRANÇAIS

#### Matériaux:

boîtier: aluminium anodisé, buses: laiton, joints: néoprène

#### Plage de température:

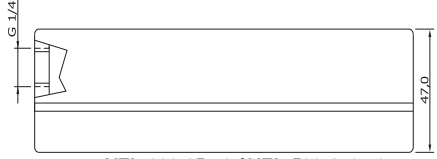
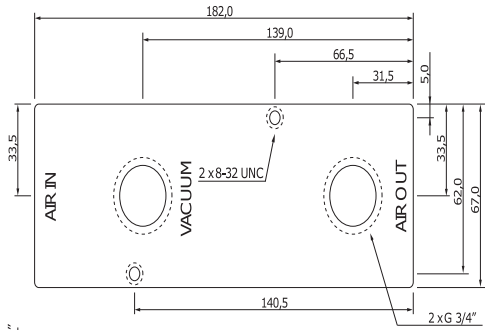
-20°C à +100°C (VEL-6400-1900-70 et VEL-9600-2880-70: -20°C à +80°C max.)

#### Pression de service:

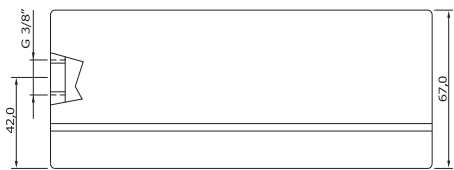
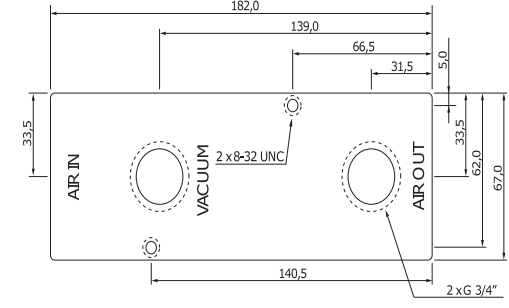
1 - 7 bar (optimal 4-6 bar)

#### Niveau sonore (en charge / hors charge):

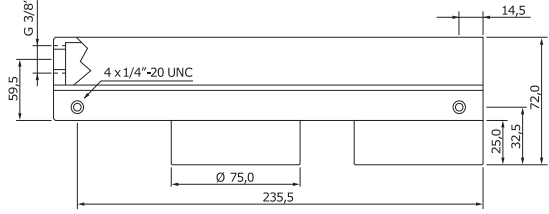
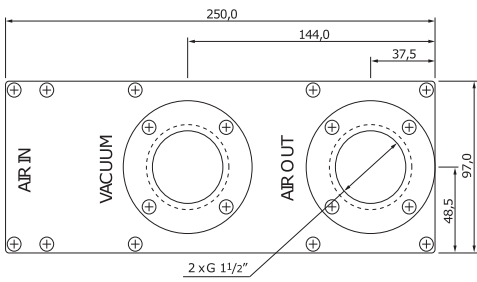
56 / 76 dB(A)



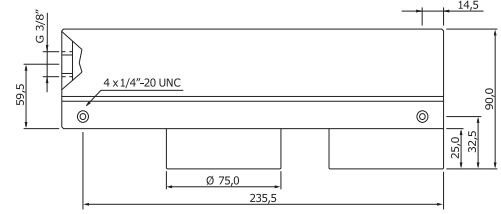
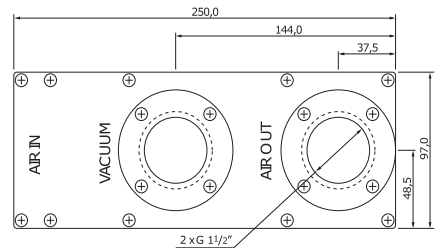
**VEL-300-85-70 / VEL-500-170-70**



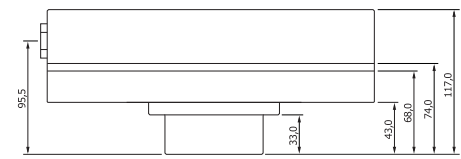
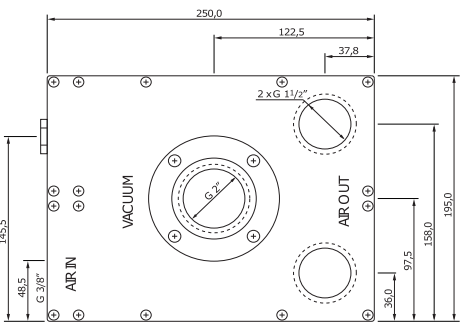
**VEL-650-255-70 / VEL-750-340-70**



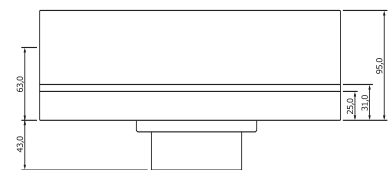
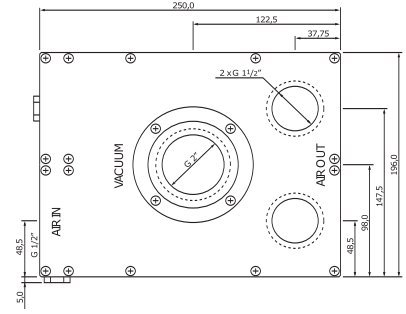
**VEL-1050-350-70**



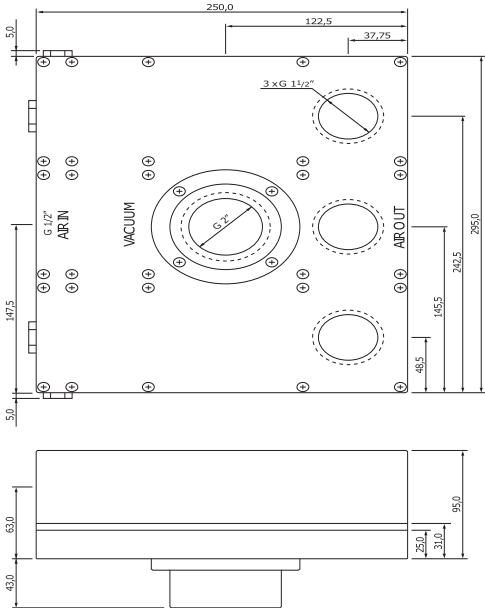
**VEL-2100-700-70**



**VEL-4200-1400-70**



**VEL-6400-1900-70**



VEL-9600-2880-70