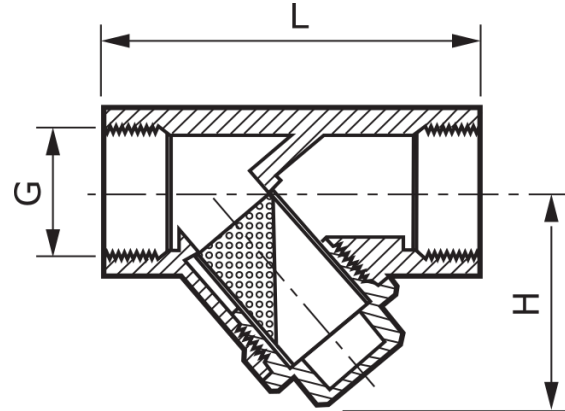


SLSE series

Stainless steel strainers, PN 40 (Standard)



Reference	Connection size – G (mm)	Mesh size (mm)	Length – L (mm)	Height – H (mm)	Weight (g)
SLSE-014	1/4	1	65	46.5	260
SLSE-038	3/8	1	65	46.5	260
SLSE-012	1/2	1	65	46.5	230
SLSE-034	3/4	1	80	54	360
SLSE-100	1	1	90	67	500
SLSE-114	1 1/4	1	105	74	800
SLSE-112	1 1/2	1	120	81.5	1100
SLSE-200	2	1	140	95	1700
SLSE-212	2 1/2	1	180	121	3800
SLSE-300	3	1	200	138	5000
SLSE-F-014	1/4	0.6	65	46.5	270
SLSE-F-038	3/8	0.6	65	46.5	260
SLSE-F-012	1/2	0.6	65	46.5	230
SLSE-F-034	3/4	0.6	80	54	360
SLSE-F-100	1	0.6	90	67	550
SLSE-F-114	1 1/4	0.6	105	74	800
SLSE-F-112	1 1/2	0.6	120	81.5	1100
SLSE-F-200	2	0.6	140	95	1700
SLSE-F-212	2 1/2	0.6	180	121	3800
SLSE-F-300	3	0.6	200	138	5000

ENGLISH

Materials:

1.4408, screen: 1.4401

Mesh size:

1.0 mm (0.6 mm mesh size -F)

Temperature range:

-20°C bis +200°C

NEDERLANDS

Materialen

1.4408, zeef: 1.4401

Filtergrootte:

1.0 mm (0.6 mm maaswijdte - F)

Temperatuurbereik:

-20°C bis +200°C

DEUTSCH

Werkstoffe:

1.4408, Sieb: 1.4401

Maschenweite:

1.0 mm (0.6 mm Maschenweite -F)

Temperaturbereich:

-20°C bis +200°C

FRANÇAIS

Matériaux:

1.4408, tamis : 1.4401

Maillage:

1.0 mm (Ouverture de mailles 0.6 mm -F)

Plage de température:

-20°C bis +200°C