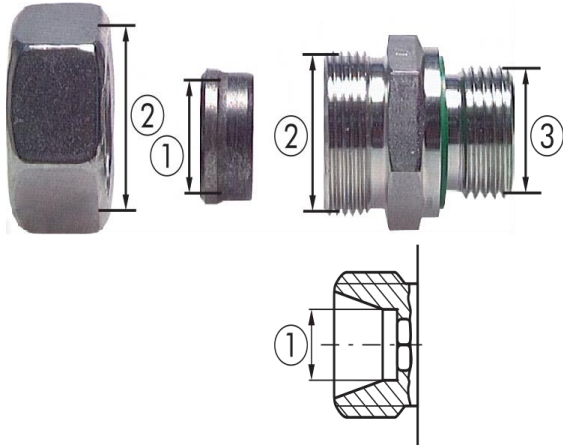


# Fittings with cutting/compression ring



Tube outer diameter (1)	Union nut thread (2)	Thread connection, metric (3)	Thread connection imperial (inch) (3)	Thread connection, NPT (3)	Operating pressure (Steel, Stainless Steel) (bar)	Operating pressure (Steel, Stainless – Compression ring) (bar)
<b>LL – very light</b>						
4 LL	M 8 x 1	M 8 x 1 (conical)	R 1/8	NPT 1/8	100	
5 LL	M 10 x 1	M 8 x 1 (conical)	R 1/8	NPT 1/8	100	
6 LL	M 10 x 1	M 10 x 1 (conical)	R 1/8	NPT 1/8	100	
8 LL	M 12 x 1	M 10 x 1 (conical)	R 1/8	NPT 1/8	100	
10 LL	M 14 x 1	M 14 x 1.5 (conical)	R 1/4		100	
12 LL	M 16 x 1	M 14 x 1.5 (conical)	R 1/4		100	
<b>L - light</b>						
6 L	M 12 x 1,5	M 10 x 1	G 1/8	NPT 1/8	315	315
8 L	M 14 x 1,5	M 12 x 1,5	G 1/4	NPT 1/4	315	315
10 L	M 16 x 1,5	M 14 x 1,5	G 1/4	NPT 1/4	315	315
12 L	M 18 x 1,5	M 16 x 1,5	G 3/8	NPT 3/8	315	315
15 L	M 22 x 1,5	M 18 x 1,5	G 1/2	NPT 1/2	315	315
18 L	M 26 x 1,5	M 22 x 1,5	G 1/2	NPT 1/2	315	315
22 L	M 30 x 2	M 26 x 1,5	G 3/4	NPT 3/4	160	160
28 L	M 36 x 2	M 33 x 2	G 1	NPT 1	160	
35 L	M 45 x 2	M 42 x 2	G 1 1/4	NPT 1 1/4	160	
42 L	M 52 x 2	M 48 x 2	G 1 1/2	NPT 1 1/2	160	
<b>S - heavy</b>						
6 S	M 14 x 1,5	M 12 x 1,5	G 1/4	NPT 1/4	630	500
8 S	M 16 x 1,5	M 14 x 1,5	G 1/4	NPT 1/4	630	500
10 S	M 18 x 1,5	M 16 x 1,5	G 3/8	NPT 3/8	630	450
12 S	M 20 x 1,5	M 18 x 1,5	G 3/8	NPT 3/8	630	400
14 S	M 22 x 1,5	M 20 x 1,5	G 1/2	NPT 1/2	630	400
16 S	M 24 x 1,5	M 22 x 1,5	G 1/2	NPT 1/2	400	400
20 S	M 30 x 2	M 27 x 2	G 3/4	NPT 3/4	400	250
25 S	M 36 x 2	M 33 x 2	G 1	NPT 1	400	250
30 S	M 42 x 2	M 42 x 2	G 1 1/4	NPT 1 1/4	400	
38 S	M 52 x 2	M 48 x 2	G 1 1/2	NPT 1 1/2	315	