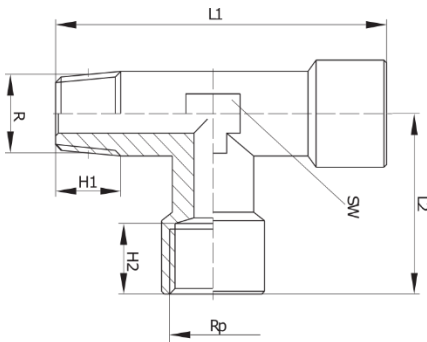


FL3T-MF - series

T-pieces (external/internal/internal), to 25 bar



Reference	Material	Surface protection	Nominal outer diameter connection 1	Nominal inner diameter connection 2 and 3	Max pressure (bar)
FL3T-MF-BN-M5	Brass	Nickel-plated	M5	M5	16
FL3T-MF-BN-018RG	Brass	Nickel-plated	R 1/8 inch	G 1/8 inch	16
FL3T-MF-BN-014RG	Brass	Nickel-plated	R 1/4 inch	G 1/4 inch	16
FL3T-MF-BN-038RG	Brass	Nickel-plated	R 3/8 inch	G 3/8 inch	16
FL3T-MF-BN-012RG	Brass	Nickel-plated	R 1/2 inch	G 1/2 inch	16
FL3T-MF-BN-034RG	Brass	Nickel-plated	R 3/4 inch	G 3/4 inch	16
FL3T-MF-BN-100RG	Brass	Nickel-plated	R 1 inch	G 1 inch	16
FL3T-MF-B-018RG	Brass		R 1/8 inch	G 1/8 inch	16
FL3T-MF-B-014RG	Brass		R 1/4 inch	G 1/4 inch	16
FL3T-MF-B-038RG	Brass		R 3/8 inch	G 3/8 inch	16
FL3T-MF-B-012RG	Brass		R 1/2 inch	G 1/2 inch	16
FL3T-MF-B-034RG	Brass		R 3/4 inch	G 3/4 inch	16
FL3T-MF-B-100RG	Brass		R 1 inch	G 1 inch	16
FL3T-MF-SH-018R	Stainless steel		R 1/8 inch	Rp 1/8 inch	16
FL3T-MF-SH-014R	Stainless steel		R 1/4 inch	Rp 1/4 inch	16
FL3T-MF-SH-038R	Stainless steel		R 3/8 inch	Rp 3/8 inch	16
FL3T-MF-SH-012R	Stainless steel		R 1/2 inch	Rp 1/2 inch	16
FL3T-MF-SH-034R	Stainless steel		R 3/4 inch	Rp 3/4 inch	16
FL3T-MF-IZ-012R	Cast iron	Zinc plated	R 1/2 inch	Rp 1/2 inch	25
FL3T-MF-IZ-034R	Cast iron	Zinc plated	R 3/4 inch	Rp 3/4 inch	25
FL3T-MF-IZ-100R	Cast iron	Zinc plated	R 1 inch	Rp 1 inch	25
FL3T-MF-IZ-114R	Cast iron	Zinc plated	R 1 1/4 inch	Rp 1 1/4 inch	25
FL3T-MF-IZ-112R	Cast iron	Zinc plated	R 1 1/2 inch	Rp 1 1/2 inch	25
FL3T-MF-IZ-200R	Cast iron	Zinc plated	R 2 inch	Rp 2 inch	25



Reference	L1 (mm)	L2 (mm)	H1 (mm)	H2 (mm)	SW (mm)
FL3T-MF-BN-018RG	39.5	21	8	8	10
FL3T-MF-BN-014RG	49	22.5	11	11	13
FL3T-MF-BN-038RG	11.5	11.5	54	28	17
FL3T-MF-BN-012RG	64.5	33	14	14	21
FL3T-MF-BN-034RG	69.5	36.5	16	16.5	25
FL3T-MF-BN-100RG	84	45	17.5	19	30