

# FL3T-F - series

T-pieces with female thread



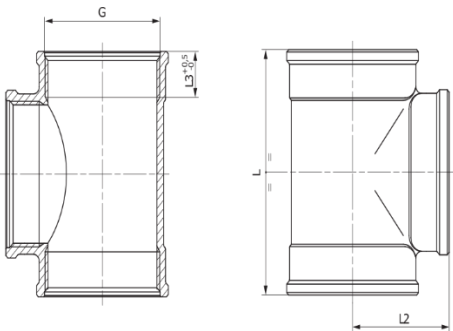
T-pieces with female thread (cast), up to 25 bar

Reference	Material	Surface protection	Nominal inner diameter connection 1, 2 and 3	Max pressure (bar)
FL3T-F-SH-018R-S	Stainless steel		Rp 1/8	10
FL3T-F-SH-014R-S	Stainless steel		Rp 1/4	10
FL3T-F-SH-038R-S	Stainless steel		Rp 3/8	10
FL3T-F-SH-012R-S	Stainless steel		Rp 1/2	10
FL3T-F-SH-034R-S	Stainless steel		Rp 3/4	10
FL3T-F-SH-100R-S	Stainless steel		Rp 1	10
FL3T-F-SH-114R-S	Stainless steel		Rp 1 1/4	10
FL3T-F-SH-112R-S	Stainless steel		Rp 1 1/2	10
FL3T-F-SH-200R-S	Stainless steel		Rp 2	10
FL3T-F-SH-018R	Stainless steel		Rp 1/8	16
FL3T-F-SH-014R	Stainless steel		Rp 1/4	16
FL3T-F-SH-038R	Stainless steel		Rp 3/8	16
FL3T-F-SH-012R	Stainless steel		Rp 1/2	16
FL3T-F-SH-034R	Stainless steel		Rp 3/4	16
FL3T-F-SH-100R	Stainless steel		Rp 1	16
FL3T-F-SH-114R	Stainless steel		Rp 1 1/4	16
FL3T-F-SH-112R	Stainless steel		Rp 1 1/2	16
FL3T-F-SH-200R	Stainless steel		Rp 2	16
FL3T-F-SH-212R	Stainless steel		Rp 2 1/2	16
FL3T-F-SH-300R	Stainless steel		Rp 3	16
FL3T-F-SH-400R	Stainless steel		Rp 4	16
FL3T-F-IZ-018R	Cast iron	Zinc plated	Rp 1/8	25
FL3T-F-IZ-014R	Cast iron	Zinc plated	Rp 1/4	25
FL3T-F-IZ-038R	Cast iron	Zinc plated	Rp 3/8	25
FL3T-F-IZ-012R	Cast iron	Zinc plated	Rp 1/2	25
FL3T-F-IZ-034R	Cast iron	Zinc plated	Rp 3/4	25
FL3T-F-IZ-100R	Cast iron	Zinc plated	Rp 1	25
FL3T-F-IZ-114R	Cast iron	Zinc plated	Rp 1 1/4	25
FL3T-F-IZ-112R	Cast iron	Zinc plated	Rp 1 1/2	25
FL3T-F-IZ-200R	Cast iron	Zinc plated	Rp 2	25
FL3T-F-IZ-212R	Cast iron	Zinc plated	Rp 2 1/2	25
FL3T-F-IZ-300R	Cast iron	Zinc plated	Rp 3	25
FL3T-F-IZ-400R	Cast iron	Zinc plated	Rp 4	25
FL3T-F-SH-018N	Stainless steel		1/8 NPT	16
FL3T-F-SH-014N	Stainless steel		1/4 NPT	16
FL3T-F-SH-038N	Stainless steel		3/8 NPT	16
FL3T-F-SH-012N	Stainless steel		1/2 NPT	16
FL3T-F-SH-034N	Stainless steel		3/4 NPT	16
FL3T-F-SH-100N	Stainless steel		1 NPT	16
FL3T-F-SH-114N	Stainless steel		1 1/4 NPT	16
FL3T-F-SH-112N	Stainless steel		1 1/2 NPT	16
FL3T-F-SH-200N	Stainless steel		2 NPT	16



## T-pieces with female thread (forged), up to 150 bar

Reference	Material	Surface protection	Nominal inner diameter connection 1, 2 and 3	Max pressure (bar)
FL3T-F-BN-M5	Brass	Nickel-plated	M5	16
FL3T-F-BN-018G	Brass	Nickel-plated	G 1/8 inch	16
FL3T-F-BN-014G	Brass	Nickel-plated	G 1/4 inch	16
FL3T-F-BN-038G	Brass	Nickel-plated	G 3/8 inch	16
FL3T-F-BN-012G	Brass	Nickel-plated	G 1/2 inch	16
FL3T-F-BN-034G	Brass	Nickel-plated	G 3/4 inch	16
FL3T-F-BN-100G	Brass	Nickel-plated	G 1 inch	16
FL3T-F-B-018G	Brass		G 1/8 inch	16
FL3T-F-B-014G	Brass		G 1/4 inch	16
FL3T-F-B-038G	Brass		G 3/8 inch	16
FL3T-F-B-012G	Brass		G 1/2 inch	16
FL3T-F-B-034G	Brass		G 3/4 inch	16
FL3T-F-B-100G	Brass		G 1 inch	16
FL3T-F-B-114G	Brass		G 1 1/4 inch	16
FL3T-F-B-112G	Brass		G 1 1/2 inch	16
FL3T-F-B-200G	Brass		G 2 inch	16
FL3T-F-B-212G	Brass		G 2 1/2 inch	16
FL3T-F-B-300G	Brass		G 3 inch	16
FL3T-F-B-400G	Brass		G 4 inch	16
FL3T-F-SL-018G	Stainless steel		G 1/8 inch	150
FL3T-F-SL-014G	Stainless steel		G 1/4 inch	150
FL3T-F-SL-038G	Stainless steel		G 3/8 inch	150
FL3T-F-SL-012G	Stainless steel		G 1/2 inch	150

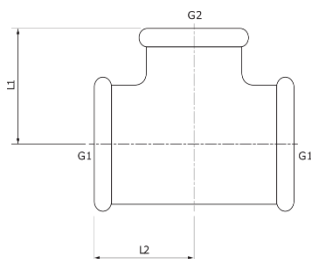


Reference	L (mm)	L2 (mm)	L3 (mm)
FL3T-F-B-038G	48	24	9
FL3T-F-B-100G	66.5	33	15
FL3T-F-B-112G	93	46.5	18
FL3T-F-B-200G	101	50.5	19
FL3T-F-BN-100G	66.5	33	15

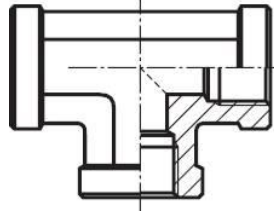


## T-pieces with female thread and reducing/enlarging outlet, to 25 bar

Reference	Material	Surface protection	Nominal inner diameter connection G1 (inch)	Nominal inner diameter connection G2 (inch)	Max pressure (bar)
FL3T-F-IZ-012R-014R	Cast iron	Zinc plated	Rp 1/2	Rp 1/4	25
FL3T-F-IZ-012R-038R	Cast iron	Zinc plated	Rp 1/2	Rp 3/8	25
FL3T-F-IZ-012R-034R	Cast iron	Zinc plated	Rp 1/2	Rp 3/4	25
FL3T-F-IZ-034R-038R	Cast iron	Zinc plated	Rp 3/4	Rp 3/8	25
FL3T-F-IZ-034R-012R	Cast iron	Zinc plated	Rp 3/4	Rp 1/2	25
FL3T-F-IZ-100R-038R	Cast iron	Zinc plated	Rp 1	Rp 3/8	25
FL3T-F-IZ-100R-012R	Cast iron	Zinc plated	Rp 1	Rp 1/2	25
FL3T-F-IZ-100R-034R	Cast iron	Zinc plated	Rp 1	Rp 3/4	25
FL3T-F-IZ-114R-012R	Cast iron	Zinc plated	Rp 1 1/4	Rp 1/2	25
FL3T-F-IZ-114R-034R	Cast iron	Zinc plated	Rp 1 1/4	Rp 3/4	25
FL3T-F-IZ-114R-100R	Cast iron	Zinc plated	Rp 1 1/4	Rp 1	25
FL3T-F-IZ-112R-012R	Cast iron	Zinc plated	Rp 1 1/2	Rp 1/2	25
FL3T-F-IZ-112R-034R	Cast iron	Zinc plated	Rp 1 1/2	Rp 3/4	25
FL3T-F-IZ-112R-100R	Cast iron	Zinc plated	Rp 1 1/2	Rp 1	25
FL3T-F-IZ-112R-114R	Cast iron	Zinc plated	Rp 1 1/2	Rp 1 1/4	25
FL3T-F-IZ-200R-012R	Cast iron	Zinc plated	Rp 2	Rp 1/2	25
FL3T-F-IZ-200R-034R	Cast iron	Zinc plated	Rp 2	Rp 3/4	25
FL3T-F-IZ-200R-100R	Cast iron	Zinc plated	Rp 2	Rp 1	25
FL3T-F-IZ-200R-114R	Cast iron	Zinc plated	Rp 2	Rp 1 1/4	25
FL3T-F-IZ-200R-112R	Cast iron	Zinc plated	Rp 2	Rp 1 1/2	25
FL3T-F-IZ-212R-034R	Cast iron	Zinc plated	Rp 2 1/2	Rp 3/4	25
FL3T-F-IZ-212R-100R	Cast iron	Zinc plated	Rp 2 1/2	Rp 1	25
FL3T-F-IZ-212R-114R	Cast iron	Zinc plated	Rp 2 1/2	Rp 1 1/4	25
FL3T-F-IZ-212R-112R	Cast iron	Zinc plated	Rp 2 1/2	Rp 1 1/2	25
FL3T-F-IZ-212R-200R	Cast iron	Zinc plated	Rp 2 1/2	Rp 2	25
FL3T-F-IZ-300R-112R	Cast iron	Zinc plated	Rp 3	Rp 1 1/2	25
FL3T-F-IZ-300R-200R	Cast iron	Zinc plated	Rp 3	Rp 2	25
FL3T-F-IZ-300R-212R	Cast iron	Zinc plated	Rp 3	Rp 2 1/2	25
FL3T-F-IZ-400R-200R	Cast iron	Zinc plated	Rp 4	Rp 2	25
FL3T-F-IZ-400R-300R	Cast iron	Zinc plated	Rp 4	Rp 3	25
FL3T-F-B-012R-038R	Brass		Rp 1/2	Rp 3/8	16
FL3T-F-B-034R-012R	Brass		Rp 3/4	Rp 1/2	16
FL3T-F-B-100R-012R	Brass		Rp 1	Rp 1/2	16
FL3T-F-B-100R-034R	Brass		Rp 1	Rp 3/4	16
FL3T-F-SH-012R-038R	Stainless steel		Rp 1/2	Rp 3/8	16
FL3T-F-SH-034R-012R	Stainless steel		Rp 3/4	Rp 1/2	16
FL3T-F-SH-100R-034R	Stainless steel		Rp 1	Rp 3/4	16
FL3T-F-SH-112R-114R	Stainless steel		Rp 1 1/2	Rp 1 1/4	16

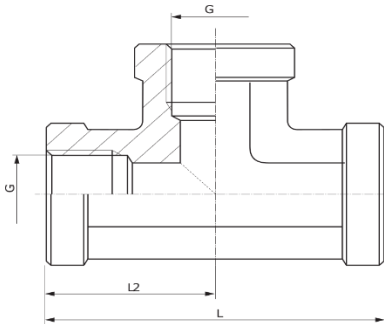


Reference	L1 (mm)	L2 (mm)
FL3T-F-IZ-200R-034R	34	38



## T-pieces with female thread, up to 350 bar

Reference	Material	Surface protection	Nominal inner diameter connection 1,2 and 3 (inch)	Max pressure (bar)
FL3T-F-EZ-018G	Steel	Zinc plated	G 1/8	350
FL3T-F-EZ-014G	Steel	Zinc plated	G 1/4	350
FL3T-F-EZ-038G	Steel	Zinc plated	G 3/8	250
FL3T-F-EZ-012G	Steel	Zinc plated	G 1/2	225
FL3T-F-EZ-034G	Steel	Zinc plated	G 3/4	200
FL3T-F-EZ-100G	Steel	Zinc plated	G 1	160
FL3T-F-EZ-114G	Steel	Zinc plated	G 1 1/4	160
FL3T-F-EZ-112G	Steel	Zinc plated	G 1 1/2	160
FL3T-F-EZ-200G	Steel	Zinc plated	G 2	100
FL3T-F-S-018G	Stainless steel		G 1/8	350
FL3T-F-S-014G	Stainless steel		G 1/4	350
FL3T-F-S-038G	Stainless steel		G 3/8	250
FL3T-F-S-012G	Stainless steel		G 1/2	225
FL3T-F-S-034G	Stainless steel		G 3/4	200
FL3T-F-S-100G	Stainless steel		G 1	160
FL3T-F-S-114G	Stainless steel		G 1 1/4	160



Reference	L1 (mm)	L2 (mm)	SW (mm)
FL3T-F-EZ-034G	70	35	33
FL3T-F-EZ-100G	88	44	41
FL3T-F-EZ-112G	108	54	58
FL3T-F-S-018G	40	20	17
FL3T-F-S-038G	52.4	26.2	24
FL3T-F-S-034G	67	33.5	36
FL3T-F-S-100G	86	43	41
FL3T-F-S-114G	102	51	50