

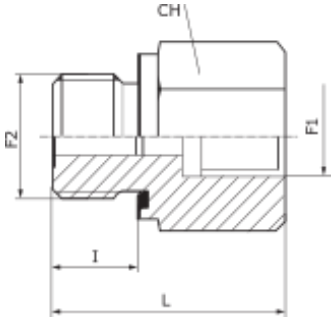
FL2S-MF - series

Hydraulic threaded reductions with cylindrical male and female thread, up to 630 bar



Steel, zinc plated	Stainless steel	Nominal inner diameter connection 1	Nominal inner diameter connection 2	Max pressure (bar)
FL2S-MF-EZE-018G-014G	FL2S-MF-STE-018G-014G	G 1/8 inch	G 1/4 inch	630
FL2S-MF-EZE-018G-038G	FL2S-MF-STE-018G-038G	G 1/8 inch	G 3/8 inch	630
FL2S-MF-EZE-014G-018G	FL2S-MF-STE-014G-018G	G 1/4 inch	G 1/8 inch	630
FL2S-MF-EZE-014G-038G	FL2S-MF-STE-014G-038G	G 1/4 inch	G 3/8 inch	630
FL2S-MF-EZE-014G-012G	FL2S-MF-STE-014G-012G	G 1/4 inch	G 1/2 inch	630
FL2S-MF-EZE-014G-034G	FL2S-MF-STE-014G-034G	G 1/4 inch	G 3/4 inch	630
FL2S-MF-EZE-038G-018G	FL2S-MF-STE-038G-018G	G 3/8 inch	G 1/8 inch	630
FL2S-MF-EZE-038G-014G	FL2S-MF-STE-038G-014G	G 3/8 inch	G 1/4 inch	630
FL2S-MF-EZE-038G-012G	FL2S-MF-STE-038G-012G	G 3/8 inch	G 1/2 inch	630
FL2S-MF-EZE-038G-034G	FL2S-MF-STE-038G-034G	G 3/8 inch	G 3/4 inch	400
FL2S-MF-EZE-012G-018G	FL2S-MF-STE-012G-018G	G 1/2 inch	G 1/8 inch	630
FL2S-MF-EZE-012G-014G	FL2S-MF-STE-012G-014G	G 1/2 inch	G 1/4 inch	630
FL2S-MF-EZE-012G-038G	FL2S-MF-STE-012G-038G	G 1/2 inch	G 3/8 inch	630
FL2S-MF-EZE-012G-034G	FL2S-MF-STE-012G-034G	G 1/2 inch	G 3/4 inch	400
FL2S-MF-EZE-012G-100G	FL2S-MF-STE-012G-100G	G 1/2 inch	G 1 inch	400
FL2S-MF-EZE-012G-114G	FL2S-MF-STE-012G-114G	G 1/2 inch	G 1 1/4 inch	400
FL2S-MF-EZE-034G-014G	FL2S-MF-STE-034G-014G	G 3/4 inch	G 1/4 inch	400
FL2S-MF-EZE-034G-038G	FL2S-MF-STE-034G-038G	G 3/4 inch	G 3/8 inch	400
FL2S-MF-EZE-034G-012G	FL2S-MF-STE-034G-012G	G 3/4 inch	G 1/2 inch	400
FL2S-MF-EZE-034G-100G	FL2S-MF-STE-034G-100G	G 3/4 inch	G 1 inch	400
FL2S-MF-EZE-034G-114G	FL2S-MF-STE-034G-114G	G 3/4 inch	G 1 1/4 inch	400
FL2S-MF-EZE-034G-112G	FL2S-MF-STE-034G-112G	G 3/4 inch	G 1 1/2 inch	315
FL2S-MF-EZE-100G-014G	FL2S-MF-STE-100G-014G	G 1 inch	G 1/4 inch	400
FL2S-MF-EZE-100G-038G	FL2S-MF-STE-100G-038G	G 1 inch	G 3/8 inch	400
FL2S-MF-EZE-100G-012G	FL2S-MF-STE-100G-012G	G 1 inch	G 1/2 inch	400
FL2S-MF-EZE-100G-034G	FL2S-MF-STE-100G-034G	G 1 inch	G 3/4 inch	400
FL2S-MF-EZE-100G-114G	FL2S-MF-STE-100G-114G	G 1 inch	G 1 1/4 inch	400
FL2S-MF-EZE-100G-112G	FL2S-MF-STE-100G-112G	G 1 inch	G 1 1/2 inch	315
FL2S-MF-EZE-114G-012G	FL2S-MF-STE-114G-012G	G 1 1/4 inch	G 1/2 inch	400
FL2S-MF-EZE-114G-034G	FL2S-MF-STE-114G-034G	G 1 1/4 inch	G 3/4 inch	400
FL2S-MF-EZE-114G-100G	FL2S-MF-STE-114G-100G	G 1 1/4 inch	G 1 inch	400
FL2S-MF-EZE-114G-112G	FL2S-MF-STE-114G-112G	G 1 1/4 inch	G 1 1/2 inch	315
FL2S-MF-EZE-112G-012G	FL2S-MF-STE-112G-012G	G 1 1/2 inch	G 1/2 inch	315
FL2S-MF-EZE-112G-034G	FL2S-MF-STE-112G-034G	G 1 1/2 inch	G 3/4 inch	315
FL2S-MF-EZE-112G-100G	FL2S-MF-STE-112G-100G	G 1 1/2 inch	G 1 inch	315
FL2S-MF-EZE-112G-114G	FL2S-MF-STE-112G-114G	G 1 1/2 inch	G 1 1/4 inch	315
	FL2S-MF-STE-200G-012G	G 2 inch	G 1/2 inch	250
	FL2S-MF-STE-200G-034G	G 2 inch	G 3/4 inch	250
	FL2S-MF-STE-200G-100G	G 2 inch	G 1 inch	250
	FL2S-MF-STE-200G-114G	G 2 inch	G 1 1/4 inch	250
FL2S-MF-EZE-200G-112G*	FL2S-MF-STE-200G-112G	G 2 inch	G 1 1/2 inch	250
FL2S-MF-EZ-M18-M22		M18	M22	40
FL2S-MF-EZ-M22-038G		M22	G 3/8 inch	40

Note: 1) FL2S-MF-EZE-200G-112G – PN 160 and with elastomer seal; 2) FL2S-MF-EZ-M18-M22 and FL2S-MF-EZ-M22-038G – without elastomer seal



Steel, zinc plated	L	I	CH
FL2S-MF-EZE-018G-014G	38	8	19
FL2S-MF-EZE-014G-018G	29	12	19
FL2S-MF-STE-014G-018G	29	12	19
FL2S-MF-STE-100G-014G	29	18	41
FL2S-MF-STE-112G-114G	58	22	55
FL2S-MF-STE-200G-114G	42	22.5	70
FL2S-MF-STE-200G-112G	42	22.5	70