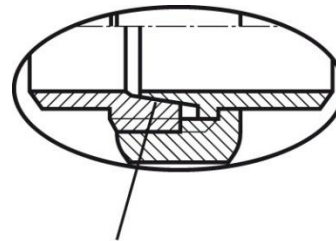


# FL2S-M-C and FL2S-M-T - series

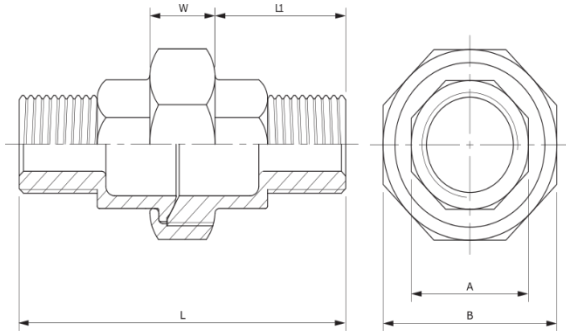
Double nipple - Screw connections



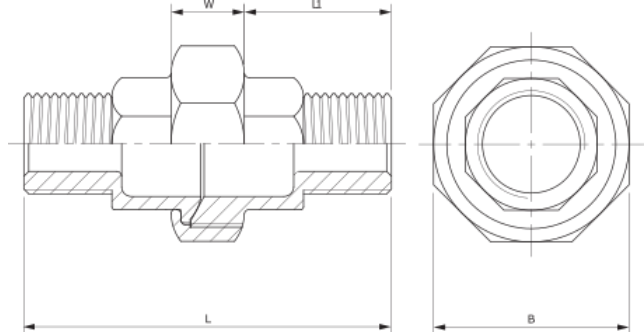
Conical sealing

Double nipple separable with male thread - conically sealing, up to 25 bar

Reference	Material	Surface protection	Nominal outer diameter of connection 1 (inch)	Nominal outer diameter of connection 2 (inch)	Max pressure (bar)
FL2S-M-B-018R-C	Brass		R 1/8	R 1/8	16
FL2S-M-B-014R-018R-C	Brass		R 1/4	R 1/8	16
FL2S-M-B-014R-C	Brass		R 1/4	R 1/4	16
FL2S-M-B-038R-014R-C	Brass		R 3/8	R 1/4	16
FL2S-M-B-038R-C	Brass		R 3/8	R 3/8	16
FL2S-M-B-012R-038R-C	Brass		R 1/2	R 3/8	16
FL2S-M-B-012R-C	Brass		R 1/2	R 1/2	16
FL2S-M-B-034R-C	Brass		R 3/4	R 3/4	16
FL2S-M-B-100R-C	Brass		R 1	R 1	16
FL2S-M-BN-018R-C	Brass	Nickel-plated	R 1/8	R 1/8	16
FL2S-M-BN-014R-018R-C	Brass	Nickel-plated	R 1/4	R 1/8	16
FL2S-M-BN-014R-C	Brass	Nickel-plated	R 1/4	R 1/4	16
FL2S-M-BN-038R-014R-C	Brass	Nickel-plated	R 3/8	R 1/4	16
FL2S-M-BN-038R-C	Brass	Nickel-plated	R 3/8	R 3/8	16
FL2S-M-BN-012R-038R-C	Brass	Nickel-plated	R 1/2	R 3/8	16
FL2S-M-BN-012R-C	Brass	Nickel-plated	R 1/2	R 1/2	16
FL2S-M-BN-034R-C	Brass	Nickel-plated	R 3/4	R 3/4	16
FL2S-M-BN-100R-C	Brass	Nickel-plated	R 1	R 1	16
FL2S-M-SH-018R-C	Stainless steel		R 1/8	R 1/8	16
FL2S-M-SH-014R-C	Stainless steel		R 1/4	R 1/4	16
FL2S-M-SH-038R-C	Stainless steel		R 3/8	R 3/8	16
FL2S-M-SH-012R-C	Stainless steel		R 1/2	R 1/2	16
FL2S-M-SH-034R-C	Stainless steel		R 3/4	R 3/4	16
FL2S-M-SH-100R-C	Stainless steel		R 1	R 1	16
FL2S-M-SH-114R-C	Stainless steel		R 1 1/4	R 1 1/4	16
FL2S-M-SH-112R-C	Stainless steel		R 1 1/2	R 1 1/2	16
FL2S-M-SH-200R-C	Stainless steel		R 2	R 2	16
FL2S-M-IZ-014R-C	Cast iron	Zinc plated	R 1/4	R 1/4	25
FL2S-M-IZ-038R-C	Cast iron	Zinc plated	R 3/8	R 3/8	25
FL2S-M-IZ-012R-C	Cast iron	Zinc plated	R 1/2	R 1/2	25
FL2S-M-IZ-034R-C	Cast iron	Zinc plated	R 3/4	R 3/4	25
FL2S-M-IZ-100R-C	Cast iron	Zinc plated	R 1	R 1	25
FL2S-M-IZ-114R-C	Cast iron	Zinc plated	R 1 1/4	R 1 1/4	25
FL2S-M-IZ-112R-C	Cast iron	Zinc plated	R 1 1/2	R 1 1/2	25
FL2S-M-IZ-200R-C	Cast iron	Zinc plated	R 2	R 2	25



**Stainless steel**

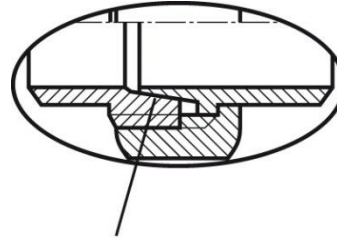


**Brass**

Reference	L	L1	A	B	W	Reference	L	L1	B	W
FL2S-M-SH-014R-C	56	21	17	28	12	FL2S-M-BN-038R-C	36.8	13	22	10
FL2S-M-SH-038R-C	57.5	21	20	34	15					
FL2S-M-SH-012R-C	66,5	26.1	26.5	39,2	15					
FL2S-M-SH-034R-C	73,4	29,6	31	46	15					
FL2S-M-SH-100R-C	81	32	38.4	55	17					
FL2S-M-SH-114R-C	89,5	34,5	47.3	63.5	20					
FL2S-M-SH-112R-C	89,3	34	53	71	20					
FL2S-M-SH-200R-C	99	39	66	85	21					

**Warning:**

Version of the sealing surfaces and union nuts varies depending on the manufacturer. It is not recommended to mix individual parts.



Conical sealing

## Screw connections with female and male thread - conically sealing, up to 25 bar

Reference	Material	Surface protection	Nominal inner diameter of connection 1 (inch)	Nominal outer diameter of connection 2 (inch)	Max pressure (bar)
FL2S-FM-B-012R-C	Brass		R 1/2	R 1/2	16
FL2S-FM-B-034R-C	Brass		R 3/4	R 3/4	16
FL2S-FM-B-100R-C	Brass		R 1	R 1	16
FL2S-FM-B-114R-C	Brass		R 1 1/4	R 1 1/4	16
FL2S-FM-B-112R-C	Brass		R 1 1/2	R 1 1/2	16
FL2S-FM-B-200R-C	Brass		R 2	R 2	16
FL2S-FM-SH-018R-C	Stainless steel		R 1/8	R 1/8	16
FL2S-FM-SH-014R-C	Stainless steel		R 1/4	R 1/4	16
FL2S-FM-SH-038R-C	Stainless steel		R 3/8	R 3/8	16
FL2S-FM-SH-012R-C	Stainless steel		R 1/2	R 1/2	16
FL2S-FM-SH-034R-C	Stainless steel		R 3/4	R 3/4	16
FL2S-FM-SH-100R-C	Stainless steel		R 1	R 1	16
FL2S-FM-SH-114R-C	Stainless steel		R 1 1/4	R 1 1/4	16
FL2S-FM-SH-112R-C	Stainless steel		R 1 1/2	R 1 1/2	16
FL2S-FM-SH-200R-C	Stainless steel		R 2	R 2	16
FL2S-FM-SH-212R-C	Stainless steel		R 2 1/2	R 2 1/2	16
FL2S-FM-SH-300R-C	Stainless steel		R 3	R 3	16
FL2S-FM-SH-400R-C	Stainless steel		R 4	R 4	16
FL2S-FM-IZ-014R-C	Cast iron	Zinc plated	R 1/4	R 1/4	25
FL2S-FM-IZ-038R-C	Cast iron	Zinc plated	R 3/8	R 3/8	25
FL2S-FM-IZ-012R-C	Cast iron	Zinc plated	R 1/2	R 1/2	25
FL2S-FM-IZ-034R-C	Cast iron	Zinc plated	R 3/4	R 3/4	25
FL2S-FM-IZ-100R-C	Cast iron	Zinc plated	R 1	R 1	25
FL2S-FM-IZ-114R-C	Cast iron	Zinc plated	R 1 1/4	R 1 1/4	25
FL2S-FM-IZ-112R-C	Cast iron	Zinc plated	R 1 1/2	R 1 1/2	25
FL2S-FM-IZ-200R-C	Cast iron	Zinc plated	R 2	R 2	25
FL2S-FM-IZ-212R-C	Cast iron	Zinc plated	R 2 1/2	R 2 1/2	25
FL2S-FM-IZ-300R-C	Cast iron	Zinc plated	R 3	R 3	25
FL2S-FM-SH-018N-C	Stainless steel		1/8 NPT	1/8 NPT	16
FL2S-FM-SH-014N-C	Stainless steel		1/4 NPT	1/4 NPT	16
FL2S-FM-SH-038N-C	Stainless steel		3/8 NPT	3/8 NPT	16
FL2S-FM-SH-012N-C	Stainless steel		1/2 NPT	1/2 NPT	16
FL2S-FM-SH-034N-C	Stainless steel		3/4 NPT	3/4 NPT	16
FL2S-FM-SH-100N-C	Stainless steel		1 NPT	1 NPT	16
FL2S-FM-SH-114N-C	Stainless steel		1 1/4 NPT	1 1/4 NPT	16
FL2S-FM-SH-112N-C	Stainless steel		1 1/2 NPT	1 1/2 NPT	16
FL2S-FM-SH-200N-C	Stainless steel		2 NPT	2 NPT	16

### Warning:

Version of the sealing surfaces and union nuts varies depending on the manufacturer. It is not recommended to mix individual parts.



## Screw connections with female and male thread - flat sealing, up to 25 bar

Reference	Material	Surface protection	Seal	Nominal inner diameter of connection 1 (inch)	Nominal outer diameter of connection 2 (inch)	Max pressure (bar)
FL2S-FM-BC-012R-T	Brass		Centellen	Rp 1/2	R 1/2	16
FL2S-FM-BC-034R-T	Brass		Centellen	Rp 3/4	R 3/4	16
FL2S-FM-BC-100R-T	Brass		Centellen	Rp 1	R 1	16
FL2S-FM-BC-114R-T	Brass		Centellen	Rp 1 1/4	R 1 1/4	16
FL2S-FM-BC-112R-T	Brass		Centellen	Rp 1 1/2	R 1 1/2	16
FL2S-FM-BC-200R-T	Brass		Centellen	Rp 2	R 2	16
FL2S-FM-SHP-018R-T	Stainless steel		Polytetrafluoroethylene (PTFE)	Rp 1/8	R 1/8	16
FL2S-FM-SHP-014R-T	Stainless steel		Polytetrafluoroethylene (PTFE)	Rp 1/4	R 1/4	16
FL2S-FM-SHP-038R-T	Stainless steel		Polytetrafluoroethylene (PTFE)	Rp 3/8	R 3/8	16
FL2S-FM-SHP-012R-T	Stainless steel		Polytetrafluoroethylene (PTFE)	Rp 1/2	R 1/2	16
FL2S-FM-SHP-034R-T	Stainless steel		Polytetrafluoroethylene (PTFE)	Rp 3/4	R 3/4	16
FL2S-FM-SHP-100R-T	Stainless steel		Polytetrafluoroethylene (PTFE)	Rp 1	R 1	16
FL2S-FM-SHP-114R-T	Stainless steel		Polytetrafluoroethylene (PTFE)	Rp 1 1/4	R 1 1/4	16
FL2S-FM-SHP-112R-T	Stainless steel		Polytetrafluoroethylene (PTFE)	Rp 1 1/2	R 1 1/2	16
FL2S-FM-SHP-200R-T	Stainless steel		Polytetrafluoroethylene (PTFE)	Rp 2	R 2	16
FL2S-FM-SHP-212R-T	Stainless steel		Polytetrafluoroethylene (PTFE)	Rp 2 1/2	R 2 1/2	16
FL2S-FM-SHP-300R-T	Stainless steel		Polytetrafluoroethylene (PTFE)	Rp 3	R 3	16
FL2S-FM-SHP-400R-T	Stainless steel		Polytetrafluoroethylene (PTFE)	Rp 4	R 4	16
FL2S-FM-IZ-038R-T	Cast iron	Zinc plated		Rp 3/8	R 3/8	25
FL2S-FM-IZ-012R-T	Cast iron	Zinc plated		Rp 1/2	R 1/2	25
FL2S-FM-IZ-034R-T	Cast iron	Zinc plated		Rp 3/4	R 3/4	25
FL2S-FM-IZ-100R-T	Cast iron	Zinc plated		Rp 1	R 1	25
FL2S-FM-IZ-114R-T	Cast iron	Zinc plated		Rp 1 1/4	R 1 1/4	25
FL2S-FM-IZ-112R-T	Cast iron	Zinc plated		Rp 1 1/2	R 1 1/2	25
FL2S-FM-IZ-200R-T	Cast iron	Zinc plated		Rp 2	R 2	25
FL2S-FM-IZ-212R-T	Cast iron	Zinc plated		Rp 2 1/2	R 2 1/2	25
FL2S-FM-IZ-300R-T	Cast iron	Zinc plated		Rp 3	R 3	25

### ENGLISH

#### Materials:

Seal: Type Brass: Centellen\*, Type 1.4408: PTFE, Type Malleable cast iron, zinc plating: Please order separately

#### Warning:

Version of the sealing surfaces and union nuts varies depending on the manufacturer. It is not recommended to mix individual parts.

#### Do not forget:

For malleable cast iron type, the seal must be ordered separately!

\*application area: water, steam, alcohol, flammable gases, hydrocarbon based oils

### NEDERLANDS

#### Materialen

Afdichting: Type messing: Centellen\*, Typ 1.4408: PTFE, type verzinkt buigzaam: Apart bestellen

#### Let op:

Uitvoering van afdichtingsvlakken en wartelmoeren varieert afhankelijk van de fabrikant. Het combineren van afzonderlijke onderdelen wordt niet aangeraden.

#### Niet vergeten:

Voor type buigzaam moet de afdichting apart besteld worden!

\*Toepassingsbereik: Water, stoom, alcohol, brandbaar gas, olie op basis van koolwaterstof

### DEUTSCH

#### Werkstoffe:

Dichtung: Typ Messing: Centellen\*, Typ 1.4408: PTFE, Typ Temperguss verzinkt: Bitte separat bestellen

#### Achtung:

Ausführung der Dichtflächen und Überwurfmuttern variiert je nach Hersteller. Ein Mischen der Einzelteile wird nicht empfohlen.

#### Nicht vergessen:

Für Typ Temperguss muss die Dichtung separat bestellt werden!

\*Einsatzbereich: Wasser, Dampf, Alkohol, brennbare Gase, Öle auf Kohlenwasserstoffbasis

### FRANÇAIS

#### Matériaux:

joint : type laiton : Centellen\*, type 1.4408 : PTFE, type fonte malléable zinguée: à commander séparément

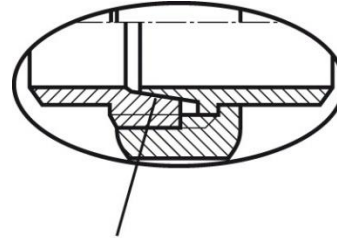
#### Attention :

les surfaces d'étanchéité et les écrous-raccords varient en fonction du fabricant. Il n'est pas recommandé de mélanger les composants.

#### Ne pas oublier:

Pour le modèle en fonte malléable, le joint doit être commandé séparément !

\*Domaine d'utilisation: eau, vapeur, alcool, gaz inflammables, huiles à base d'hydrocarbures



Conical sealing

## Screw connections with female thread - conically sealing, up to 25 bar

Reference	Material	Surface protection	Nominal inner diameter of connection 1 (inch)	Nominal inner diameter of connection 2 (inch)	Max pressure (bar)
FL2S-F-B-012R-C	Brass		Rp 1/2	Rp 1/2	16
FL2S-F-B-034R-C	Brass		Rp 3/4	Rp 3/4	16
FL2S-F-B-100R-C	Brass		Rp 1	Rp 1	16
FL2S-F-B-114R-C	Brass		Rp 1 1/4	Rp 1 1/4	16
FL2S-F-B-112R-C	Brass		Rp 1 1/2	Rp 1 1/2	16
FL2S-F-B-200R-C	Brass		Rp 2	Rp 2	16
FL2S-F-SH-018R-C	Stainless steel		Rp 1/8	Rp 1/8	16
FL2S-F-SH-014R-C	Stainless steel		Rp 1/4	Rp 1/4	16
FL2S-F-SH-038R-C	Stainless steel		Rp 3/8	Rp 3/8	16
FL2S-F-SH-012R-C	Stainless steel		Rp 1/2	Rp 1/2	16
FL2S-F-SH-034R-C	Stainless steel		Rp 3/4	Rp 3/4	16
FL2S-F-SH-100R-C	Stainless steel		Rp 1	Rp 1	16
FL2S-F-SH-114R-C	Stainless steel		Rp 1 1/4	Rp 1 1/4	16
FL2S-F-SH-112R-C	Stainless steel		Rp 1 1/2	Rp 1 1/2	16
FL2S-F-SH-200R-C	Stainless steel		Rp 2	Rp 2	16
FL2S-F-SH-212R-C	Stainless steel		Rp 2 1/2	Rp 2 1/2	16
FL2S-F-SH-300R-C	Stainless steel		Rp 3	Rp 3	16
FL2S-F-SH-400R-C	Stainless steel		Rp 4	Rp 4	16
FL2S-F-IZ-014R-C	Cast iron	Zinc plated	Rp 1/4	Rp 1/4	25
FL2S-F-IZ-038R-C	Cast iron	Zinc plated	Rp 3/8	Rp 3/8	25
FL2S-F-IZ-012R-C	Cast iron	Zinc plated	Rp 1/2	Rp 1/2	25
FL2S-F-IZ-034R-C	Cast iron	Zinc plated	Rp 3/4	Rp 3/4	25
FL2S-F-IZ-100R-C	Cast iron	Zinc plated	Rp 1	Rp 1	25
FL2S-F-IZ-114R-C	Cast iron	Zinc plated	Rp 1 1/4	Rp 1 1/4	25
FL2S-F-IZ-112R-C	Cast iron	Zinc plated	Rp 1 1/2	Rp 1 1/2	25
FL2S-F-IZ-200R-C	Cast iron	Zinc plated	Rp 2	Rp 2	25
FL2S-F-IZ-212R-C	Cast iron	Zinc plated	Rp 2 1/2	Rp 2 1/2	25
FL2S-F-IZ-300R-C	Cast iron	Zinc plated	Rp 3	Rp 3	25
FL2S-F-SH-018N-C	Stainless steel		1/8 NPT	1/8 NPT	16
FL2S-F-SH-014N-C	Stainless steel		1/4 NPT	1/4 NPT	16
FL2S-F-SH-038N-C	Stainless steel		3/8 NPT	3/8 NPT	16
FL2S-F-SH-012N-C	Stainless steel		1/2 NPT	1/2 NPT	16
FL2S-F-SH-034N-C	Stainless steel		3/4 NPT	3/4 NPT	16
FL2S-F-SH-100N-C	Stainless steel		1 NPT	1 NPT	16
FL2S-F-SH-114N-C	Stainless steel		1 1/4 NPT	1 1/4 NPT	16
FL2S-F-SH-112N-C	Stainless steel		1 1/2 NPT	1 1/2 NPT	16
FL2S-F-SH-200N-C	Stainless steel		2 NPT	2 NPT	16