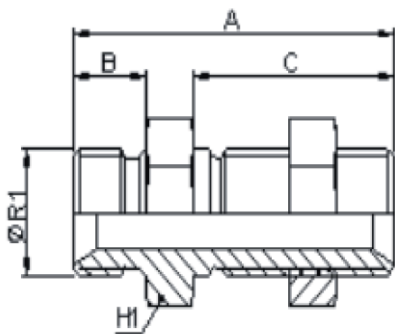


FL2S-M-BI - series

Bulkhead nipple with inch-thread (60° conical hose nipple), up to 475 bar



Reference	Material	Surface protection	Nominal outer diameter of connection 1 and 2 (inch)	Max pressure (bar)
FL2S-M-EZ-018G-BI	Steel	Zinc plated	G 1/8	475
FL2S-M-EZ-014G-BI	Steel	Zinc plated	G 1/4	350
FL2S-M-EZ-038G-BI	Steel	Zinc plated	G 3/8	325
FL2S-M-EZ-012G-BI	Steel	Zinc plated	G 1/2	350
FL2S-M-EZ-034G-BI	Steel	Zinc plated	G 3/4	325
FL2S-M-EZ-100G-BI	Steel	Zinc plated	G 1	225
FL2S-M-EZ-114G-BI	Steel	Zinc plated	G 1 1/4	190
FL2S-M-EZ-112G-BI	Steel	Zinc plated	G 1 1/2	190
FL2S-M-EZ-200G-BI	Steel	Zinc plated	G 2	175
FL2S-M-S-018G-BI	Stainless steel		G 1/8	475
FL2S-M-S-014G-BI	Stainless steel		G 1/4	350
FL2S-M-S-038G-BI	Stainless steel		G 3/8	325
FL2S-M-S-012G-BI	Stainless steel		G 1/2	350
FL2S-M-S-034G-BI	Stainless steel		G 3/4	325
FL2S-M-S-100G-BI	Stainless steel		G 1	225
FL2S-M-S-114G-BI	Stainless steel		G 1 1/4	190
FL2S-M-S-112G-BI	Stainless steel		G 1 1/2	190
FL2S-M-S-200G-BI	Stainless steel		G 2	175



Reference	A (mm)	B (mm)	C (mm)	H1 (mm)
FL2S-M-EZ-018G-BI	43.4	10	25	14
FL2S-M-EZ-014G-BI	48.4	10	29	18
FL2S-M-EZ-038G-BI	54.2	12	31	22
FL2S-M-EZ-012G-BI	61	14	34	27
FL2S-M-EZ-034G-BI	66.2	16	37	32
FL2S-M-EZ-100G-BI	74.2	19	41	40
FL2S-M-EZ-114G-BI	89.5	20.5	52	50
FL2S-M-EZ-112G-BI	93	23	55	55
FL2S-M-EZ-200G-BI	97.5	25.5	55	70
FL2S-M-S-018G-BI	42.5	8	28	14
FL2S-M-S-014G-BI	46	11	28	19
FL2S-M-S-038G-BI	52	12	32	22
FL2S-M-S-012G-BI	59	14	35	27
FL2S-M-S-034G-BI	66	16	38	32
FL2S-M-S-100G-BI	72	19	41	41
FL2S-M-S-114G-BI	78	20	44	50
FL2S-M-S-112G-BI	84	22	48	55
FL2S-M-S-200G-BI	91	23	48	70