

FL2S-FM-R and FL2E-MF-R – series

High-pressure rotary joint

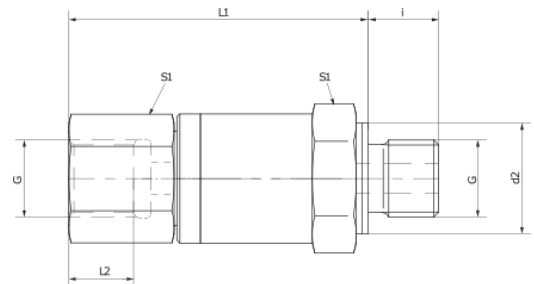


High-pressure rotary joint, up to 500 bar

Reference	Material	Surface protection	Nominal inner diameter of connection 1 (inch)	Nominal outer diameter of connection 2 (inch)	Max pressure (bar)	Max. number of revolutions (1/min)
FL2S-FM-EZFP-014G-R	Steel	Zinc plated	G 1/4	G 1/4	500	5
FL2S-FM-EZFP-038G-R	Steel	Zinc plated	G 3/8	G 3/8	400	5
FL2S-FM-EZFP-012G-R	Steel	Zinc plated	G 1/2	G 1/2	400	5
FL2S-FM-EZFP-034G-R	Steel	Zinc plated	G 3/4	G 3/4	400	2
FL2S-FM-EZFP-100G-R	Steel	Zinc plated	G 1	G 1	400	2
FL2S-FM-EZFP-114G-R	Steel	Zinc plated	G 1 1/4	G 1 1/4	400	1
FL2S-FM-EZFP-112G-R	Steel	Zinc plated	G 1 1/2	G 1 1/2	315	1
FL2S-FM-SFP-014G-R	Stainless steel		G 1/4	G 1/4	250	5
FL2S-FM-SFP-038G-R	Stainless steel		G 3/8	G 3/8	250	5
FL2S-FM-SFP-012G-R	Stainless steel		G 1/2	G 1/2	250	5
FL2S-FM-SFP-034G-R	Stainless steel		G 3/4	G 3/4	250	2
FL2S-FM-SFP-100G-R	Stainless steel		G 1	G 1	250	2
FL2S-FM-SFP-114G-R	Stainless steel		G 1 1/4	G 1 1/4	250	1
FL2S-FM-SFP-112G-R	Stainless steel		G 1 1/2	G 1 1/2	250	1

Reference	L1	L2	i	d2	S1	S2
FL2S-014	49,5 (71)*	12 (12)*	12	19 (25,5)*	19 (19)*	22 (24)*
FL2S-038	56 (82,5)	11 (12)* 1	12	24 (33,5)*	24 (27)*	30 (32)*
FL2S-012	59,5 (80,5)*	13 (14)*	14	27 (33,5)*	30 (30)*	30 (32)*
FL2S-034	70,5 (126)* 1	14 (16)*	16	32 (46)*	36 (36)*	41(50)*
FL2S-100	71,5 (124)*	15 (18)*	18	40 (46)	41(41)*	41(50)*
FL2S-114	82,5 (122)*	16 (20)*	20	50 (67)*	55 (55)*	60 (60)*
FL2S-112	91,0 (144,5)*	20 (22)*	22	55 (67)*	60 (65)*	60 (80)*

* - Stainless steel



ENGLISH

Suitable:

For slow swivelling and rotational movements.

Materials:

Body: zinc plated steel, seal: FKM / PTFE

Temperature range:

-20°C bis +120°C

Media:

Hydraulic oil or oiled compressed air

NEDERLANDS

Gebruik:

Voor langzame zwenk- en draaibewegingen.

Materialen

Lichaam: Verzinkt staal, afdichting: FKM / PTFE

Temperatuurbereik:

-20°C bis +120°C

Media:

Hydraulische olie of geoliede perslucht

DEUTSCH

Verwendung:

Für langsame Schwenk- und Drehbewegungen.

Werkstoffe:

Körper: Stahl verzinkt, Dichtung: FKM / PTFE

Temperaturbereich:

-20°C bis +120°C

Medien:

Hydrauliköl oder geölte Druckluft

FRANÇAIS

Utilisation:

Pour les mouvements de pivotement et de rotation lents.

Matériaux:

Corps: acier zingué, joint : FKM/PTFE

Plage de température:

-20°C bis +120°C

Fluides:

Huile hydraulique ou air comprimé huilé

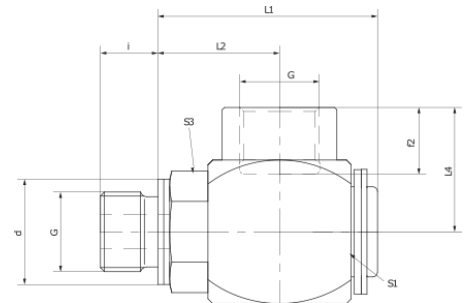


High-pressure elbow swivel joint, up to 400 bar

Reference	Material	Surface protection	Seal	Nominal outer diameter of connection 1 (inch)	Nominal inner diameter of connection 2 (inch)	Max pressure (bar)	Max. number of revolutions (1/min)
FL2E-MF-EZN-014G-R	Steel	Zinc plated	NBR (nitrile rubber)	G 1/4	G 1/4	400	10
FL2E-MF-EZN-038G-R	Steel	Zinc plated	NBR (nitrile rubber)	G 3/8	G 3/8	400	5
FL2E-MF-EZN-012G-R	Steel	Zinc plated	NBR (nitrile rubber)	G 1/2	G 1/2	400	2
FL2E-MF-EZN-034G-R	Steel	Zinc plated	NBR (nitrile rubber)	G 3/4	G 3/4	250	1
FL2E-MF-EZN-100G-R	Steel	Zinc plated	NBR (nitrile rubber)	G 1	G 1	250	1
FL2E-MF-EZN-114G-R	Steel	Zinc plated	NBR (nitrile rubber)	G 1 1/4	G 1 1/4	250	0.5
FL2E-MF-EZN-112G-R	Steel	Zinc plated	NBR (nitrile rubber)	G 1 1/2	G 1 1/2	250	0.5
FL2E-MF-SFP-014G-R	Stainless steel		FKM / PTFE	G 1/4	G 1/4	400	10
FL2E-MF-SFP-038G-R	Stainless steel		FKM / PTFE	G 3/8	G 3/8	400	5
FL2E-MF-SFP-012G-R	Stainless steel		FKM / PTFE	G 1/2	G 1/2	400	2
FL2E-MF-SFP-034G-R	Stainless steel		FKM / PTFE	G 3/4	G 3/4	250	1
FL2E-MF-SFP-100G-R	Stainless steel		FKM / PTFE	G 1	G 1	250	1
FL2E-MF-SFP-114G-R	Stainless steel		FKM / PTFE	G 1 1/4	G 1 1/4	250	0.5
FL2E-MF-SFP-112G-R	Stainless steel		FKM / PTFE	G 1 1/2	G 1 1/2	250	0.5

Reference	L1	L2	i	L4	f2	d2	S1	S3
FL2E-014	40 (41)*	22,5 (22)*	12	25.5	14	19	27	19
FL2E-038	48 (47)*	27,0 (26)*	12	30.0	14	22	32	24 (22)*
FL2E-012	55	30.0	14	31.0	17	27	36 (35)* 2	27
FL2E-034	66	35.0	16	36.0	19	32	45	36
FL2E-100	78	41.0	18	45.5	21	40	55	41
FL2E-114	92	51.0	20	52.5	23	50	65	50
FL2E-112	102	56.0	22	59.0	25	55	75	55

* - Stainless steel



ENGLISH

Suitable:

For slow swivelling and rotational movements.

Materials:

Body: zinc plated steel, seal: NBR

Temperature range:

-30°C bis +100°C

Media:

Hydraulic oil or oiled compressed air

Optional:

Version in stainless steel (FKM / PTFE-seals, -20°C to max. +120°C) **-SF**

NEDERLANDS

Gebruik:

Voor langzame zwenk- en draaibewegingen.

Materialen

Lichaam: Verzinkt staal, afdichting: NBR

Temperatuurbereik:

-30°C bis +100°C

Media:

Hydraulische olie of geolieerde perslucht

Optioneel:

Uitvoering in roestvrij staal (FKM / PTFE-afdichtingen, -20°C tot max. +120°C) **-SF**

DEUTSCH

Verwendung:

Für langsame Schwenk- und Drehbewegungen.

Werkstoffe:

Körper: Stahl verzinkt, Dichtung: NBR

Temperatuurbereich:

-30°C bis +100°C

Medien:

Hydrauliköl oder geölte Druckluft

Optional:

Ausführung in Edelstahl (FKM / PTFE-Dichtungen, -20°C bis max. +120°C) **-SF**

FRANÇAIS

Utilisation:

Pour les mouvements de pivotement et de rotation lents.

Matériaux:

Corps: acier zingué, joint : NBR

Plage de température:

-30°C bis +100°C

Fluides:

Huile hydraulique ou air comprimé huilé

En option:

Modèles en acier inox (joints FKM / PTFE, -20°C à max. +120°C) **-SF**