

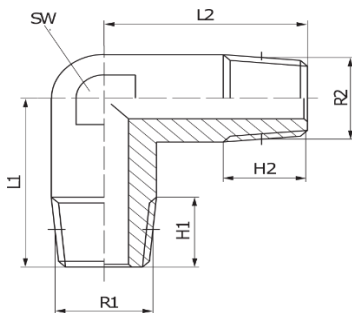
FL2E-M - series

Angle fittings



Angle with male thread, up to 150 bar

Reference	Material	Surface protection	Nominal outer diameter connection 1 and 2 (inch)	Max pressure (bar)
FL2E-M-BN-M5	Brass	Nickel-plated	M5	16
FL2E-M-BN-018R	Brass	Nickel-plated	R 1/8 inch	16
FL2E-M-BN-014R	Brass	Nickel-plated	R 1/4 inch	16
FL2E-M-BN-038R	Brass	Nickel-plated	R 3/8 inch	16
FL2E-M-BN-012R	Brass	Nickel-plated	R 1/2 inch	16
FL2E-M-BN-034R	Brass	Nickel-plated	R 3/4 inch	16
FL2E-M-BN-100R	Brass	Nickel-plated	R 1 inch	16
FL2E-M-B-018R	Brass		R 1/8 inch	16
FL2E-M-B-014R	Brass		R 1/4 inch	16
FL2E-M-B-038R	Brass		R 3/8 inch	16
FL2E-M-B-012R	Brass		R 1/2 inch	16
FL2E-M-B-034R	Brass		R 3/4 inch	16
FL2E-M-B-100R	Brass		R 1 inch	16
FL2E-M-IZ-038R	Cast iron	Zinc plated	R 3/8 inch	25
FL2E-M-IZ-012R	Cast iron	Zinc plated	R 1/2 inch	25
FL2E-M-IZ-034R	Cast iron	Zinc plated	R 3/4 inch	25
FL2E-M-IZ-100R	Cast iron	Zinc plated	R 1 inch	25
FL2E-M-IZ-114R	Cast iron	Zinc plated	R 1 1/4 inch	25
FL2E-M-IZ-112R	Cast iron	Zinc plated	R 1 1/2 inch	25
FL2E-M-IZ-200R	Cast iron	Zinc plated	R 2 inch	25
FL2E-M-S-018R	Stainless steel		R 1/8 inch	150
FL2E-M-S-014R	Stainless steel		R 1/4 inch	150
FL2E-M-S-038R	Stainless steel		R 3/8 inch	150
FL2E-M-S-012R	Stainless steel		R 1/2 inch	150



Reference	H1 (mm)	H2 (mm)	L1 (mm)	L2 (mm)	SW (mm)
FL2E-M-BN-M5	4	4	11	11	9
FL2E-M-BN-018R	8	8	18.5	18.5	10
FL2E-M-BN-014R	11	11	23.5	23.5	13
FL2E-M-BN-038R	11.5	11.5	26	26	17
FL2E-M-BN-012R	14	14	31	31	21
FL2E-M-BN-034R	16	16	33	33	25
FL2E-M-BN-100R	17	17	39	39	30
FL2E-M-B-018R	8	8	18.5	18.5	10
FL2E-M-B-014R	11	11	23.5	23.5	13
FL2E-M-B-038R	11.5	11.5	26	26	17
FL2E-M-B-012R	14	14	31	31	21
FL2E-M-B-034R	16	16	33	33	25
FL2E-M-B-100R	17	17	39	39	30
FL2E-M-S-018R			17	17	10
FL2E-M-S-014R			21.5	21.5	12
FL2E-M-S-038R			24.5	24.5	17
FL2E-M-S-012R			30.5	30.5	19

**Angle with NPT-thread, up to 420 bar**

Reference	Material	Surface protection	Nominal outer diameter connection 1 and 2 (inch)	Max pressure (bar)
FL2E-M-EZ-014N	Steel	Zinc plated	1/4 NPT	350
FL2E-M-EZ-038N	Steel	Zinc plated	3/8 NPT	250
FL2E-M-EZ-012N	Steel	Zinc plated	1/2 NPT	225
FL2E-M-EZ-034N	Steel	Zinc plated	3/4 NPT	200
FL2E-M-EZ-100N	Steel	Zinc plated	1 NPT	160