

FL2E-FM - series

Angle fittings



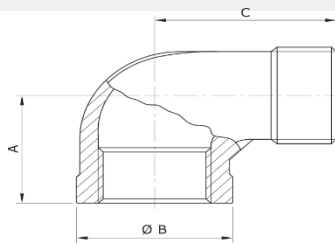
45° screw-in elbow with female and male threads, up to 25 bar

Reference	Material	Surface protection	Nominal inner diameter connection 1 (inch)	Nominal outer diameter connection 2 (inch)	Max pressure (bar)
FL2E-FM-B-038R-45	Brass		Rp 3/8	R 3/8	16
FL2E-FM-B-012R-45	Brass		Rp 1/2	R 1/2	16
FL2E-FM-B-034R-45	Brass		Rp 3/4	R 3/4	16
FL2E-FM-B-100R-45	Brass		Rp 1	R 1	16
FL2E-FM-B-114R-45	Brass		Rp 1 1/4	R 1 1/4	16
FL2E-FM-B-112R-45	Brass		Rp 1 1/2	R 1 1/2	16
FL2E-FM-B-200R-45	Brass		Rp 2	R 2	16
FL2E-FM-IZ-038R-45	Cast iron	Zinc plated	Rp 3/8	R 3/8	16
FL2E-FM-IZ-012R-45	Cast iron	Zinc plated	Rp 1/2	R 1/2	16
FL2E-FM-IZ-034R-45	Cast iron	Zinc plated	Rp 3/4	R 3/4	16
FL2E-FM-IZ-100R-45	Cast iron	Zinc plated	Rp 1	R 1	16
FL2E-FM-IZ-114R-45	Cast iron	Zinc plated	Rp 1 1/4	R 1 1/4	16
FL2E-FM-IZ-112R-45	Cast iron	Zinc plated	Rp 1 1/2	R 1 1/2	16
FL2E-FM-IZ-200R-45	Cast iron	Zinc plated	Rp 2	R 2	25
FL2E-FM-SH-014R-45	Stainless steel		Rp 1/4	R 1/4	25
FL2E-FM-SH-038R-45	Stainless steel		Rp 3/8	R 3/8	25
FL2E-FM-SH-012R-45	Stainless steel		Rp 1/2	R 1/2	25
FL2E-FM-SH-034R-45	Stainless steel		Rp 3/4	R 3/4	25
FL2E-FM-SH-100R-45	Stainless steel		Rp 1	R 1	25
FL2E-FM-SH-114R-45	Stainless steel		Rp 1 1/4	R 1 1/4	25
FL2E-FM-SH-112R-45	Stainless steel		Rp 1 1/2	R 1 1/2	150
FL2E-FM-SH-200R-45	Stainless steel		Rp 2	R 2	150



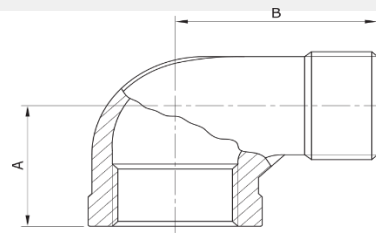
Screw-in elbow with female and male threads (cast), up to 25 bar

Reference	Material	Surface protection	Nominal inner diameter connection 1 (inch)	Nominal outer diameter connection 2 (inch)	Max pressure (bar)
FL2E-FM-SH-018R-S	Stainless steel		Rp 1/8	R 1/8	10
FL2E-FM-SH-014R-S	Stainless steel		Rp 1/4	R 1/4	10
FL2E-FM-SH-038R-S	Stainless steel		Rp 3/8	R 3/8	10
FL2E-FM-SH-012R-S	Stainless steel		Rp 1/2	R 1/2	10
FL2E-FM-SH-034R-S	Stainless steel		Rp 3/4	R 3/4	10
FL2E-FM-SH-100R-S	Stainless steel		Rp 1	R 1	10
FL2E-FM-SH-114R-S	Stainless steel		Rp 1 1/4	R 1 1/4	10
FL2E-FM-SH-112R-S	Stainless steel		Rp 1 1/2	R 1 1/2	10
FL2E-FM-SH-200R-S	Stainless steel		Rp 2	R 2	10
FL2E-FM-SH-018R	Stainless steel		Rp 1/8	R 1/8	16
FL2E-FM-SH-014R	Stainless steel		Rp 1/4	R 1/4	16
FL2E-FM-SH-038R	Stainless steel		Rp 3/8	R 3/8	16
FL2E-FM-SH-012R	Stainless steel		Rp 1/2	R 1/2	16
FL2E-FM-SH-034R	Stainless steel		Rp 3/4	R 3/4	16
FL2E-FM-SH-100R	Stainless steel		Rp 1	R 1	16
FL2E-FM-SH-114R	Stainless steel		Rp 1 1/4	R 1 1/4	16
FL2E-FM-SH-112R	Stainless steel		Rp 1 1/2	R 1 1/2	16
FL2E-FM-SH-200R	Stainless steel		Rp 2	R 2	16
FL2E-FM-SH-212R	Stainless steel		Rp 2 1/2	R 2 1/2	16
FL2E-FM-SH-300R	Stainless steel		Rp 3	R 3	16
FL2E-FM-SH-400R	Stainless steel		Rp 4	R 4	16
FL2E-FM-IZ-018R	Cast iron	Zinc plated	Rp 1/8	R 1/8	25
FL2E-FM-IZ-014R	Cast iron	Zinc plated	Rp 1/4	R 1/4	25
FL2E-FM-IZ-038R	Cast iron	Zinc plated	Rp 3/8	R 3/8	25
FL2E-FM-IZ-012R	Cast iron	Zinc plated	Rp 1/2	R 1/2	25
FL2E-FM-IZ-034R	Cast iron	Zinc plated	Rp 3/4	R 3/4	25
FL2E-FM-IZ-100R	Cast iron	Zinc plated	Rp 1	R 1	25
FL2E-FM-IZ-114R	Cast iron	Zinc plated	Rp 1 1/4	R 1 1/4	25
FL2E-FM-IZ-112R	Cast iron	Zinc plated	Rp 1 1/2	R 1 1/2	25
FL2E-FM-IZ-200R	Cast iron	Zinc plated	Rp 2	R 2	25
FL2E-FM-IZ-212R	Cast iron	Zinc plated	Rp 2 1/2	R 2 1/2	25
FL2E-FM-IZ-300R	Cast iron	Zinc plated	Rp 3	R 3	25
FL2E-FM-IZ-400R	Cast iron	Zinc plated	Rp 4	R 4	25
FL2E-FM-SH-018N	Stainless steel		1/8 NPT	1/8 NPT	16
FL2E-FM-SH-014N	Stainless steel		1/4 NPT	1/4 NPT	16
FL2E-FM-SH-038N	Stainless steel		3/8 NPT	3/8 NPT	16
FL2E-FM-SH-012N	Stainless steel		1/2 NPT	1/2 NPT	16
FL2E-FM-SH-034N	Stainless steel		3/4 NPT	3/4 NPT	16
FL2E-FM-SH-100N	Stainless steel		1 NPT	1 NPT	16
FL2E-FM-SH-114N	Stainless steel		1 1/4 NPT	1 1/4 NPT	16
FL2E-FM-SH-112N	Stainless steel		1 1/2 NPT	1 1/2 NPT	16
FL2E-FM-SH-200N	Stainless steel		2 NPT	2 NPT	16



Stainless steel

Reference	A (mm)	B (mm)	C (mm)
FL2E-FM-SH-018R-S	19	13.9	26.5
FL2E-FM-SH-014R-S	21.5	17.2	30.8
FL2E-FM-SH-038R-S	24.5	20.9	36.5
FL2E-FM-SH-012R-S	29	24.9	41
FL2E-FM-SH-034R-S	33.5	31.2	48
FL2E-FM-SH-100R-S	37	38.1	55
FL2E-FM-SH-114R-S	43	47.4	62
FL2E-FM-SH-112R-S	47	54.1	67
FL2E-FM-SH-200R-S	57.5	66.6	77.5
FL2E-FM-SH-018R	19	15	26.5
FL2E-FM-SH-014R	21.5	20.5	30.8
FL2E-FM-SH-038R	24.5	24	36.5
FL2E-FM-SH-012R	29	28.4	41
FL2E-FM-SH-034R	33.5	34.3	48
FL2E-FM-SH-100R	37	41	55
FL2E-FM-SH-114R	43	51	62
FL2E-FM-SH-112R	47	56.5	67
FL2E-FM-SH-200R	57.5	69.5	77.5
FL2E-FM-SH-212R	66	87.4	93
FL2E-FM-SH-300R	74	101.8	107
FL2E-FM-SH-400R	90	128	130



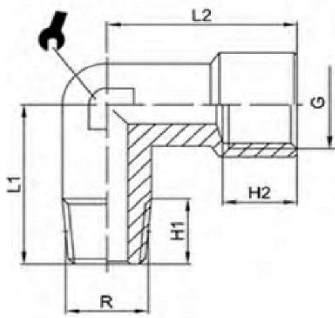
Cast iron

Reference	A (mm)	B (mm)
FL2E-FM-IZ-112R	50	65
FL2E-FM-IZ-200R	58	74
FL2E-FM-IZ-212R	69	88
FL2E-FM-IZ-300R	78	98



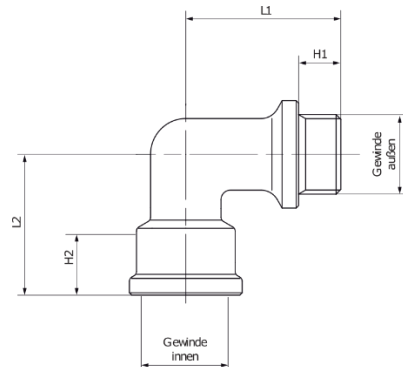
Screw-in elbow with female and male threads (forged), up to 150 bar

Reference	Material	Surface protection	Nominal inner diameter connection 1	Nominal outer diameter connection 2	Max pressure (bar)
FL2E-FM-BN-M5	Brass	Nickel-plated	M5	M5	16
FL2E-FM-BN-018GR	Brass	Nickel-plated	G 1/8 inch	R 1/8 inch	16
FL2E-FM-BN-014GR	Brass	Nickel-plated	G 1/4 inch	R 1/4 inch	16
FL2E-FM-BN-038GR	Brass	Nickel-plated	G 3/8 inch	R 3/8 inch	16
FL2E-FM-BN-012GR	Brass	Nickel-plated	G 1/2 inch	R 1/2 inch	16
FL2E-FM-BN-034GR	Brass	Nickel-plated	G 3/4 inch	R 3/4 inch	16
FL2E-FM-BN-100GR	Brass	Nickel-plated	G 1 inch	R 1 inch	16
FL2E-FM-B-018GR	Brass		G 1/8 inch	R 1/8 inch	16
FL2E-FM-B-014GR	Brass		G 1/4 inch	R 1/4 inch	16
FL2E-FM-B-038G	Brass		G 3/8 inch	G 3/8 inch	16
FL2E-FM-B-012G	Brass		G 1/2 inch	G 1/2 inch	16
FL2E-FM-B-034G	Brass		G 3/4 inch	G 3/4 inch	16
FL2E-FM-B-100G	Brass		G 1 inch	G 1 inch	16
FL2E-FM-B-114G	Brass		G 1 1/4 inch	G 1 1/4 inch	16
FL2E-FM-B-112G	Brass		G 1 1/2 inch	G 1 1/2 inch	16
FL2E-FM-B-200G	Brass		G 2 inch	G 2 inch	16
FL2E-FM-B-212G	Brass		G 2 1/2 inch	G 2 1/2 inch	16
FL2E-FM-B-300G	Brass		G 3 inch	G 3 inch	16
FL2E-FM-S-018GR	Stainless steel		G 1/8 inch	R 1/8 inch	150
FL2E-FM-S-014GR	Stainless steel		G 1/4 inch	R 1/4 inch	150
FL2E-FM-S-038GR	Stainless steel		G 3/8 inch	R 3/8 inch	150
FL2E-FM-S-012GR	Stainless steel		G 1/2 inch	R 1/2 inch	150



Brass, nickel-plated

Reference	H1 (mm)	H2 (mm)	L1 (mm)	L2 (mm)	SW (mm)
FL2E-FM-BN-M5	4	5	11.5	11	9
FL2E-FM-BN-018GR	8	8	17	20	12
FL2E-FM-BN-014GR	1	11	23.5	25.5	13
FL2E-FM-BN-038GR	11.5	12	26	28	17
FL2E-FM-BN-012GR	14	14	31	33.5	21
FL2E-FM-BN-034GR	16	16.5	33	36.5	25
FL2E-FM-BN-100GR	17.5	19	39	45	30



Cast iron

Reference	H1 (mm)	H2 (mm)	L1 (mm)	L2 (mm)
FL2E-FM-B-038G	9	11.5	33	29.5
FL2E-FM-B-034G	12	14	39	39



Screw-in elbow with inch-thread (60° conical hose nipple), up to 475 bar

Reference	Material	Surface protection	Nominal inner diameter connection 1 (inch)	Nominal outer diameter connection 2 (inch)	Max pressure (bar)
FL2E-MF-EZ-018G-I	Steel	Zinc plated	G 1/8	G 1/8	475
FL2E-MF-EZ-014G-I	Steel	Zinc plated	G 1/4	G 1/4	350
FL2E-MF-EZ-038G-I	Steel	Zinc plated	G 3/8	G 3/8	325
FL2E-MF-EZ-012G-I	Steel	Zinc plated	G 1/2	G 1/2	300
FL2E-MF-EZ-034G-I	Steel	Zinc plated	G 3/4	G 3/4	175
FL2E-MF-EZ-100G-I	Steel	Zinc plated	G 1	G 1	150
FL2E-MF-EZ-114G-I	Steel	Zinc plated	G 1 1/4	G 1 1/4	150
FL2E-MF-EZ-112G-I	Steel	Zinc plated	G 1 1/2	G 1 1/2	125
FL2E-MF-EZ-200G-I	Steel	Zinc plated	G 2	G 2	75
FL2E-MF-S-018G-I	Stainless steel		G 1/8	G 1/8	475
FL2E-MF-S-014G-I	Stainless steel		G 1/4	G 1/4	350
FL2E-MF-S-038G-I	Stainless steel		G 3/8	G 3/8	325
FL2E-MF-S-012G-I	Stainless steel		G 1/2	G 1/2	300
FL2E-MF-S-034G-I	Stainless steel		G 3/4	G 3/4	175
FL2E-MF-S-100G-I	Stainless steel		G 1	G 1	150
FL2E-MF-S-114G-I	Stainless steel		G 1 1/4	G 1 1/4	150
FL2E-MF-S-112G-I	Stainless steel		G 1 1/2	G 1 1/2	125
FL2E-MF-S-200G-I	Stainless steel		G 2	G 2	75

* **the safety factor reached in tests with hydraulic oil was four-times, please ask in individual cases



Screw-in elbow with NPT thread, up to 275 bar

Reference	Material	Surface protection	Nominal inner diameter connection 1 (inch)	Nominal outer diameter connection 2 (inch)	Max pressure (bar)
FL2E-MF-EZ-014N	Steel	Zinc plated	1/4 NPT	1/4 NPT	275
FL2E-MF-EZ-038N	Steel	Zinc plated	3/8 NPT	3/8 NPT	210
FL2E-MF-EZ-012N	Steel	Zinc plated	1/2 NPT	1/2 NPT	210
FL2E-MF-EZ-034N	Steel	Zinc plated	3/4 NPT	3/4 NPT	170
FL2E-MF-EZ-100N	Steel	Zinc plated	1 NPT	1 NPT	140
FL2E-MF-S-014N	Stainless steel		1/4 NPT	1/4 NPT	275
FL2E-MF-S-038N	Stainless steel		3/8 NPT	3/8 NPT	210
FL2E-MF-S-012N	Stainless steel		1/2 NPT	1/2 NPT	210
FL2E-MF-S-034N	Stainless steel		3/4 NPT	3/4 NPT	170
FL2E-MF-S-100N	Stainless steel		1 NPT	1 NPT	140