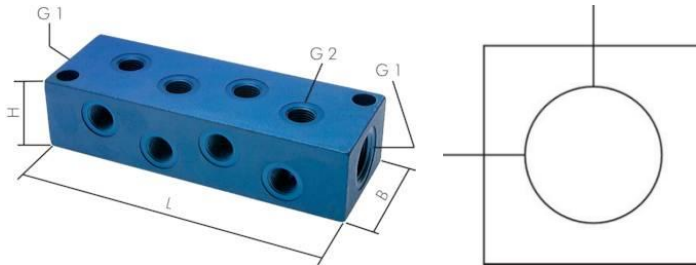


# FL2-F and FL4-F-D - series

Distributor blocks



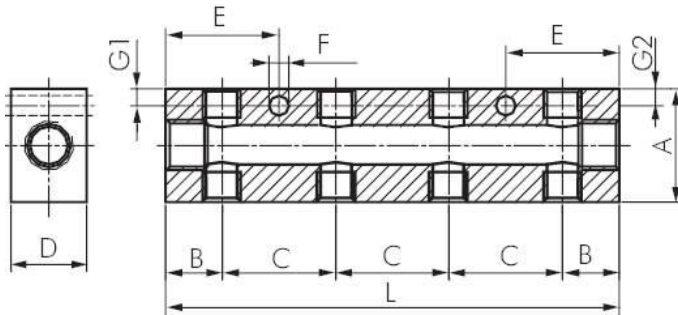
## Distributor bars 8-way - M5 to G 1/2", PN 16

Reference	Material	Nominal inner diameter connection G1	Nominal inner diameter connection G2	Max pressure (bar)	L (mm)	B (mm)	H (mm)
FL2-F-A-014G-M5-8M	Aluminium	2 x G 1/4 inch	8 x M5	16	65	32	25
FL2-F-A-038G-018G-8M	Aluminium	2 x G 3/8 inch	8 x G 1/8 inch	16	114	40	30
FL2-F-A-012G-014G-8M	Aluminium	2 x G 1/2 inch	8 x G 1/4 inch	16	144	50	35
FL2-F-A-034G-012G-8M	Aluminium	2 x G 3/4 inch	8 x G 1/2 inch	16	170	60	45



## Distributor bars, double-sided, PN 16

Reference	Material	Nominal inner diameter connection G1	Nominal inner diameter connection G2	Max pressure (bar)	Number of inlets	Number of outlets
FL2-F-A-018G-M5-4MD	Aluminium	G 1/8 inch	M5	16	2	4
FL2-F-A-014G-018G-4MD	Aluminium	G 1/4 inch	G 1/8 inch	16	2	4
FL2-F-A-038G-018G-4MD	Aluminium	G 3/8 inch	G 1/8 inch	16	2	4
FL2-F-A-038G-014G-4MD	Aluminium	G 3/8 inch	G 1/4 inch	16	2	4
FL2-F-A-012G-014G-4MD	Aluminium	G 1/2 inch	G 1/4 inch	16	2	4
FL2-F-A-018G-M5-6MD	Aluminium	G 1/8 inch	M5	16	2	6
FL2-F-A-014G-018G-6MD	Aluminium	G 1/4 inch	G 1/8 inch	16	2	6
FL2-F-A-038G-018G-6MD	Aluminium	G 3/8 inch	G 1/8 inch	16	2	6
FL2-F-A-038G-014G-6MD	Aluminium	G 3/8 inch	G 1/4 inch	16	2	6
FL2-F-A-012G-014G-6MD	Aluminium	G 1/2 inch	G 1/4 inch	16	2	6
FL2-F-A-018G-M5-8MD	Aluminium	G 1/8 inch	M5	16	2	8
FL2-F-A-014G-018G-8MD	Aluminium	G 1/4 inch	G 1/8 inch	16	2	8
FL2-F-A-038G-018G-8MD	Aluminium	G 3/8 inch	G 1/8 inch	16	2	8
FL2-F-A-038G-014G-8MD	Aluminium	G 3/8 inch	G 1/4 inch	16	2	8
FL2-F-A-012G-014G-8MD	Aluminium	G 1/2 inch	G 1/4 inch	16	2	8
FL2-F-A-018G-M5-12MD	Aluminium	G 1/8 inch	M5	16	2	12
FL2-F-A-014G-018G-12MD	Aluminium	G 1/4 inch	G 1/8 inch	16	2	12
FL2-F-A-038G-018G-12MD	Aluminium	G 3/8 inch	G 1/8 inch	16	2	12
FL2-F-A-038G-014G-12MD	Aluminium	G 3/8 inch	G 1/4 inch	16	2	12
FL2-F-A-012G-014G-12MD	Aluminium	G 1/2 inch	G 1/4 inch	16	2	12



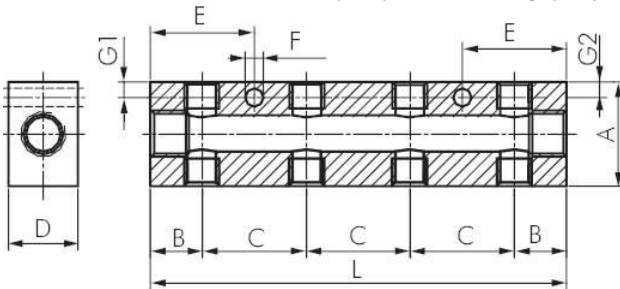
Reference	L (mm)	A (mm)	B (mm)	C (mm)	D (mm)	E (mm)	F (mm)	G1 (mm)	G2 (mm)
FL2-F-A-018G-M5-4MD	45	20	15	15	15	22.5	4.2	3.5	16.5
FL2-F-A-014G-018G-4MD	60	30	15	30	20	30	5.2	4.5	25.5
FL2-F-A-038G-018G-4MD	66	40	18	30	20	33	5.2	4.5	33.5
FL2-F-A-038G-014G-4MD	72	40	18	36	20	36	6.5	6	34
FL2-F-A-012G-014G-4MD	80	40	22	36	28	40	6.5	5.8	34.2
FL2-F-A-018G-M5-6MD	60	20	15	15	15	22.5	4.2	3.5	3.5
FL2-F-A-014G-018G-6MD	90	30	15	30	20	30	5.2	4.5	4.5
FL2-F-A-038G-018G-6MD	96	40	18	30	20	33	5.2	4.5	4.5
FL2-F-A-038G-014G-6MD	108	40	18	36	20	36	6.5	6	6
FL2-F-A-012G-014G-6MD	116	40	22	36	28	40	6.5	5.8	5.8
FL2-F-A-018G-M5-8MD	75	20	15	15	15	22.5	4.2	3.5	3.5
FL2-F-A-014G-018G-8MD	120	30	15	30	20	30	5.2	4.5	4.5
FL2-F-A-038G-018G-8MD	126	40	18	30	20	33	5.2	4.5	4.5
FL2-F-A-038G-014G-8MD	144	40	18	36	20	36	6.5	6	6
FL2-F-A-012G-014G-8MD	152	40	22	36	28	40	6.5	5.8	5.8
FL2-F-A-018G-M5-12MD	105	20	15	15	15	22.5	4.2	3.5	3.5
FL2-F-A-014G-018G-12MD	180	30	15	30	20	30	5.2	4.5	4.5
FL2-F-A-038G-018G-12MD	186	40	18	30	20	33	5.2	4.5	4.5
FL2-F-A-038G-014G-12MD	216	40	18	36	20	36	6.5	6	6
FL2-F-A-012G-014G-12MD	224	40	22	36	28	40	6.5	5.8	5.8

\* Mounting holes arranged directly opposite each other



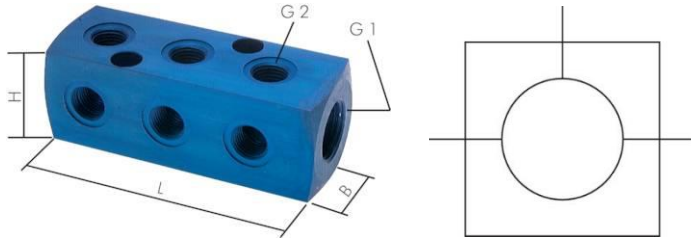
## Distributor bars, one-sided, PN 16

Reference	Material	Nominal inner diameter connection G1	Nominal inner diameter connection G2	Max pressure (bar)	Number of inlets	Number of outlets
FL2-F-A-018G-M5-2MS	Aluminium	G 1/8 inch	M5	16	2	2
FL2-F-A-014G-018G-2MS	Aluminium	G 1/4 inch	G 1/8 inch	16	2	2
FL2-F-A-038G-018G-2MS	Aluminium	G 3/8 inch	G 1/8 inch	16	2	2
FL2-F-A-038G-014G-2MS	Aluminium	G 3/8 inch	G 1/4 inch	16	2	2
FL2-F-A-012G-014G-2MS	Aluminium	G 1/2 inch	G 1/4 inch	16	2	2
FL2-F-A-018G-M5-3MS	Aluminium	G 1/8 inch	M5	16	2	3
FL2-F-A-014G-018G-3MS	Aluminium	G 1/4 inch	G 1/8 inch	16	2	3
FL2-F-A-038G-018G-3MS	Aluminium	G 3/8 inch	G 1/8 inch	16	2	3
FL2-F-A-038G-014G-3MS	Aluminium	G 3/8 inch	G 1/4 inch	16	2	3
FL2-F-A-012G-014G-3MS	Aluminium	G 1/2 inch	G 1/4 inch	16	2	3
FL2-F-A-018G-M5-4MS	Aluminium	G 1/8 inch	M5	16	2	4
FL2-F-A-014G-018G-4MS	Aluminium	G 1/4 inch	G 1/8 inch	16	2	4
FL2-F-A-038G-018G-4MS	Aluminium	G 3/8 inch	G 1/8 inch	16	2	4
FL2-F-A-038G-014G-4MS	Aluminium	G 3/8 inch	G 1/4 inch	16	2	4
FL2-F-A-012G-014G-4MS	Aluminium	G 1/2 inch	G 1/4 inch	16	2	4
FL2-F-A-018G-M5-6MS	Aluminium	G 1/8 inch	M5	16	2	6
FL2-F-A-014G-018G-6MS	Aluminium	G 1/4 inch	G 1/8 inch	16	2	6
FL2-F-A-038G-018G-6MS	Aluminium	G 3/8 inch	G 1/8 inch	16	2	6
FL2-F-A-038G-014G-6MS	Aluminium	G 3/8 inch	G 1/4 inch	16	2	6
FL2-F-A-012G-014G-6MS	Aluminium	G 1/2 inch	G 1/4 inch	16	2	6



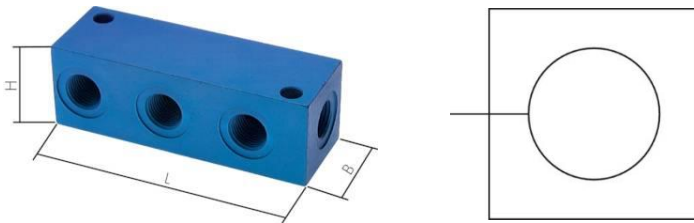
Reference	L (mm)	A (mm)	B (mm)	C (mm)	D (mm)	E (mm)	F (mm)	G1 (mm)	G2 (mm)
FL2-F-A-018G-M5-2MS	45	20	15	15	15	22.5	4.2	3.5	16.5
FL2-F-A-014G-018G-2MS	60	30	15	30	20	30	5.2	4.5	25.5
FL2-F-A-038G-018G-2MS	66	40	18	30	20	33	5.2	4.5	33.5
FL2-F-A-038G-014G-2MS	72	40	18	36	20	36	6.5	6	34
FL2-F-A-012G-014G-2MS	80	40	22	36	28	40	6.5	5.8	34.2
FL2-F-A-018G-M5-3MS	60	20	15	15	15	22.5	4.2	3.5	3.5
FL2-F-A-014G-018G-3MS	90	30	15	30	20	30	5.2	4.5	4.5
FL2-F-A-038G-018G-3MS	96	30	18	30	20	33	5.2	22.5	22.5
FL2-F-A-038G-014G-3MS	108	30	18	36	20	36	6.5	24	24
FL2-F-A-012G-014G-3MS	116	40	22	36	28	40	6.5	34.2	34.2
FL2-F-A-018G-M5-4MS	75	20	15	15	15	22.5	4.2	3.5	3.5
FL2-F-A-014G-018G-4MS	120	30	15	30	20	30	5.2	4.5	4.5
FL2-F-A-038G-018G-4MS	126	30	18	30	20	33	5.2	22.5	22.5
FL2-F-A-038G-014G-4MS	144	30	18	36	20	36	6.5	24	24
FL2-F-A-012G-014G-4MS	152	40	22	36	28	40	6.5	34.2	34.2
FL2-F-A-018G-M5-6MS	105	20	15	15	15	22.5	4.2	3.5	3.5
FL2-F-A-014G-018G-6MS	180	30	15	30	20	30	5.2	4.5	4.5
FL2-F-A-038G-018G-6MS	186	30	18	30	20	33	5.2	22.5	22.5
FL2-F-A-038G-014G-6MS	216	30	18	36	20	36	6.5	24	24
FL2-F-A-012G-014G-6MS	224	40	22	36	28	40	6.5	34.2	34.2

\* Mounting holes arranged opposite to each other, \*\* Mounting holes arranged on the output side



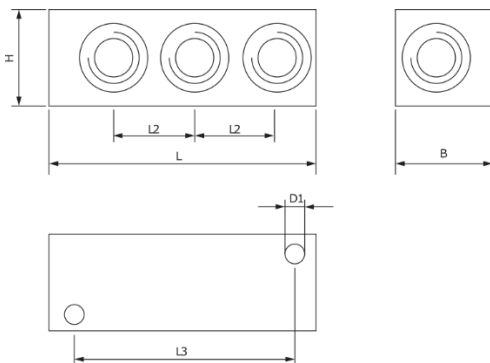
## Distributor blocks 9/12-way - M3 to G 1/2", PN 16

Reference	Material	Nominal inner diameter connection G1	Nominal inner diameter connection G2	Max pressure (bar)	L (mm)	B (mm)	H (mm)
FL2-F-A-018G-M3-9M	Aluminium	1 x G 1/8 inch	9 x M3	16	45	18	18
FL2-F-A-018G-M5-9M	Aluminium	1 x G 1/8 inch	9 x M5	16	50	20	20
FL2-F-A-038G-018G-9M	Aluminium	1 x G 3/8 inch	9 x G 1/8 inch	16	80	30	30
FL2-F-A-012G-014G-9M	Aluminium	1 x G 1/2 inch	9 x G 1/4 inch	16	100	35	35
FL2-F-A-034G-012G-9M	Aluminium	1 x G 3/4 inch	9 x G 1/2 inch	16	135	50	50



## Distributor bars 4-way - M5 to G 1/2", PN 16

Reference	Material	Nominal inner diameter connection	Max pressure (bar)
FL4X-F-A-M5	Aluminium	4 x M5	16
FL4X-F-A-018G	Aluminium	4 x G 1/8 inch	16
FL4X-F-A-014G	Aluminium	4 x G 1/4 inch	16
FL4X-F-A-038G	Aluminium	4 x G 3/8 inch	16
FL4X-F-A-012G	Aluminium	4 x G 1/2 inch	16
FL4X-F-A-034G	Aluminium	4 x G 3/4 inch	16



Reference	L (mm)	B (mm)	H (mm)
FL4X-F-A-M5	40	15	15
FL4X-F-A-018G	56	20	20
FL4X-F-A-014G	89	30	30
FL4X-F-A-038G	85	40	30
FL4X-F-A-012G	105	40	30
FL4X-F-A-034G	140	50	50