

ÓT ÚT
ÓT Ú

Description: PVC ball valve socket ends
Description: PVC ball valve threaded ends

UPDATE 3: 13.01.2015 - Pag. 1/2

Technical data sheet

■ APPLICATIONS:

Ball valves are used in to fully open and close the fluid passage.

■ USE:

Facilities cold water, chemicals, swimming pool.

■ TECHNICAL LIMITS:

Temperatura range: -10° a 60°C .
Max. Working Pressure: 10 / 16 bar

■ FEATURES:

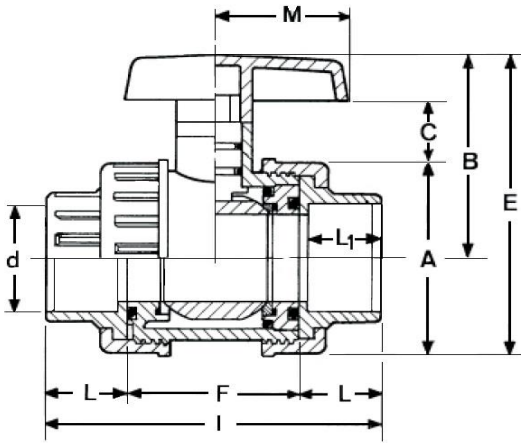
Art. N^o ÓT ÚT KSocket ends.
Art. N^o ÓT ÚKBSP Threads.

■ INSTALLATION:

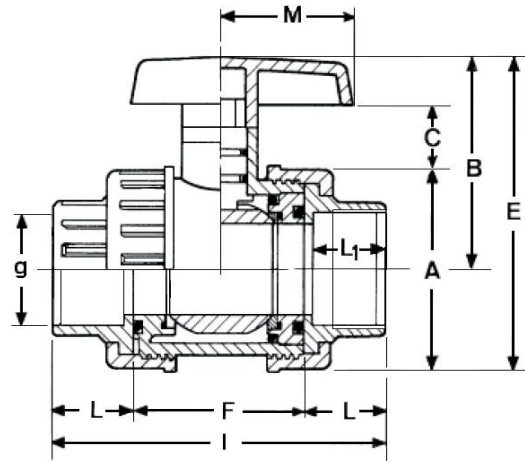
Ball valves can be installed vertically or horizontally. Check for leaks in the joints before commissioning the installation. Follow local regulations.



To avoid abnormal operation, accidents or serious injury,
DO NOT use this product outside of the specification range.
Local regulations may regulate the use of this product.



Art. N°: " U hU



Art. N°: " U h

		"U hU	"U h										
C		g	d	PN (bar)	A	B	E	F	I	L	L1	M	Weight
" U hU	" U h	3/4	25	16	65	65	92	54	111	28	20	45	280
" U hU 32	" U h	1	32	16	65	65	92	54	111	28	20	45	280
" U hU 40	" U h	1 1/4	40	16	90	93	131	74	148	36	23	62	644
" U hU 50	" U h	1 1/2	50	16	90	93	131	74	148	36	23	62	635
" U hU 63	" U h	2	63	1	111	111	155	86	168	44	27	62	1100
" U hU 75	" U h	2 1/2	75	10	168	184	221	140	238	47	43	84	3130
" U hU 90	" U h	3	90	10	168	184	221	140	242	55	51	84	3200

All dimensions in millimeters