

AISI TRE VIE FFF - IVR 144 L - IVR 145 T



Valvola a sfera a tre vie a passaggio ridotto in acciaio inox AISI 316. Sfera forata a "L" (IVR 144 L) o "T" (IVR 145 T). Attacchi filettati gas F/F/F. Flangetta ISO 5211.

AISI 316 stainless steel three ways reduced bore ball valve available as either "L" (IVR 144 L) or "T" (IVR 145 T) port. Threaded ends F/F/F. ISO 5211 top for actuator.

Vanne à sphère à trois voies à passage réduit en acier inox AISI 316. Taraudage pas gaz F/F/F. Platine ISO 5211

DreiwegeKugelhahn mit reduziertem Durchgang aus Edelmetall AISI316. Anschlussgewinde I/I/I. Flansch ISO 5211.

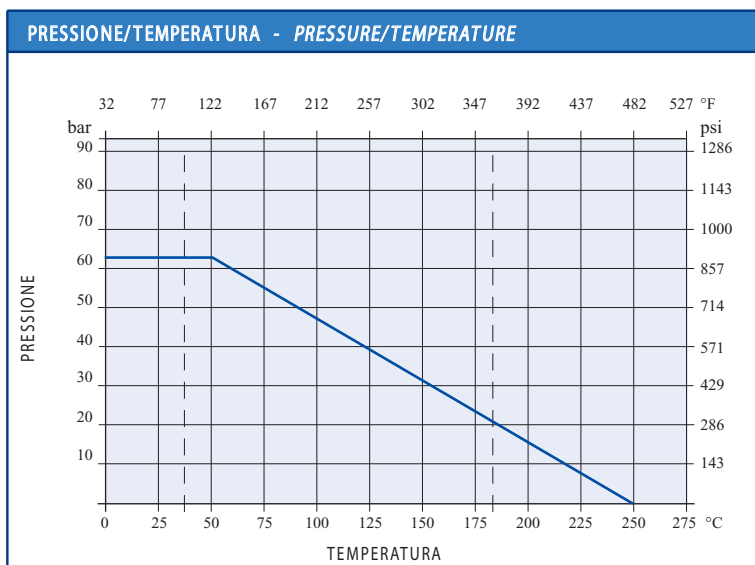
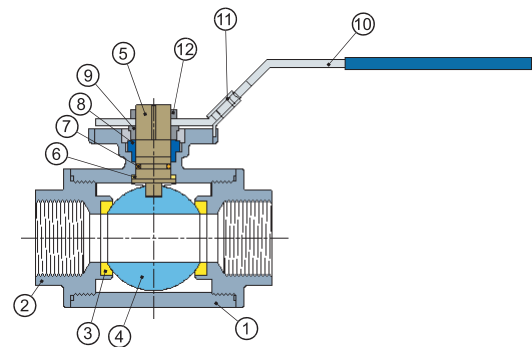


IMPIEGHI: Le valvole a sfera serie IVR 144 L/IVR 145 T sono adatte per impianti industriali, chimici ed alimentari.

APPLICATIONS: The IVR 144 L/IVR 145 T series are suitable for use in industrial, chemical and food plants.



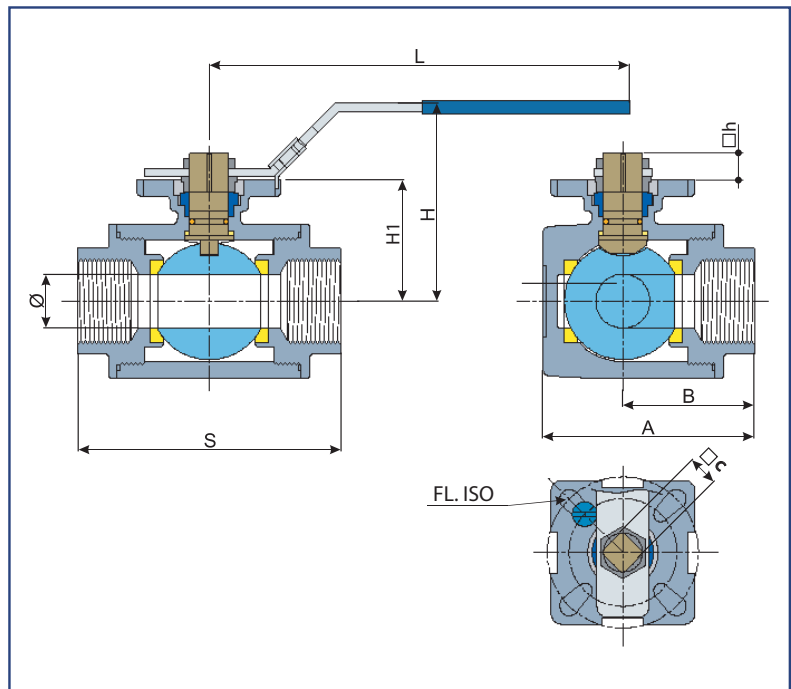
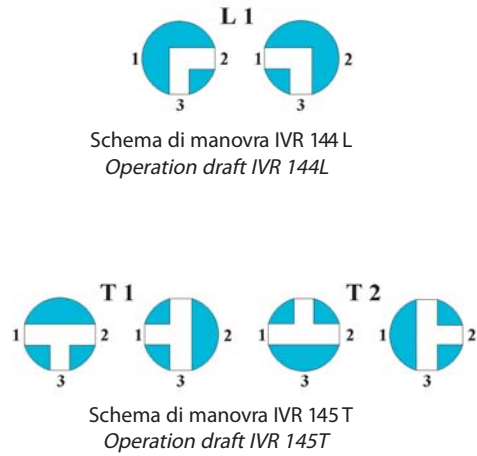
N. N.	DENOMINAZIONE PART NAME	MATERIALE MATERIAL	TRATTAMENTO TREATMENT
1	Corpo - Body	AISI 316	
2	Manicotto - Body end	AISI 316	
3	Seggio - Seat	PPL	
4	Sfera - Ball	AISI 316	
5	Asta - Stem	AISI 316	
6	Rondella - Washer	PPL	
7	O-ring	FP	
8	Guarn. asta - Stem seat	PPL	
9	Premistoppa - Packing nut	AISI 304	
10	Maniglia - Handle	AISI 304	Rivest. PVC - Plastic coated
11	Bloccaggio - Locking	AISI 304	
12	Dado - Nut	AISI 304	



DATI TECNICI - TECHNICAL DATA

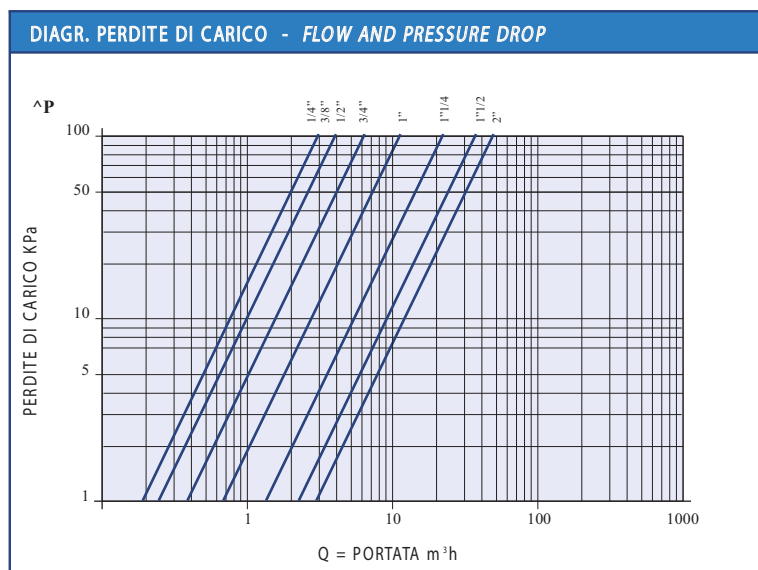
Pressione di esercizio Working pressure	63 bar
Temperatura di esercizio Working temperature	-50°C + 250°C
Filettatura estremità Threaded ends	UNI ISO 228/1

AI SITRE VIE FFF - IVR 144 L - IVR 145 T



Ø	9.5	11	12	15	20	25	32	40
S	75	75	75	85	100	122	131	158
A	57.5	57.5	57.5	65.5	79	97	106.5	129
B	37.5	37.5	37.5	42.5	50	61	65.5	79
H	66	66	66	72	77	92	96	107
H1	36.8	36.8	36.8	41.2	46.5	56	60	70.5
L	130	130	130	161	161	203	203	203
FLISO	F03/04	F03/04	F03/04	F04/05	F04/05	F05/07	F05/07	F05/07
□c	9	9	9	11	11	14	14	14
□h	8.5	8.5	8.5	11	12	13.5	13.5	13

Dimensioni in mm - Dimensions in mm



COEFFICIENTE KV - KV FACTOR

1/4" - 9.5	3
3/8" - 11	3
1/2" - 12	4
3/4" - 15	6
1" - 20	12
1 1/4" - 25	21
1 1/2" - 32	35
2" - 40	47