

Stainless steel thermowell

Stainless steel thermowell with G 1/2" external thread and integrated compression fitting for ease of installation for immersion and cable temperature sensors 01DT.., 22DT.., 01CT.., 22CT..



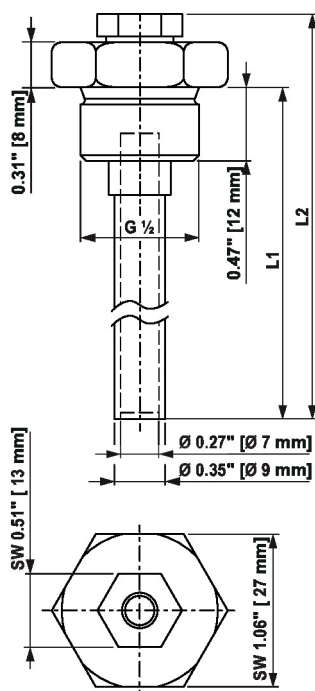
Type Overview

Type	Thermowell length	Thermowell diameter	Max. flow velocity	Weight
A-22P-A06	50 mm	9 mm	29.5 m/s	0.065 kg
A-22P-A08	100 mm	9 mm	13.6 m/s	0.075 kg
A-22P-A10	150 mm	9 mm	8.7 m/s	0.085 kg
A-22P-A12	200 mm	9 mm	5.4 m/s	0.095 kg
A-22P-A29	250 mm	9 mm	4.5 m/s	0.10 kg
A-22P-A14	300 mm	9 mm	2.4 m/s	0.11 kg
A-22P-A16	450 mm	9 mm	1.0 m/s	0.14 kg

Technical data

Functional data	Application	Water Water-glycol mixture
	PN	40
Materials	Probe material	Stainless steel
	Thermowell material	Turned part: V4A (1.4404) Pipe: V4A (1.4571) Pressure screw: Polyamide (PA66/GF25)
Safety data	Quality Standard	ISO 9001
	Fluid temperature	Up to max. 200°C

Dimensions



Typ	L1	L2
A-22P-A06	1.41" [36 mm]	1.93" [49 mm]
A-22P-A08	3.38" [86 mm]	3.90" [99 mm]
A-22P-A10	5.35" [136 mm]	5.87" [149 mm]
A-22P-A12	7.32" [186 mm]	7.83" [199 mm]
A-22P-A29	9.29" [236 mm]	9.80" [249 mm]
A-22P-A14	11.26" [286 mm]	11.77" [299 mm]
A-22P-A16	17.16" [436 mm]	17.68" [449 mm]