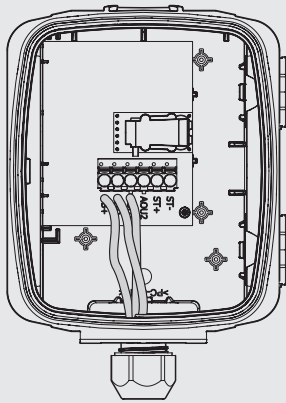
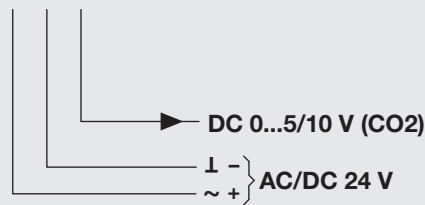
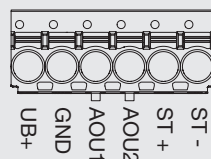


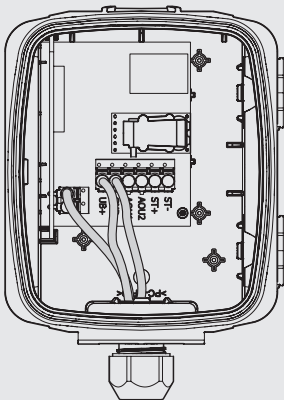
**22DC-11 / 22DC-51**



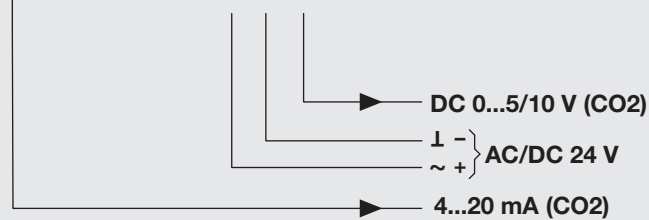
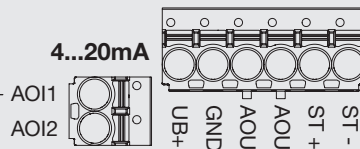
**DC 0...5/10 V**



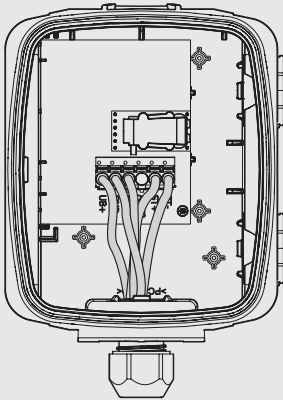
**22DC-13 / 22DC-53**



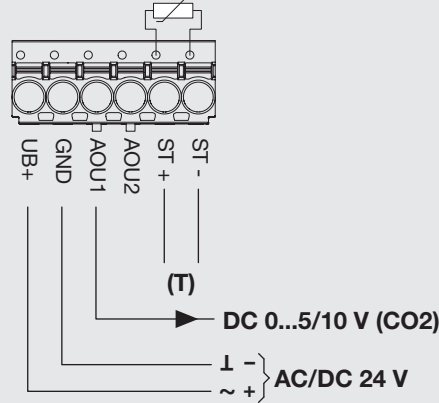
**4...20mA**



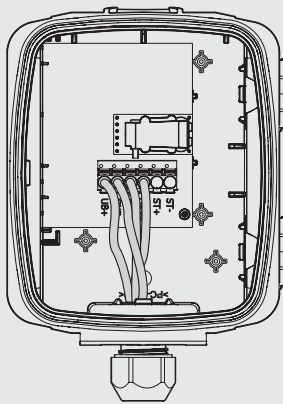
22DC-110.. / 22DC-510..



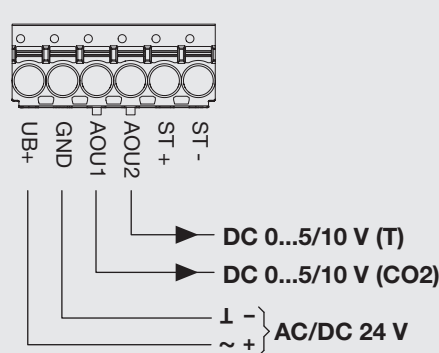
DC 0...5/10 V + ST



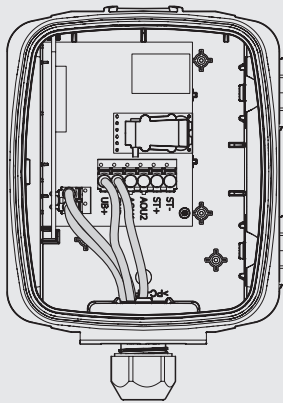
22DTC-11 / 22DTC-51



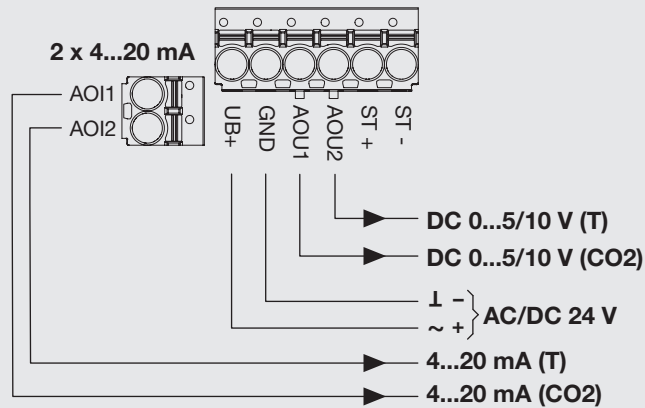
2 x DC 0...5/10 V



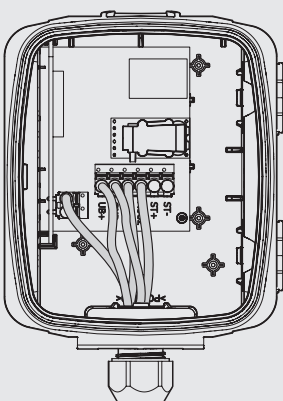
22DTC-13 / 22DTC-53



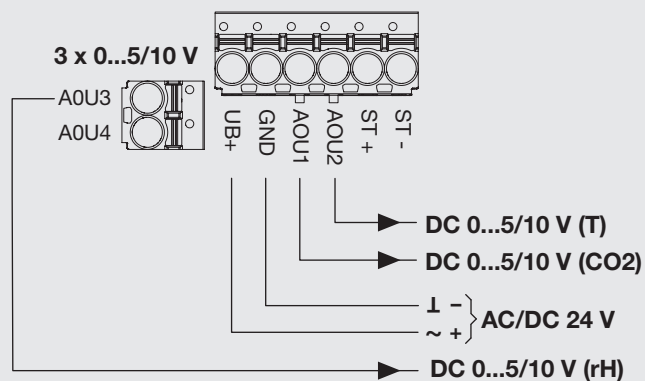
2 x 4...20 mA



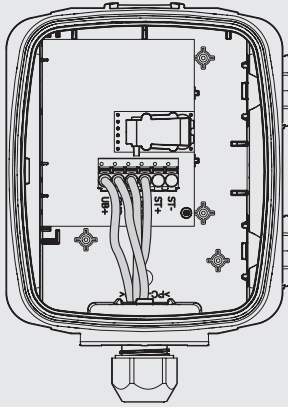
22DTM-11.. / 22DTM-51..



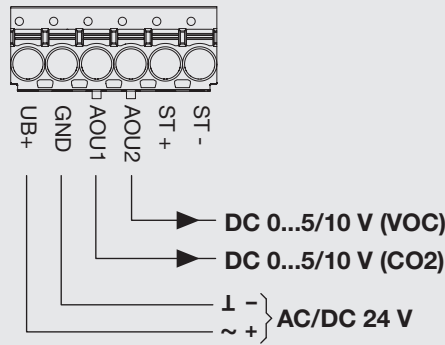
3 x 0...5/10 V



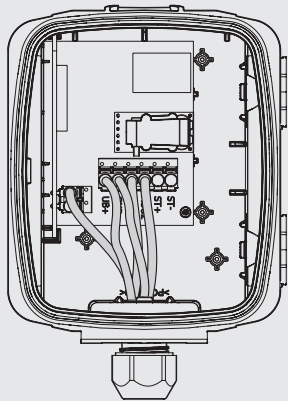
**22DCV-11 / 22DCV-51**



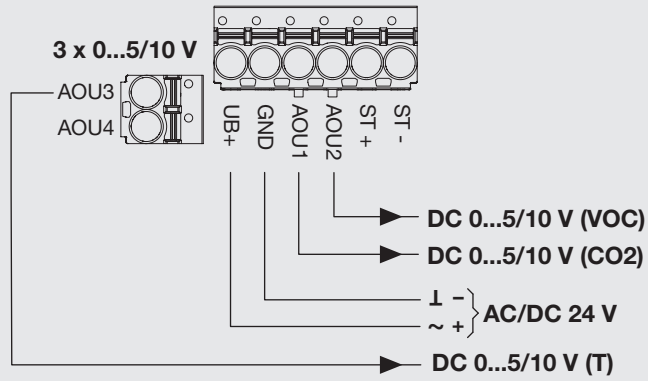
**2 x DC 0...5/10 V**



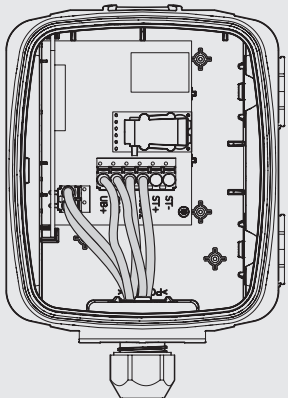
**22DCM-11 / 22DCM-51**



**3 x 0...5/10 V**



**22DCK-11 / 22DCK-51**



**4 x 0...5/10 V**

