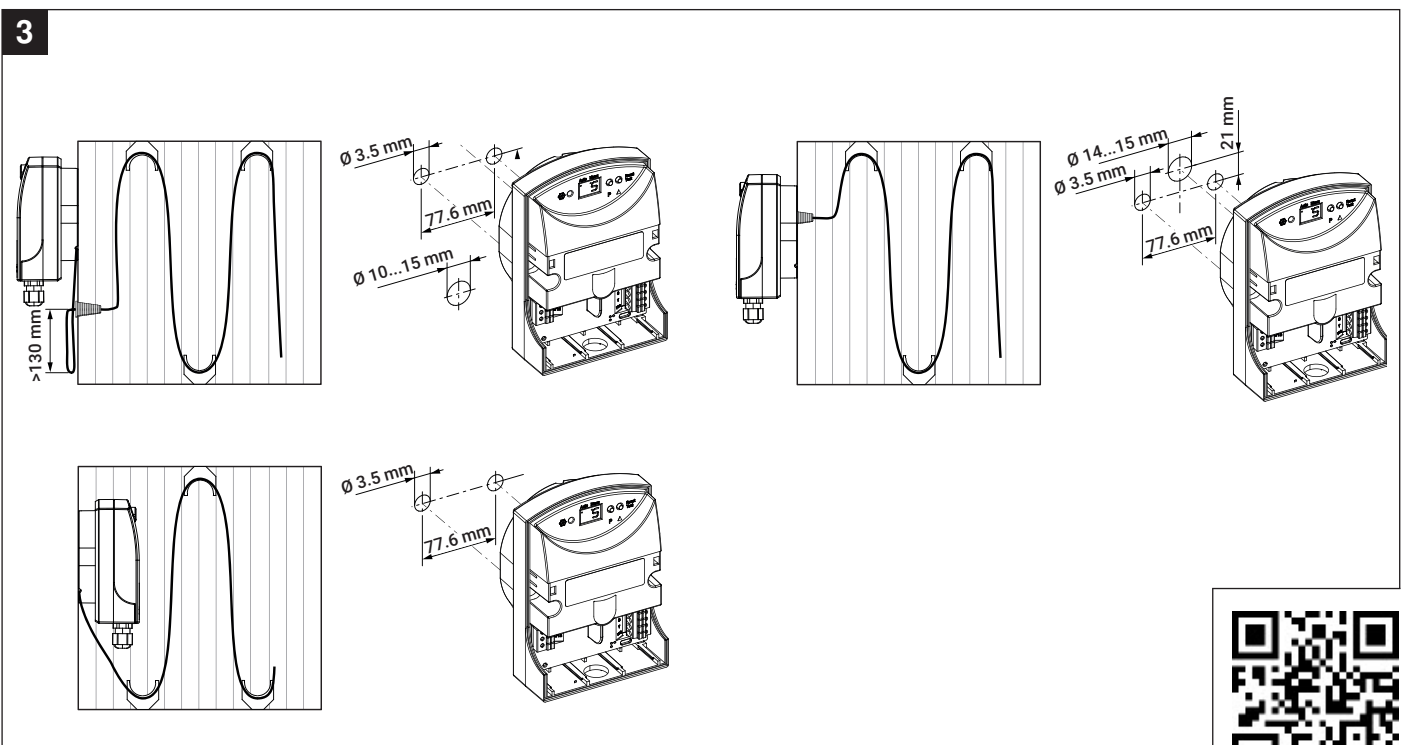
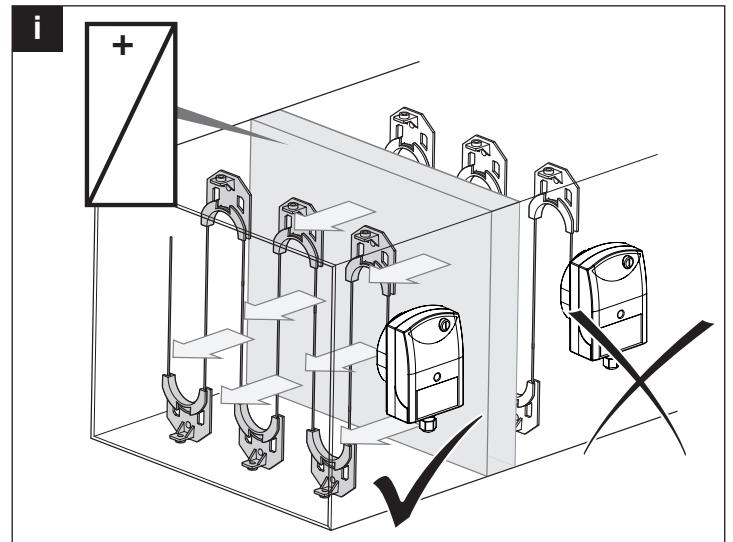
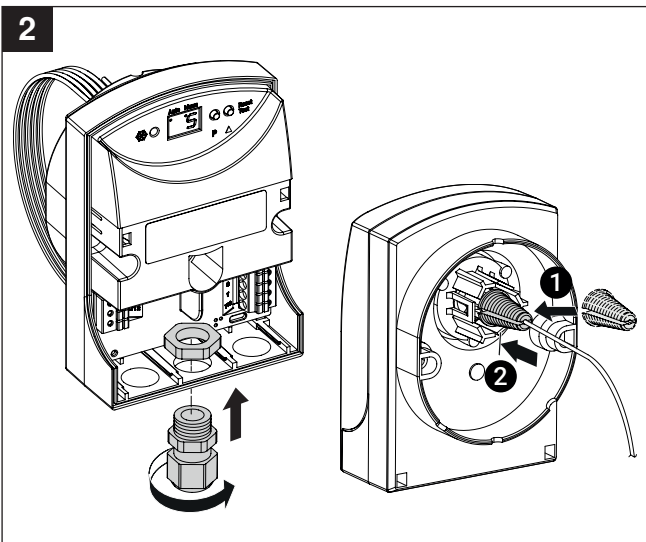
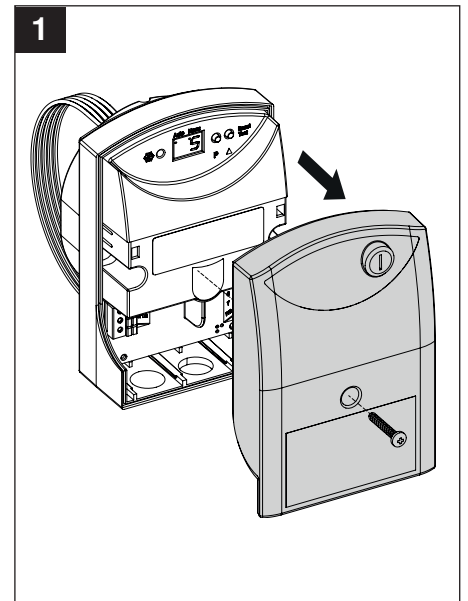
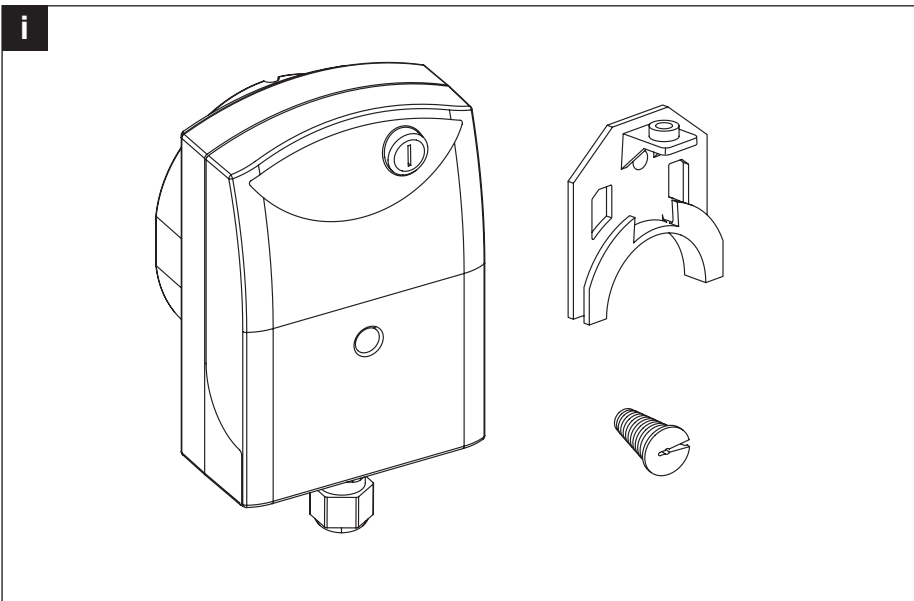
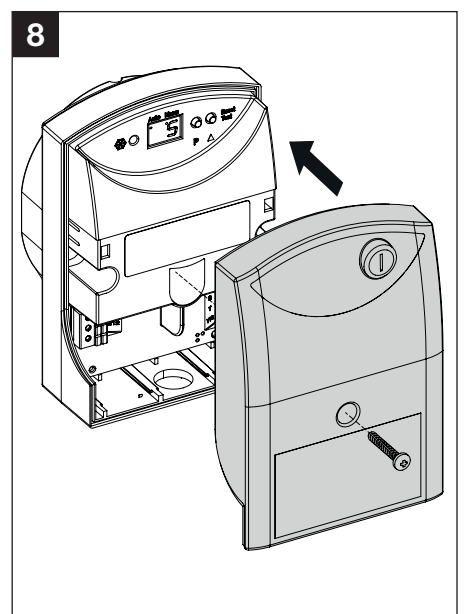
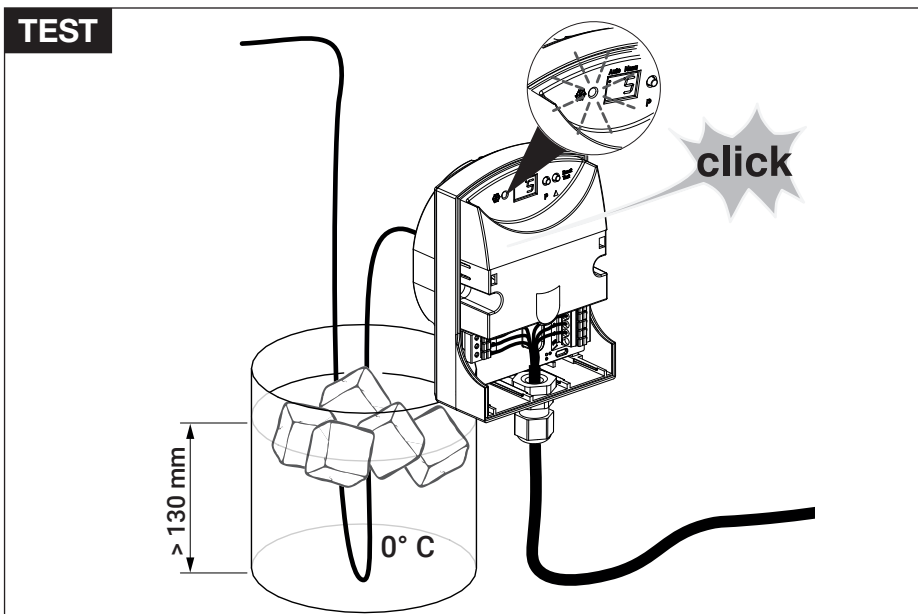
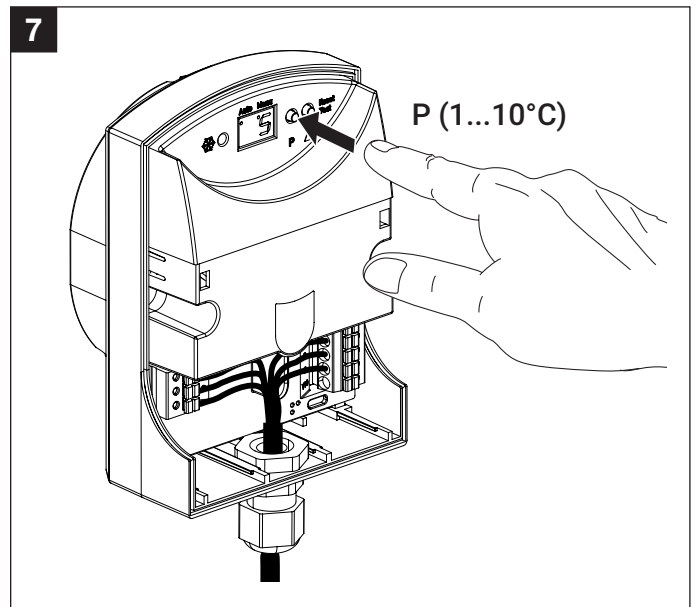
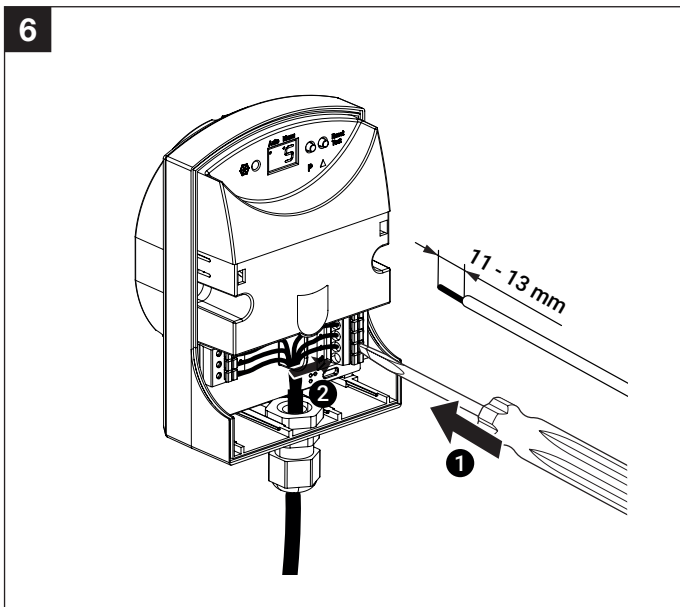
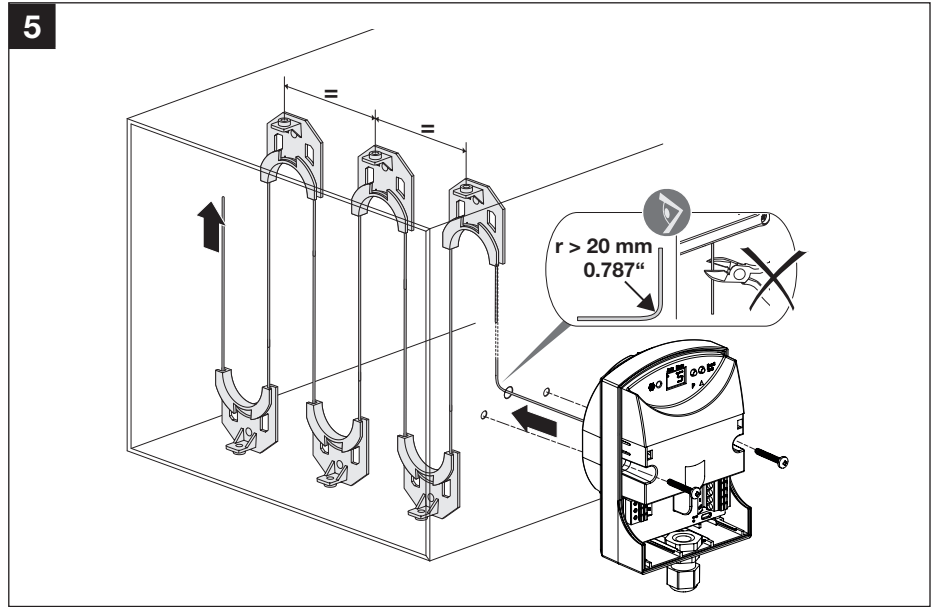
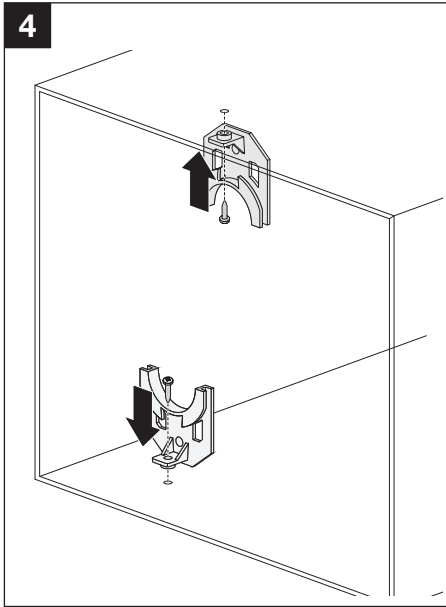
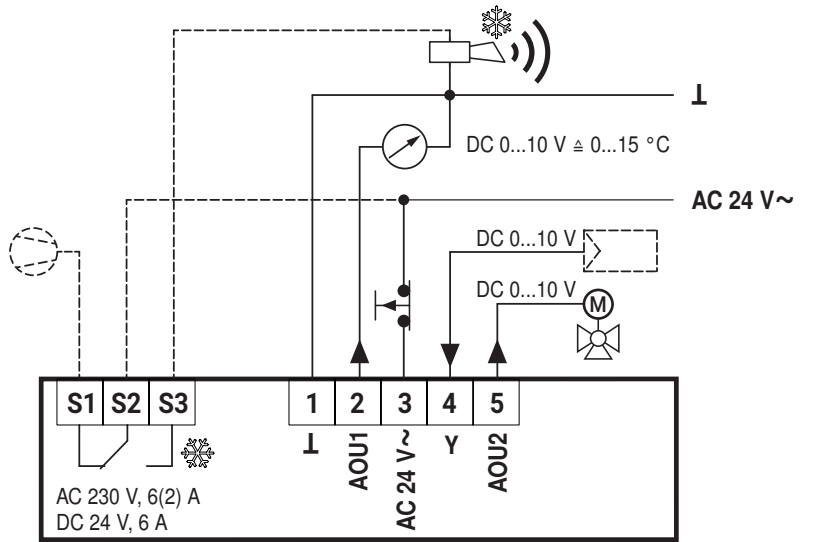
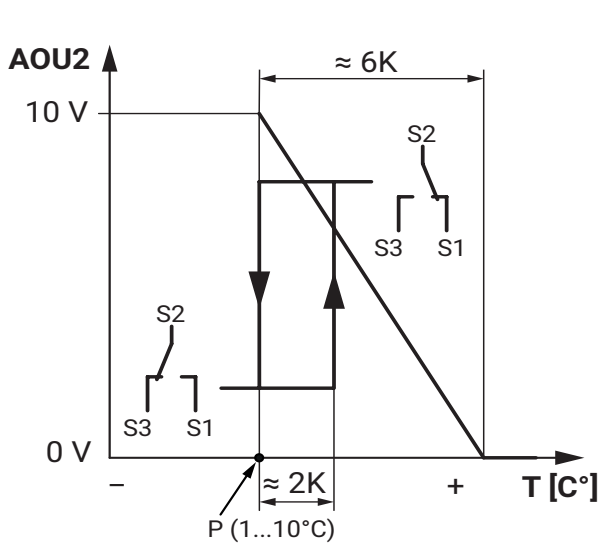


70988-00001.C



[www.belimo.com/safety](http://www.belimo.com/safety)





**i A-22D-A12**

