

Contact temperature sensor

Surface contact temperature sensor for pipe applications. Spring loaded brass contact pin to ensure fast response and accurate reading.


Type Overview

Type	Output signal passive temperature
01HT-1A	Pt100
01HT-1B	Pt1000
01HT-1C	Ni1000
01HT-1D	Ni1000TK5000
01HT-1F	NTC1k8
01HT-1L	NTC10k (10k2)
01HT-1Q	NTC20k

Technical data

Electrical data	Electrical connection	Pluggable spring loaded terminal block max. 2.5 mm ²
	Cable entry	Cable gland with strain relief \varnothing 6...8 mm
Functional data	Application	Water
	Output signal passive temperature	Pt100 Pt1000 Ni1000 Ni1000TK5000 NTC1k8 NTC10k (10k2) NTC20k
Measuring data	Measured values	Temperature
	Measuring range temperature	-35...90°C [-30...195°F]
	Accuracy temperature passive	Passive sensors depending on used type Pt.. : Class B, $\pm 0.3^{\circ}\text{C}$ @ 0°C [$\pm 0.5^{\circ}\text{F}$ @ 32°F] Ni.. : $\pm 0.4^{\circ}\text{C}$ @ 0°C [$\pm 0.7^{\circ}\text{F}$ @ 32°F] NTC1k8 : $\pm 0.5^{\circ}\text{C}$ @ 25°C [$\pm 0.9^{\circ}\text{F}$ @ 77°F] NTC.. : $\pm 0.2^{\circ}\text{C}$ @ 25°C [$\pm 0.35^{\circ}\text{F}$ @ 77°F]
	Measuring current	Pt100: <1 mA @ 0°C [32°F] Pt1000: <0.3 mA @ 0°C [32°F] Ni1000: <0.3 mA @ 0°C [32°F] Ni1000TK5000: <0.3 mA @ 0°C [32°F] NTC1k8: <0.1 mA @ 25°C [77°F] NTC10k (10k2): <2 mA @ 25°C [77°F] NTC20k: <0.5 mA @ 25°C [77°F]
	Time constant τ (63%) on water pipe	With thermal contact fluid Typical 16 s
Materials	Cable gland	PA6, black

Materials	Housing	Cover: PC, orange Bottom: PC, orange Seal: NBR70, black UV resistant
	<hr/>	
Safety data	Protection class IEC/EN	III, Protective Extra-Low Voltage (PELV)
	Power source UL	Class 2 Supply
	Degree of protection IEC/EN	IP54
	Degree of protection NEMA/UL	NEMA 1
	Enclosure	UL Enclosure Type 1
	EU Conformity	CE Marking
	Certification IEC/EN	IEC/EN 60730-1
	Quality Standard	ISO 9001
	UL Approval	cULus acc. to UL60730-1A/-2-9, CAN/CSA E60730-1/-2-9
	<hr/>	
	Type of action	Type 1
	Rated impulse voltage supply	0.8 kV
	Installation method	Independently mounted control
	Method of mounting control	Surface mounted
	Pollution degree	2
	Ambient humidity	Max. 95% RH, non-condensing
Ambient temperature	-35...50°C [-30...122°F]	
Fluid temperature	-35...90°C [-30...195°F]	
Housing surface temperature	Max. 90°C [195°F]	

Safety notes


This device has been designed for use in stationary heating, ventilation and air-conditioning systems and must not be used outside the specified field of application. Unauthorised modifications are prohibited. The product must not be used in relation with any equipment that in case of a failure may threaten humans, animals or assets.

Ensure all power is disconnected before installing. Do not connect to live/operating equipment.

Only authorised specialists may carry out installation. All applicable legal or institutional installation regulations must be complied during installation.

The device contains electrical and electronic components and must not be disposed of as household refuse. All locally valid regulations and requirements must be observed.

Remarks

- General remarks concerning sensors** Due to self-heating with 2 wire passive sensors, the supply wire current affects the measurement accuracy. So the supply current should not be higher than the measuring current values specified in this data sheet.
- When using lengthy connecting cables (depending on the cross section used), the cable resistance must be taken into account. The lower the impedance of the sensor used, the greater the effect of the line resistance on the measurement, because it generates an offset.

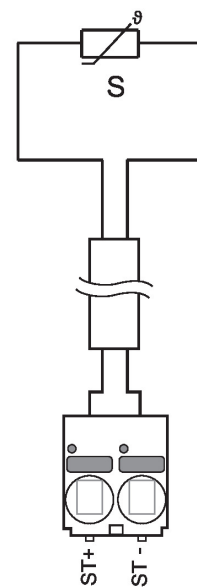
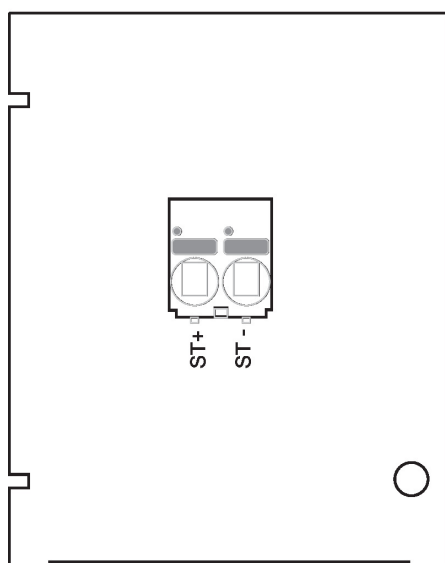
Parts included

Parts included	Description	Type
	Fixing strap, for pipes \varnothing 20...110 mm [0.8...4.3"]	A-22P-A47

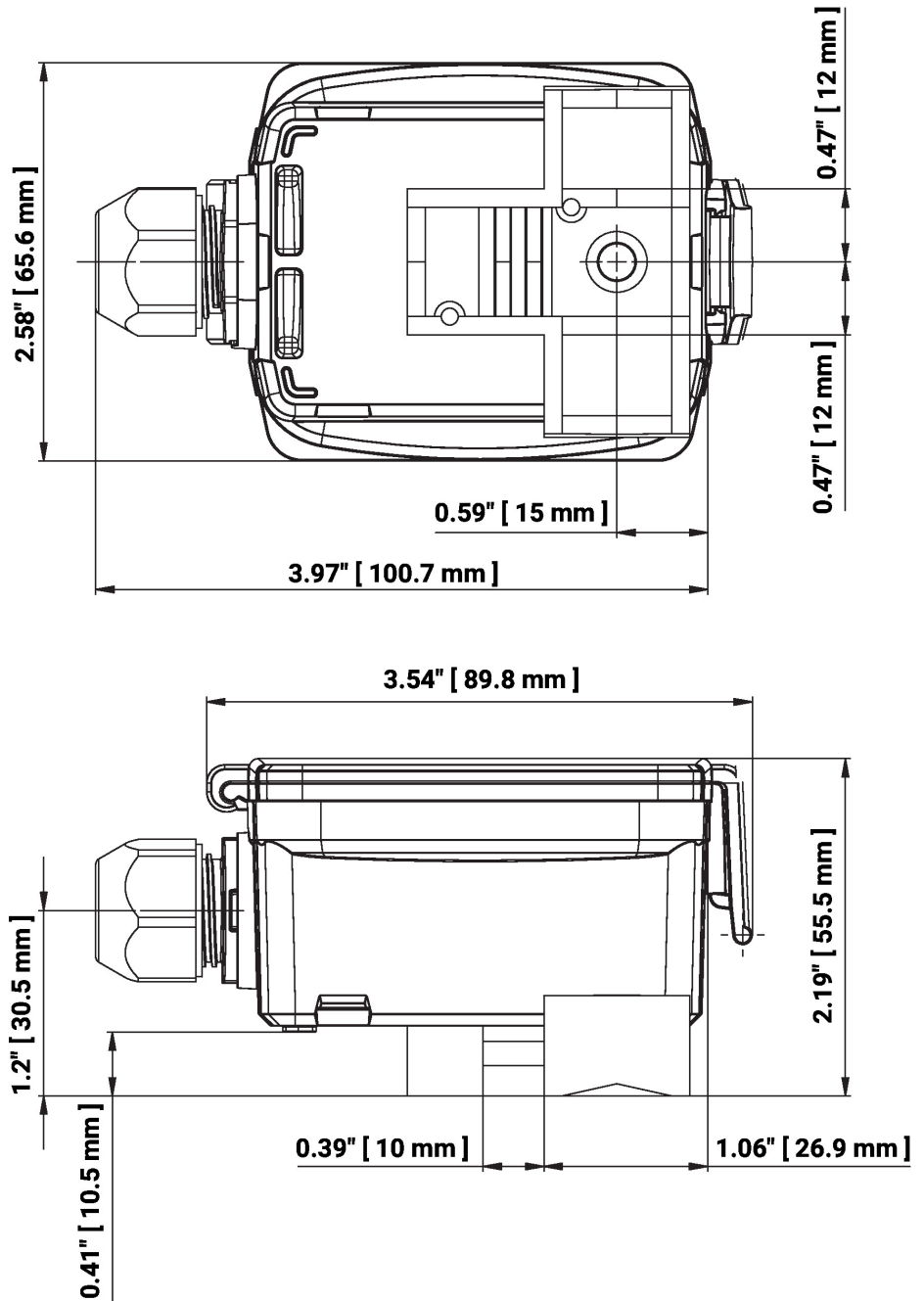
Accessories

Optional accessories	Description	Type
	Fixing strap, for pipes \varnothing 20...250 mm [0.8...9.8"]	A-22P-A49
	Syringe with thermal paste	A-22P-A44
	Connection adapter flex conduit, M20x1.5, for cable gland 1 x 6 mm, Multipack 10 pcs.	A-22G-A01.1

Wiring diagram



Dimensions



Type	Weight
01HT-1A	0.15 kg
01HT-1B	0.15 kg
01HT-1C	0.15 kg
01HT-1D	0.15 kg
01HT-1F	0.15 kg
01HT-1L	0.15 kg
01HT-1Q	0.15 kg

Further documentation

- Installation instructions
- Resistance characteristics