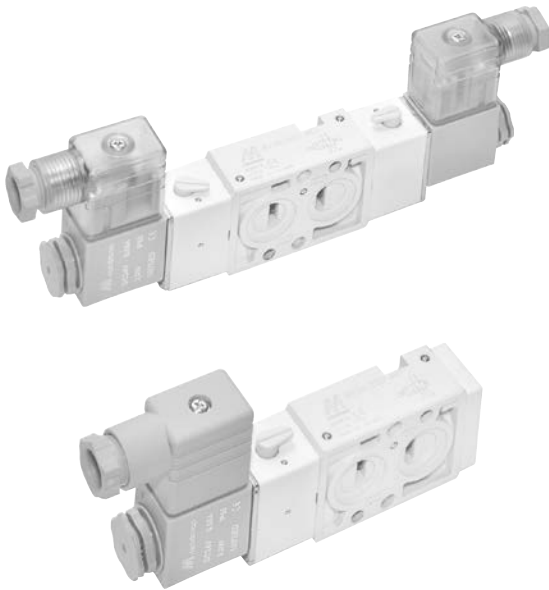


# MVSN-220 series

## NAMUR SOLENOID VALVE



mindman



### Specification

Model	4E1	4E2
Bore No.	6A, 8A	
Port size	G1/8, G1/4	
No. of port	5	
No. of position	2	
Medium	Air	
Operating pressure range	0.2~0.8 MPa	
Proof pressure	1 MPa	
Effective orifice	18 mm <sup>2</sup>	
Response time	38 ms	
Ambient temperature	-5~+50°C (No freezing)	
Voltage	AC110V, 220V (50/60)Hz, AC/DC24V	
Power consumption	AC=4.8/4.4VA, 6/4.9VA, DC=2W	
Available voltage range	±10%	
Insulation class	F class	
Weight (Explosion-proof)	233 g (441 g)	343 g (761 g)

### Order example of valve

MVSN - 220 - 4E2 - 8A - AC110 - L

MODEL

BODY WIDTH

BORE SIZE

6A: G1/8  
8A: G1/4

VOLTAGE

AC220V(50/60)Hz  
AC110V(50/60)Hz  
DC24V

Blank: DIN connector  
L: DIN connector with LED indicator  
E: Explosion protection (Table 1)  
(E type use black coil)

4: 4 way (5 port)

E1: Single Solenoid  
E2: Double Solenoid

### Order example of cylinder link seats

MVSN - 300 - C

MODEL

CYLINDER LINK SEATS

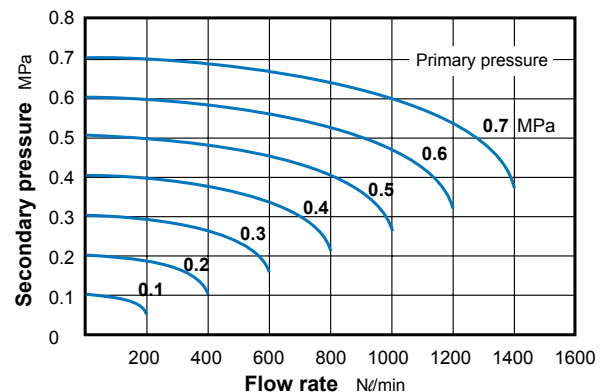
\* Use the same link seats with MVSN-300.

Table 1

### Property for explosion-proof type

Anti-explosion class	EEx m II T4
Voltage	AC110V, 220V, (50/60)Hz, DC24V.
Power consumption	AC=4.4VA DC=5W
Available voltage range	±10%
Insulation class	F class
Wire length	3 m

### Flow features

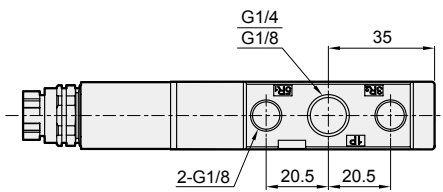
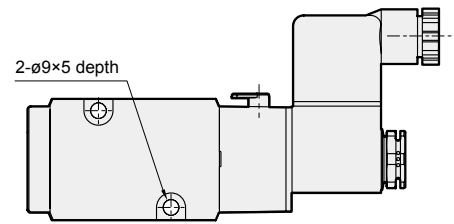
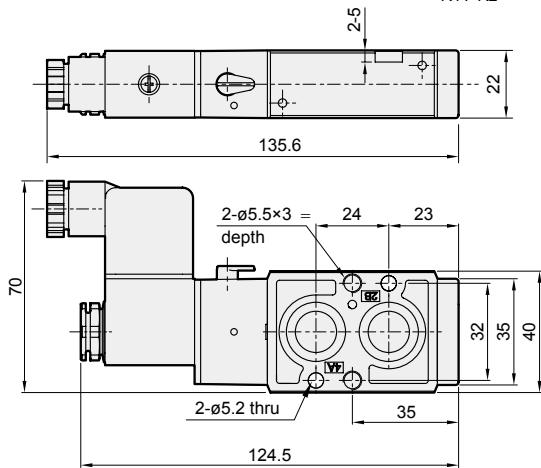
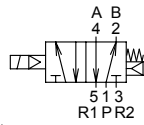


# MVSN-220 Dimensions

## NAMUR SOLENOID VALVE



### MVSN-220-4E1



### MVSN-220-4E2

