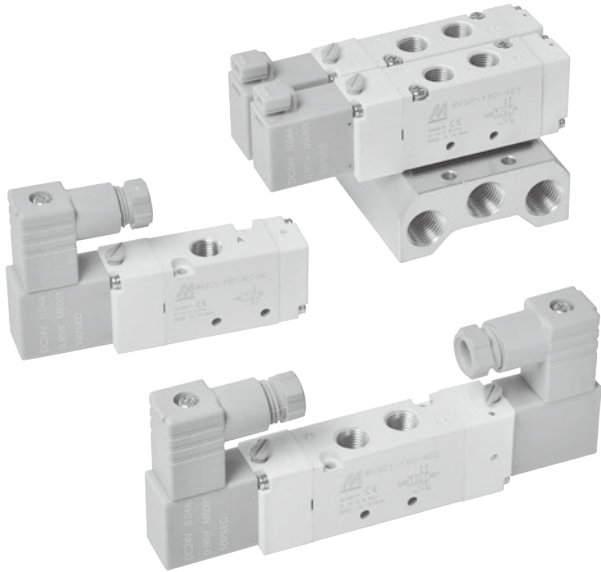


MVSC1-180 series

SOLENOID VALVE

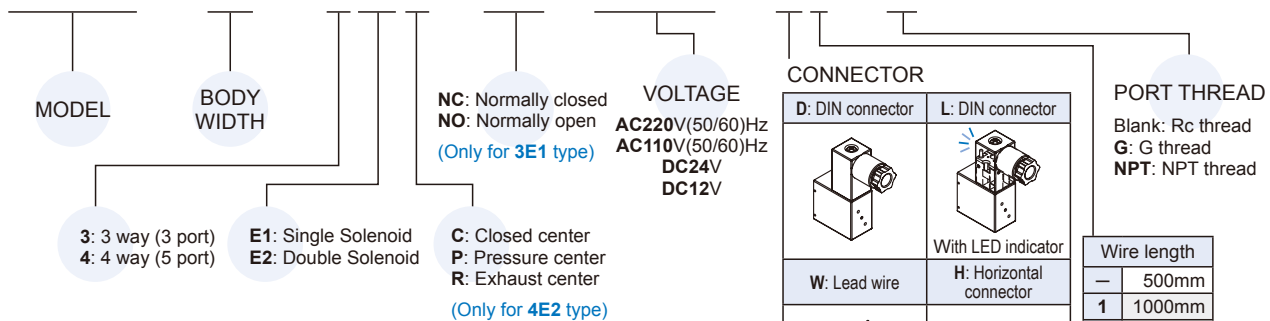


Specification

Model	3E1	3E2	4E1	4E2	4E2 C.P.R
Port size	Rc1/8				
No. of port / position	3 / 2		5 / 2		5 / 3
Medium	Air				
Operating pressure range	0.15~0.8 MPa			0.2~0.7 MPa	
Proof pressure	1 MPa				
Effective orifice	15 mm ²		12 mm ²		9 mm ²
Response time	DC<25 ms; AC<35 ms			DC<30ms;AC<35ms	
Ambient temperature	-5~+50°C (No freezing)				
Voltage	AC110V, 220V (50/60)Hz, DC24/12V				
Power consumption	AC=1.12VA, DC=0.95W				
Available voltage range	±10%				
Insulation class	F class				
Weight	90 g	125 g	94 g	129 g	143 g

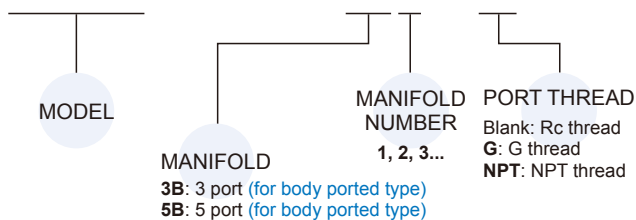
Order example of valve

MVSC1 – 180 – 4E2C – NC – AC110 – H1 – G



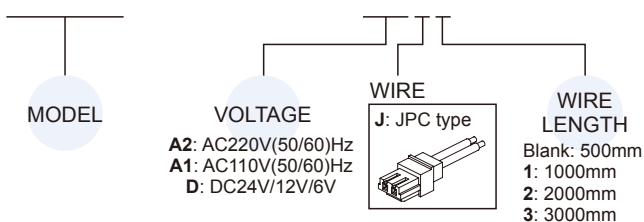
Order example of manifold

MVSC1 – 180 – 3B3 – G



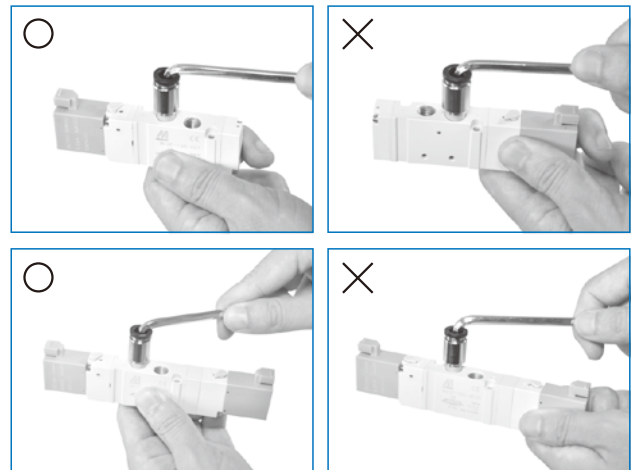
Order example of wire

MVDY – 100 – WA2J2



Caution

Prohibit apply force to coil when tighten the tube fitting.

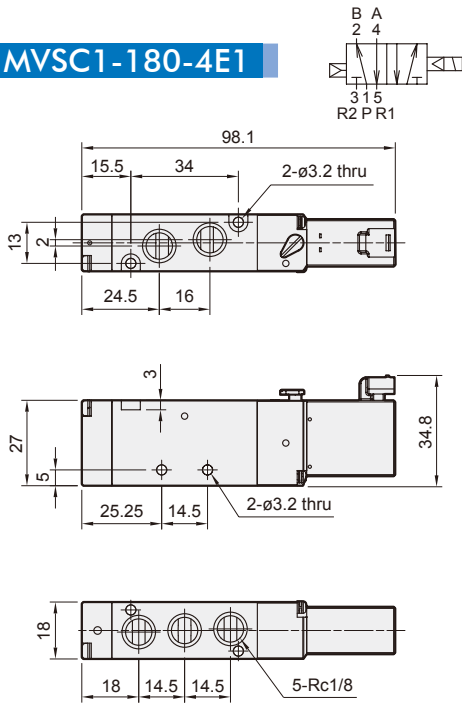


MVSC1-180 Dimensions

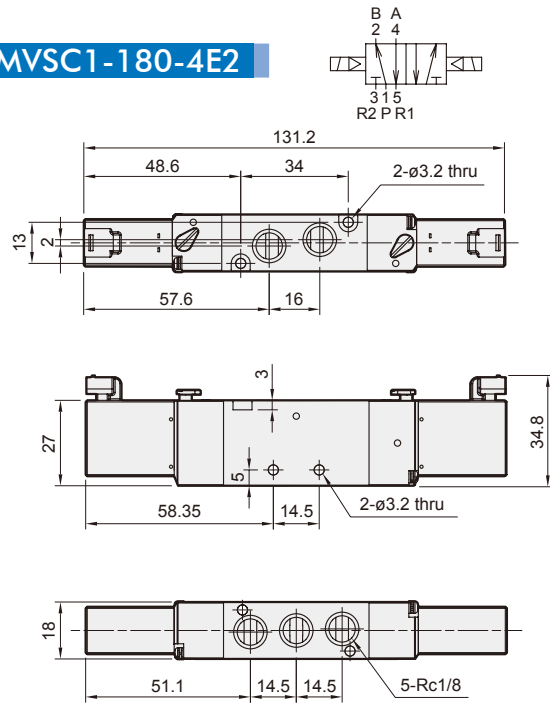
SOLENOID VALVE



MVSC1-180-4E1

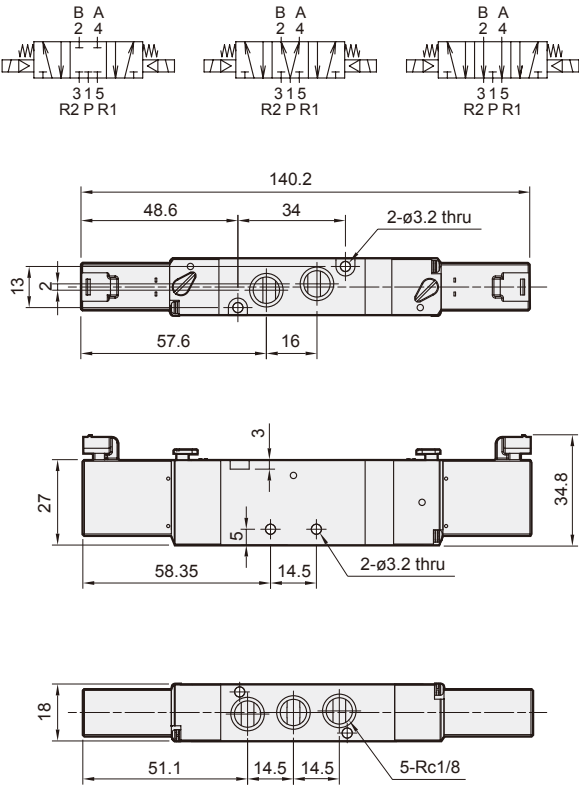


MVSC1-180-4E2

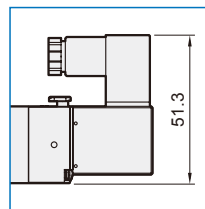


MVSC1-180-4E2C.P.R

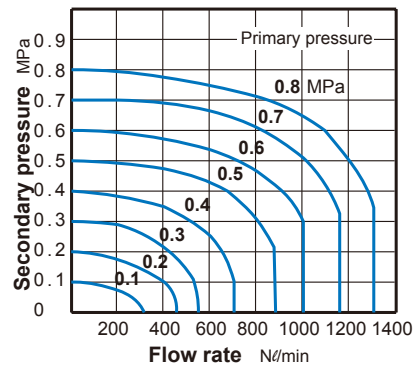
MVSC1-180-4E2C MVSC1-180-4E2P MVSC1-180-4E2R



DIN connector /
DIN connector
with LED indicator



Flow features

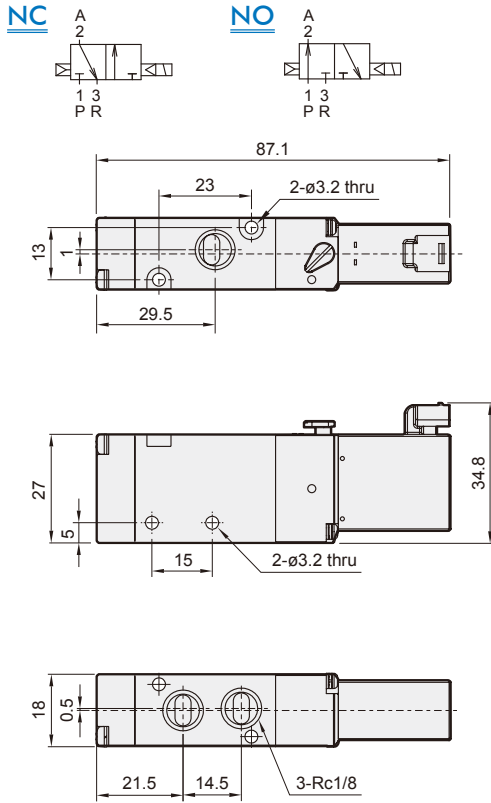


MVSC1-180 Dimensions

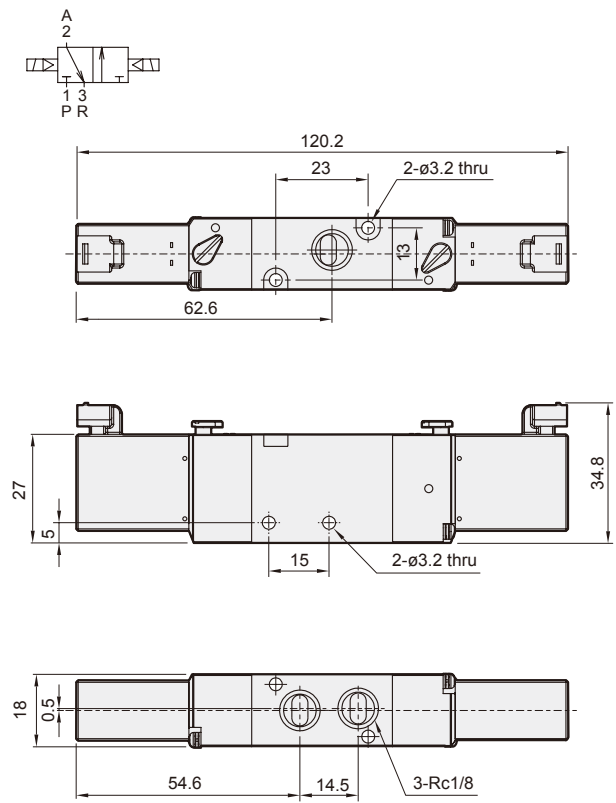
SOLENOID VALVE



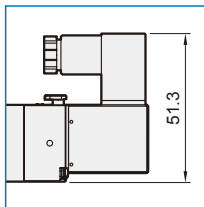
MVSC1-180-3E1-NC/NO



MVSC1-180-3E2



DIN connector /
DIN connector with LED indicator



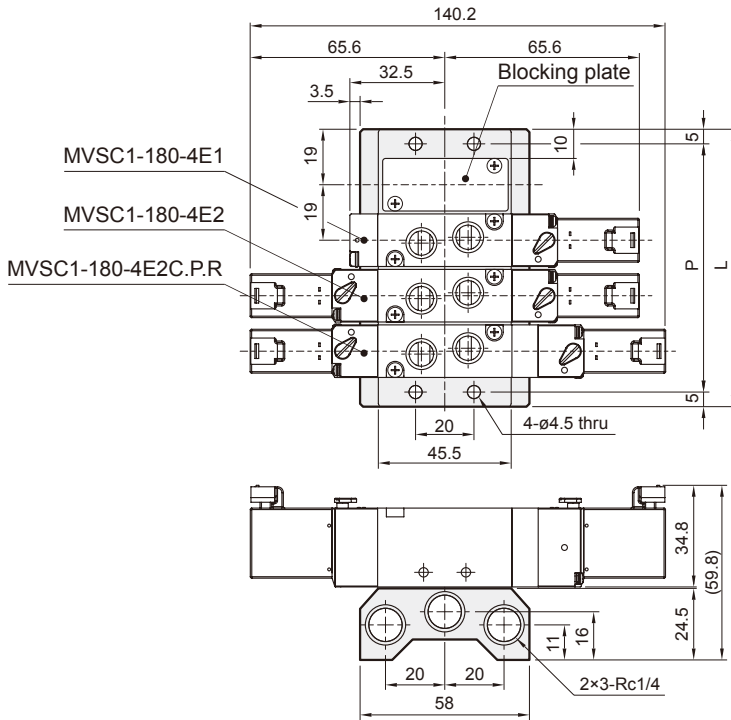
MVSC1-180 Manifold

SOLENOID VALVE



MVSC1-180-5B*

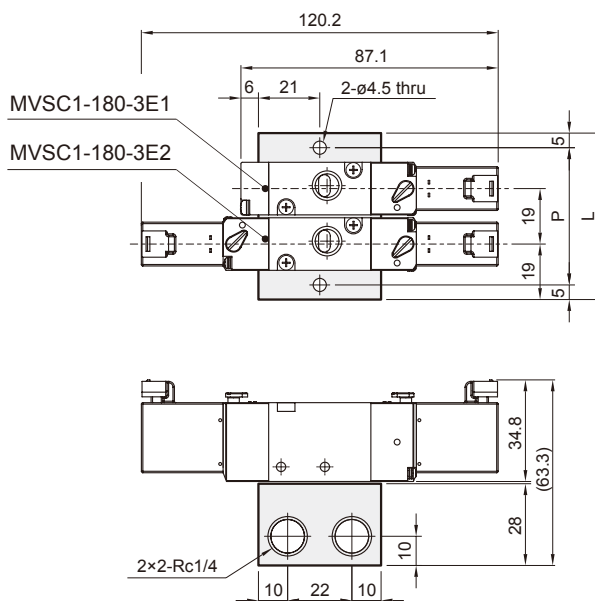
5 port (for body ported type)



No. of stations	P	L
2	47	57
3	66	76
4	85	95
5	104	114
6	123	133
7	142	152
8	161	171
9	180	190
10	199	209

MVSC1-180-3B*

3 port (for body ported type)



No. of stations	P	L
2	47	57
3	66	76
4	85	95
5	104	114
6	123	133
7	142	152
8	161	171
9	180	190
10	199	209