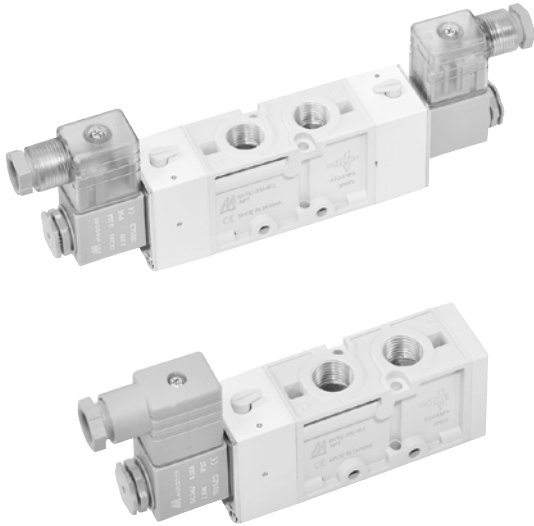


MVSC-300 series

SOLENOID VALVE



Mindman

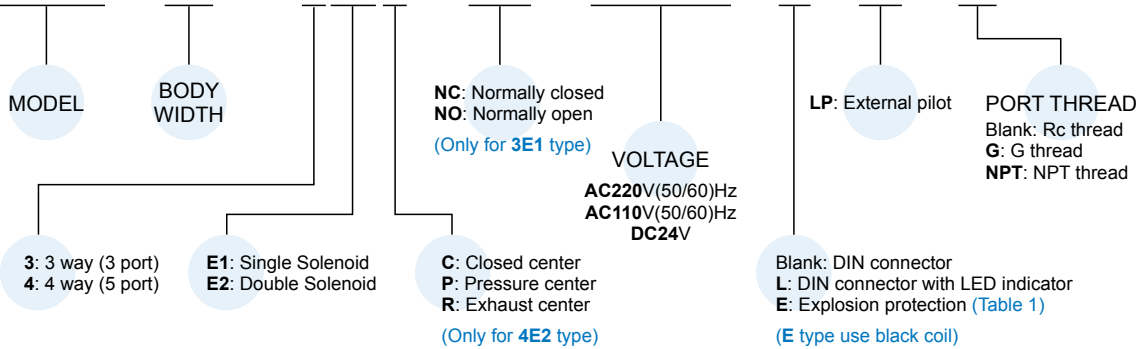


Specification

Model	3E1	3E2	4E1	4E2	4E2 C.P.R
Bore No.	10A				
Port size	Rc3/8				
No. of port	3		5		
No. of position	2			3	
Medium	Air				
Operating pressure range	0.2~0.8 MPa			0.3~0.8 MPa	
Operating pressure (LP)	0~0.8 MPa				
External pilot pressure (LP)	0.2~0.8 MPa			0.3~0.8 MPa	
Proof pressure	1 MPa				
Effective orifice	30 mm ²		35 mm ²		25 mm ²
Response time	50ms				
Ambient temperature	-5~+50°C (No freezing)				
Voltage	AC110V, 220V (50/60)Hz, DC24V				
Power consumption	AC=4.8/4.4VA, 6/4.9VA, DC=2W				
Available voltage range	±10%				
Insulation class	F class				
Weight	350 g	439 g	293 g	387 g	530 g

Order example of valve

MVSC – 300 – 4E2C – NC – AC110 – L – LP – G



Order example of manifold

MVSC – 300 – 3B3 – G

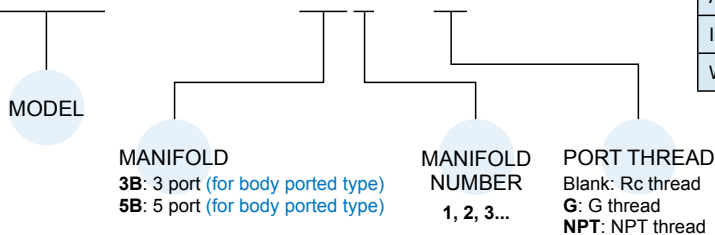


Table 1

Property for explosion-proof type

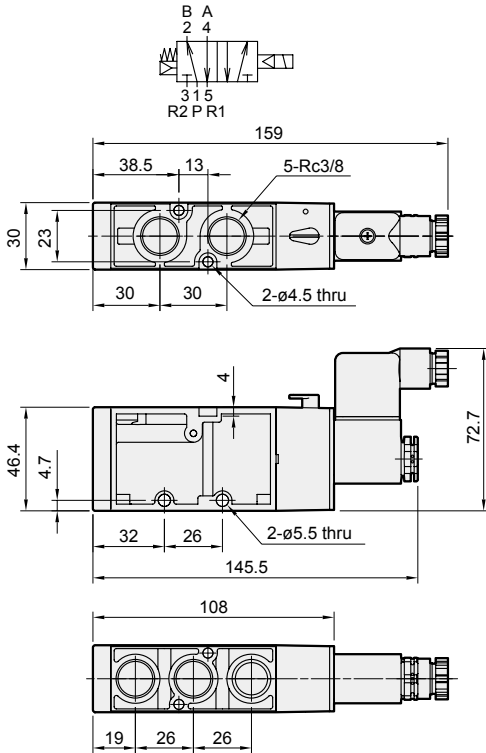
Anti-explosion class	EEx m II T4
Voltage	AC110V, 220V.(50/60)Hz, DC24V.
Power consumption	AC=4.4VA DC=5W
Available voltage range	±10%
Insulation class	F class
Wire length	3 m

MVSC-300 Dimensions

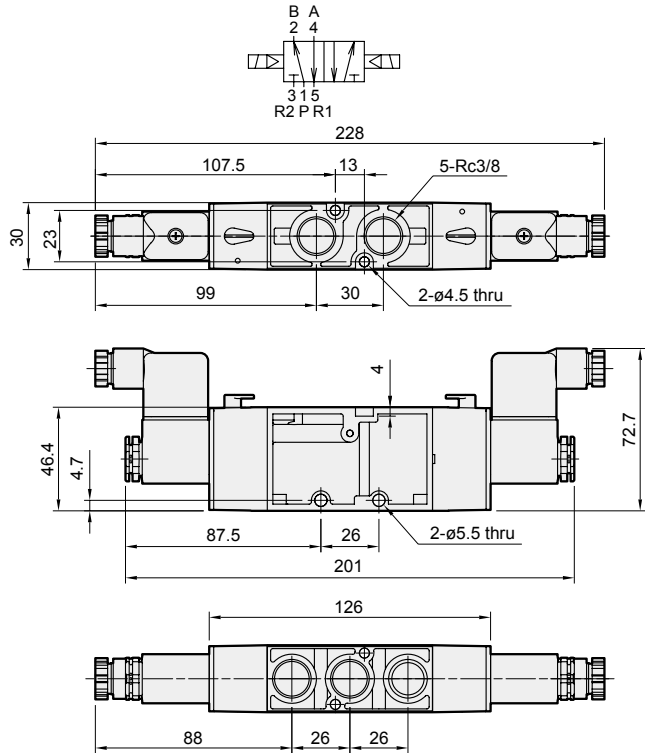
SOLENOID VALVE



MVSC-300-4E1



MVSC-300-4E2

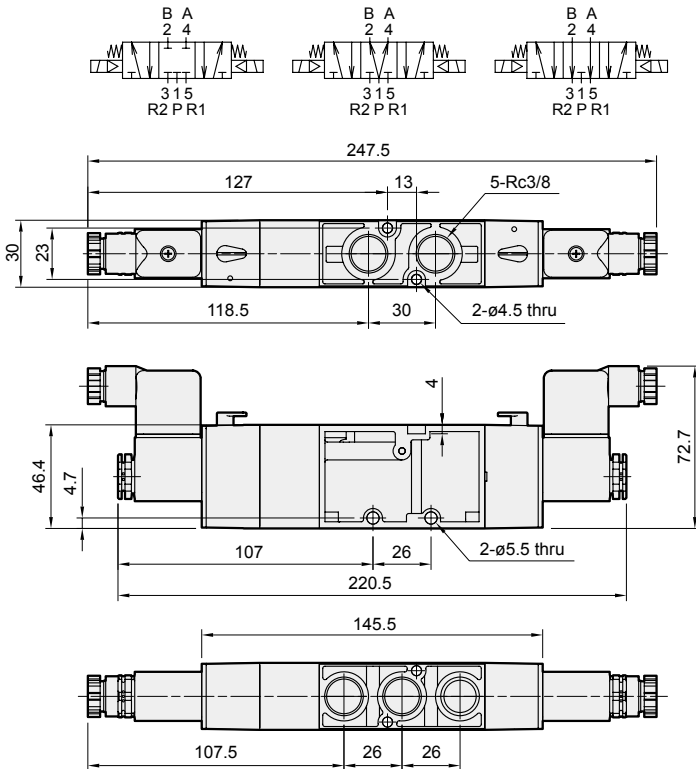


MVSC-300-4E2C.P.R

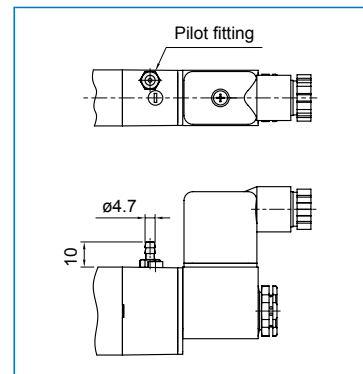
MVSC-300-4E2C

MVSC-300-4E2P

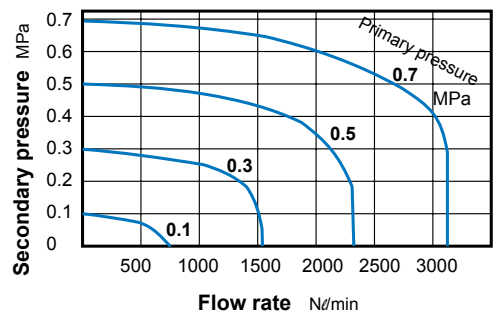
MVSC-300-4E2R



LP



Flow features

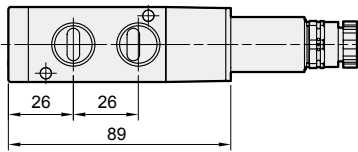
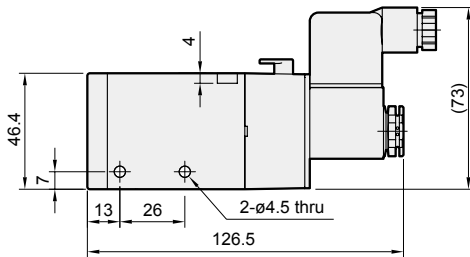
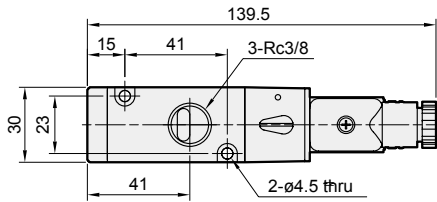
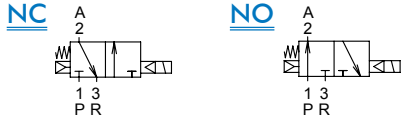


MVSC-300 Dimensions / Manifold

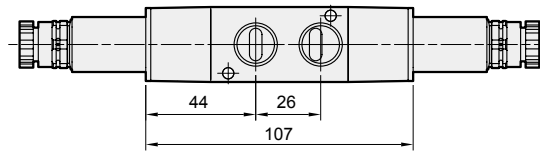
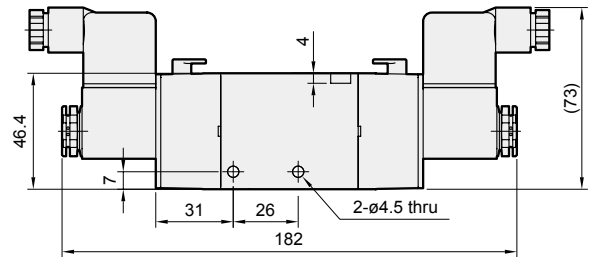
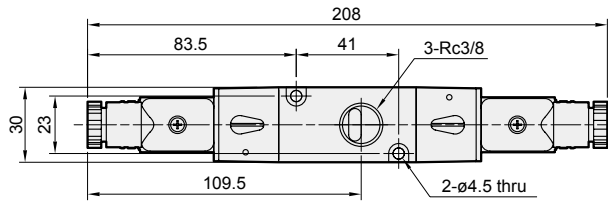
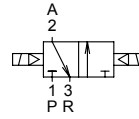
SOLENOID VALVE



MVSC-300-3E1-NC/NO



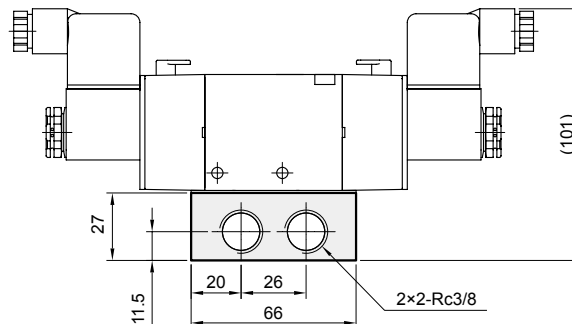
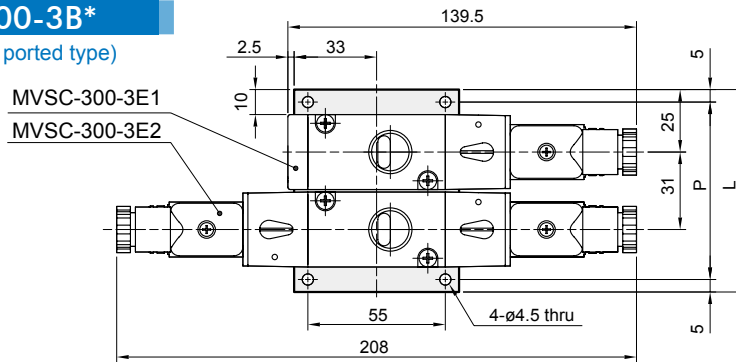
MVSC-300-3E2



Manifold of solenoid valve

MVSC-300-3B*

3 port (for body ported type)



No. of stations	P	L
2	71	81
3	102	112
4	133	143
5	164	174
6	195	205
7	226	236
8	257	267
9	288	298
10	319	329

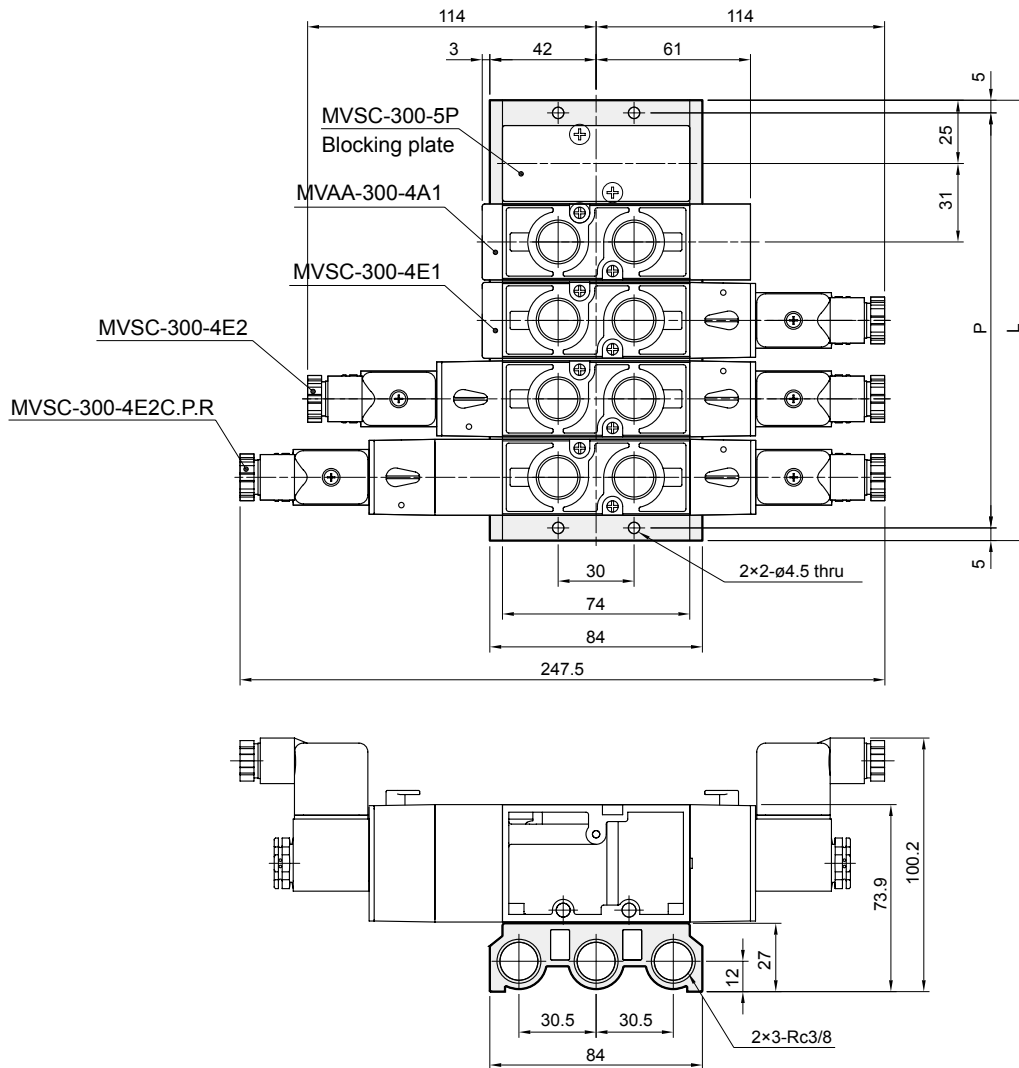
MVSC-300 Manifold

SOLENOID VALVE



MVSC-300-5B*

5 port (for body ported type)



No. of stations	P	L
2	71	81
3	102	112
4	133	143
5	164	174
6	195	205
7	226	236
8	257	267
9	288	298
10	319	329