

## ERS 55 AB11 V2A (410 369)

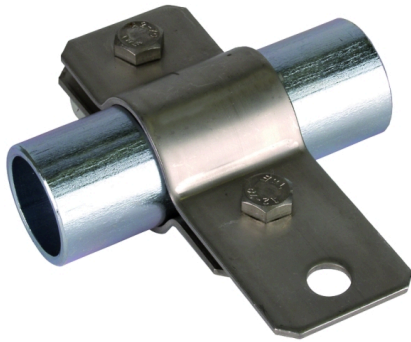
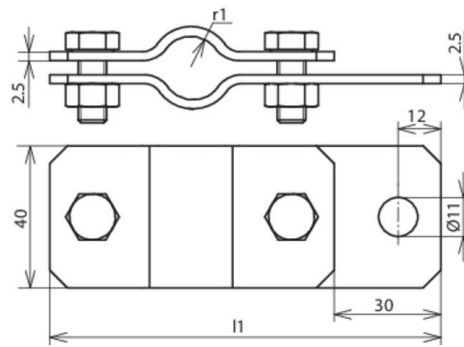


Figure without obligation



Arrangement:

| Type  | ERS 55 AB11 V2A      |
|---|----------------------|
| Part No.  | 410 369              |
| Clamping range pipe Ø                             | 55 mm                |
| Material  | StSt                 |
| Screw   | M8 x 20 mm           |
| Material of screw / nut                           | StSt                 |
| Dimensions (l1 x r1)                              | 145 x 27.5 mm        |
| Lightning current carrying capability (10/350 µs) | 100 kA <sup>*)</sup> |
| Standard  | EN 62561-1           |
| Weight  | 260 g                |
| Customs tariff number                             | 85389099             |
| GTIN  | 4013364081529        |
| PU  | 25 Stk               |

<sup>\*)</sup> For exact assignment, see test certificate.

We reserve the right to introduce changes in performance, configuration and technology, dimensions, weights and materials in the course of technical progress. The figures are shown without obligation.