

FK KB 6.10 KBF0.7 8 STTZN (365 030)

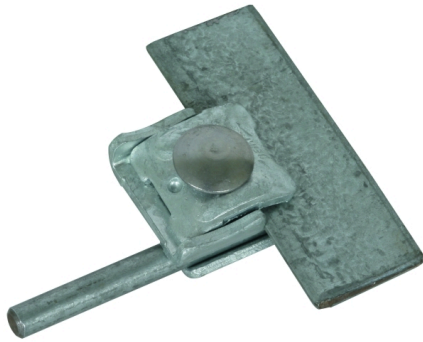
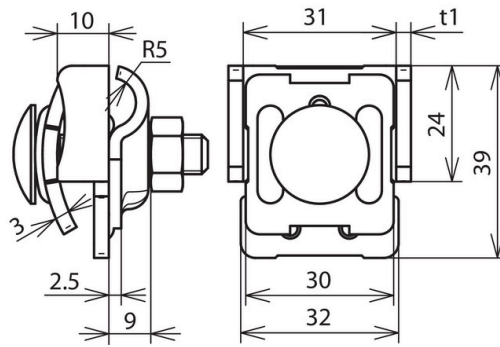


Figure without obligation



Arrangement:



Type	FK KB 6.10 KBF0.7 8 STTZN
Part No.	365 030
Clamping range of seam	0.7-8 mm
Material of clamp	St/tZn
Material thickness (t1)	3 mm
Clamping range Rd	6-10 mm
Screw	⬆ M8 x 35 mm
Material of screw / nut	StSt
Lightning current carrying capability (10/350 µs)	*)
Standard	EN 62561-1
Weight	100 g
Customs tariff number	85389099
GTIN	4013364046894
PU	50 Stk

*) For exact assignment see test certificate.

We reserve the right to introduce changes in performance, configuration and technology, dimensions, weights and materials in the course of technical progress. The figures are shown without obligation.