

DLH DG 8 H20 WPRO5 8 V2A (206 339)

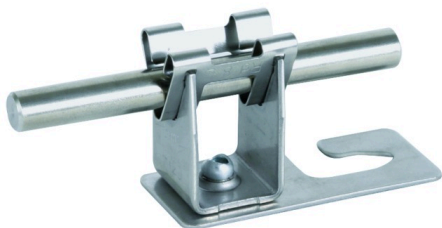
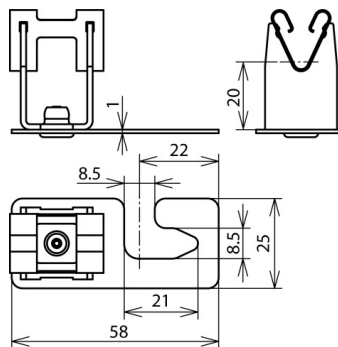


Figure without obligation



Type	DLH DG 8 H20 WPRO5 8 V2A
Part No.	206 339
Application note	for ridge and roof conductors, adjustable conductor leading (support)
Material of roof conductor holder	StSt
Type of conductor holder	DEHNgrip
Height of conductor holder	20 mm
Material of conductor holder	StSt
Conductor support Rd	8 mm
Conductor routing	loose
Hole Ø	7.8 mm
Fixing possibility	for clamping at the screw head
Type of roofing	corrugated sheet roofing profile 5 (distance 177 mm) profile 8 (distance 130 mm)
Standard	EN 62561-4
Weight	27 g
Customs tariff number	85389099
GTIN	4013364047730
PU	50 Stk

We reserve the right to introduce changes in performance, configuration and technology, dimensions, weights and materials in the course of technical progress. The figures are shown without obligation.