

DLH FS 8 H16 L170 GR V2A (204 935)

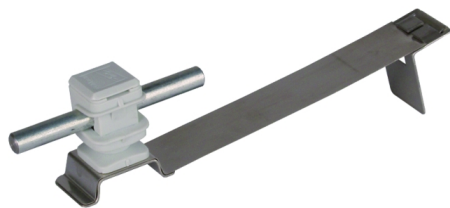
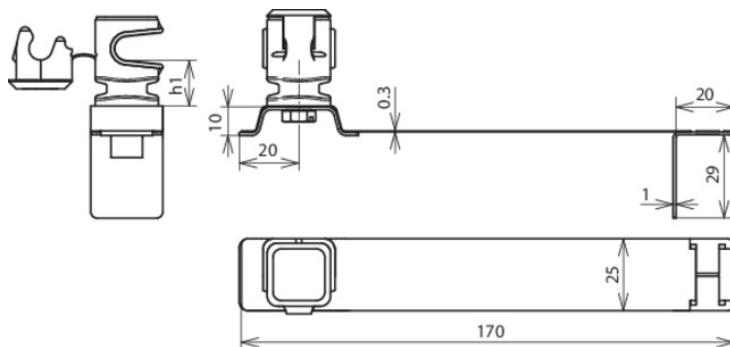


Figure without obligation



Type	DLH FS 8 H16 L170 GR V2A
Part No.	204 935
Type of roof conductor holder	FLEXIsnap
Material of roof conductor holder	StSt
Length of brace	170 mm
Height of conductor holder (h1)	16 mm
Material of conductor holder	plastic
Colour of conductor holder	grey *
Conductor support Rd	8 mm
Type of conductor holder	DEHNsnap
Female thread	M6
Type of roofing	interlocking tiles
Conductor routing	losoe
Fixing possibility	for hooking at interlocking tiles, with flexible brace
Weight	40 g
Customs tariff number	85389099
GTIN	4013364029958
PU	1 Stk

We reserve the right to introduce changes in performance, configuration and technology, dimensions, weights and materials in the course of technical progress. The figures are shown without obligation.