

UEK 8.10 AQ4 50 HKSM10 V2A (540 260)

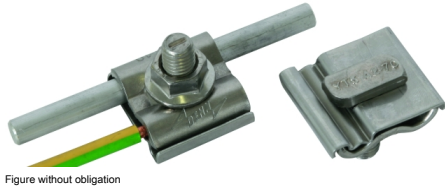
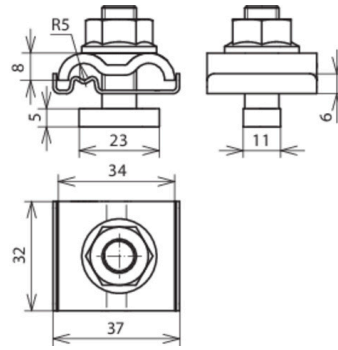


Figure without obligation



Earthing clamps for integrating mounting systems, e.g. of PV installations in the functional equipotential bonding/functional earthing (black conductor possible) and lightning equipotential bonding according to IEC/EN 62305-3.

The StSt contact plate (intermediate element) allows different conductor materials (Cu, Al, St/tZn and StSt) to be connected to the normal mounting systems, e.g. to aluminium, without the risk of contact corrosion.

The double clamp design allows easy and quick interconnection of the profiles, e.g. by feed-through wiring.



Arrangement:

Type	UEK 8.10 AQ4 50 HKSM10 V2A
Part No.	540 260
Material of clamp	StSt
Clamping range Rd	8-10 mm
Connection (solid / stranded)	4-50 mm ²
Screw	Hammer-head bolt (23 x 11 mm), M10 x 30 mm
Self-locking nut	width across flats 15 mm
Material of screw / nut	StSt
Lightning current carrying capability (10/350 µs)	$I_{imp} 100 kA$ / $I_{imp} 50 kA$ *)
Standard	EN 62561-1
Weight	60 g
Customs tariff number	85389099
GTIN	4013364138667
PU	50 Stk

*) For exact assignment, see test certificate.

We reserve the right to introduce changes in performance, configuration and technology, dimensions, weights and materials in the course of technical progress. The figures are shown without obligation.