



- Advanced high quality LED downlight
- Unique optical lens concept with high gloss (HG) reflector and low glare
- Low luminaire height (max 73mm)
- Direct replacement for compact fluorescent downlights
- IP44 on light emitting side
- Provided with protective foil in order to protect the optics against dust and dirt during the installation



## Specifications

| Item Code     | Item Description                  | Equivalent to (W) | Power (W) | Lumen | Efficacy (lm/W) | UGR | CCT (K) | Colour rendering index (CRI) | Weight (kg/pc) |
|---------------|-----------------------------------|-------------------|-----------|-------|-----------------|-----|---------|------------------------------|----------------|
| <b>On-Off</b> |                                   |                   |           |       |                 |     |         |                              |                |
| 140057156     | LEDDownlightRc-P-HG R200-23W-3000 | CFL 2x26W         | 23        | 2480  | 108             | ≤19 | 3000    | ≥ 80                         | 0.76           |

## Accessories



140060647  
LEDDownlightRc-P-SI-E-Adapter-200-225



140061243  
LEDDownlightRc-P-R200-Surface-Module-WH



549098001300  
LEDDownlightRc-P EM-kit 1h



542098030700  
Junction-Box-WH

140060648  
LEDDownlightRc-P-SI-E-Adapter-200-250

549098001400  
LEDDownlightRc-P EM-kit 3h

## Packaging Information

| Item         |   |            | Box                     |                   |               |        |
|--------------|---|------------|-------------------------|-------------------|---------------|--------|
| Item Code    | Item Description                        | EU HS Code | Dimensions (mm) (LxWxH) | Gross Weight (kg) | EAN           | pc/box |
| 140057156    | LEDDownlightRc-P-HG R200-23W-3000       | 94051190   | 260x260x118             | 1.18              | 6956712692603 | 1      |
| 140060647    | LEDDownlightRc-P-SI-E-Adapter-200-225   | 94059900   | 250x250x0.8             | 0.23              | 6956321894139 | 1      |
| 140060648    | LEDDownlightRc-P-SI-E-Adapter-200-250   | 94059900   | 275x275x0.8             | 0.20              | 6956321894146 | 1      |
| 140061243    | LEDDownlightRc-P-R200-Surface-Module-WH | 94059900   | 277x277x240             | 2.66              | 6956321841416 | 1      |
| 542098030700 | Junction-Box-WH                         | 85369010   | 43x103.4x26             | 0.06              | 6941408868684 | 1      |
| 549098001300 | LEDDownlightRc-P EM-kit 1h              | 85044083   | 490x390x150             | 0.98              | 6941497709592 | 1      |
| 549098001400 | LEDDownlightRc-P EM-kit 3h              | 85044083   | 490x390x150             | 1.08              | 6941497709585 | 1      |

| Technical Specifications  |                       |
|---------------------------|-----------------------|
| Lifetime (L70)            | 70,000 h              |
| Lifetime (L80)            | 50,000 h              |
| On-/Off-cycles            | 100,000               |
| Colour consistency (SDCM) | 3                     |
| Dimmability               | On-Off                |
| Beam angle                | 70°                   |
| Finishing                 | White RAL9003         |
| IP front side             | IP44                  |
| IP recessed part          | IP20                  |
| Impact strength           | IK02                  |
| Protection class          | II                    |
| Risk group (EN 62471)     | RG0 / RG1 (23W & 33W) |
| With control gear         | Yes                   |
| Glow wire test            | 650°C                 |
| Power factor              | ≥ 0.9                 |

| Electrical Supply |  |
|-------------------|--|
| Frequency         | 50/60 Hz   |
| Nominal voltage   | 220-240 V  |
| DC input voltage  | See catalogue appendix Connection Specifications |
| 230V Cable length | 0.3 m  |

| Mechanical Properties |                     |
|-----------------------|---------------------|
| Housing material      | Die-casted Aluminum |
| Optical material      | Polycarbonate       |

| Ambient Conditions      |           |
|-------------------------|-----------|
| Operating temperature   | -10-+40°C |
| Application temperature | +25°C     |
| Storage environment     | -25-+50°C |

**5 YEARS WARRANTY**



**ENERGY**

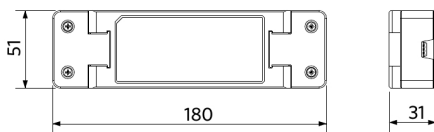
OPPLE Lighting  
140057156

**23**  
kWh/1000h

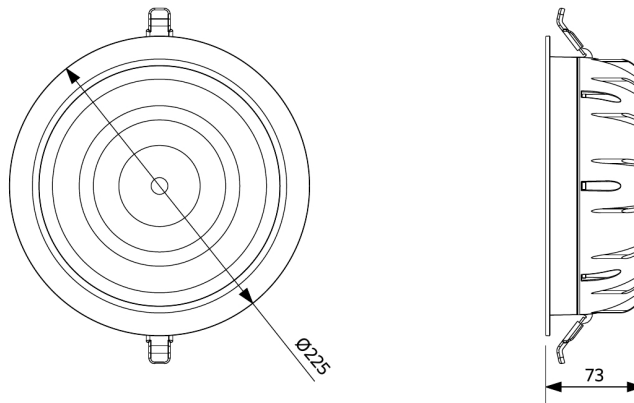
2019/2015

## Dimensional Drawing (mm)

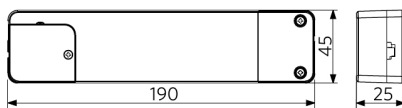
LEDDownlight Driver



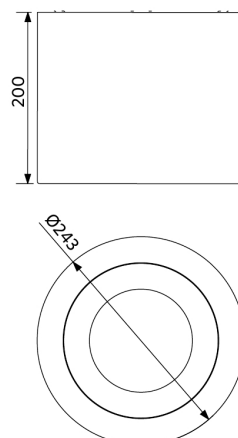
LEDDownlightRc-P-HG R200



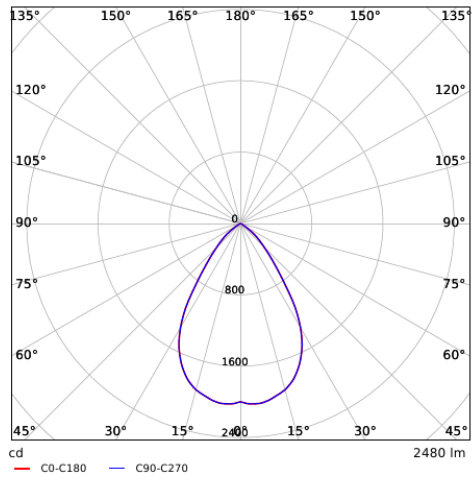
LEDDownlight Driver Tunable White



LEDDownlightRc-P-HG R200  
LEDDownlightRc-P-R200-Surface-Module



## Photometric Data



## Installation Opening Drawing (mm)

LEDDownlightRc-P-HG R200  
Ø200

