



Module Clio G2

- Fits well in slim ceiling luminaires
- Easy and flexible installation
- Shadow free, homogeneous light diffusion
- Integrated driver
- Including magnets and connection box
- Daylight and motion sensor accessory available

Specifications

| Item Code | Item Description | Equivalent to (W) | Power (W) | Lumen | Efficacy (lm/W) | CCT (K) | Weight (kg/pc) |
|-------------------------|--------------------------------------|--------------------|-----------|-------|-----------------|---------|----------------|
| Dimmable (Triac) | | | | | | | |
| 140066206 | LED E C module 36W DIM 2700K Clio CT | CFL TC-DD/PL-Q 38W | 36 | 3800 | 106 | 2700 | 0.49 |

Packaging Information

| Item | | | Box | | | |
|--------------|--------------------------------------|------------|-------------------------|-------------------|---------------|--------|
| Item Code | Item Description | EU HS Code | Dimensions (mm) (LxWxH) | Gross Weight (kg) | EAN | pc/box |
| 140066206 | LED E C module 36W DIM 2700K Clio CT | 94054239 | 324x35x324 | 0.67 | 6945730472335 | 1 |
| 821017001200 | LEDsmart-BLE-Relay-250W-DIM | 94059200 | 90x40x30 | 0.08 | 6941408898469 | 1 |
| 821017003600 | LEDsmart-BLE2-Relay-250W-DIM | 94059200 | 90x40x30 | 0.09 | 6931783007594 | 1 |

| Technical Specifications | |
|------------------------------|----------|
| Lifetime (L70) | 30,000 h |
| Lifetime (L80) | 20,000 h |
| On-/Off-cycles | 100,000 |
| Dimmability | Triac |
| Beam angle | 150° |
| Colour rendering index (CRI) | ≥ 80 |
| Degree of protection (IP) | IP20 |
| Protection class | II |
| With control gear | Yes |

| Electrical Supply | |
|-------------------|-----------|
| Frequency | 50/60 Hz |
| Nominal voltage | 220-240 V |
| DC input voltage | No |
| 230V Cable length | 0.3 m |

| Ambient Conditions | |
|-------------------------|-----------|
| Operating temperature | -20-+40°C |
| Application temperature | +25°C |
| Storage environment | -25-+50°C |



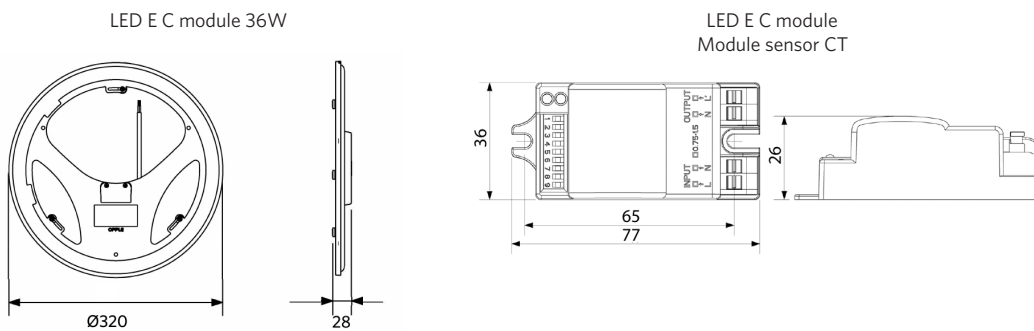
ENERGY

OPPLE Lighting
140066206

36
kWh/1000h

2019/2015

Dimensional Drawing (mm)



Photometric Data

