



## Downlight Performer MW

- Advanced high quality LED downlight
- Unique optical lens concept with matte white (MW) reflector and low glare
- Low luminaire height (max 73mm)
- Direct replacement for compact fluorescent downlights - saving over 60% of energy costs
- IP44 on light emitting side
- Provided with protective foil in order to protect the optics against dust and dirt during the installation



## Specifications

Item Code	Item Description	Equivalent to (W)	Power (W)	Lumen	Efficacy (lm/W)	UGR	CCT (K)	Colour rendering index (CRI)	Weight (kg/pc)
Smart									
140063621	LEDDownlightRc-P-MW R200-15W-BLE-3000	CFL 1x26W	15	1620	108	≤19	3000	≥ 80	0.84

Available on request with Wieland GST18 or WAGO WINSTA connector, or Euro/Schuko plug. DALI2 versions are compatible with central emergency lighting according to EN 50172.

## Accessories



140060647  
LEDDownlightRc-P-SI-E-Adapter-200-225

140060648  
LEDDownlightRc-P-SI-E-Adapter-200-250



140061243  
LEDDownlightRc-P-R200-Surface-Module-WH



549098001300  
LEDDownlightRc-P EM-kit 1h

549098001400  
LEDDownlightRc-P EM-kit 3h



542098030700  
Junction-Box-WH

See appendix Adapter Rings Overview for adapter ring dimensional drawings.

## Packaging Information

Item			Box			
Item Code	Item Description	Commodity Code	Dimensions (mm) (LxWxH)	Gross Weight (kg)	EAN	pc/box
140063621	LEDDownlightRc-P-MW R200-15W-BLE-3000	94051190	260x260x118	1.21	6945730414557	1
140060647	LEDDownlightRc-P-SI-E-Adapter-200-225	94059900	250x250x0.8	0.23	6956321894139	1
140060648	LEDDownlightRc-P-SI-E-Adapter-200-250	94059900	275x275x0.8	0.20	6956321894146	1
140061243	LEDDownlightRc-P-R200-Surface-Module-WH	94059900	277x277x240	2.66	6956321841416	1
140063563	LEDSmartlight-Rc-Sensor	85365005	100x100x70	0.19	6956321862602	1
140063564	LEDSmartlight-Switch	85365005	89x21x101	0.10	6956321862619	1
506006003100	LEDSmart-Relay-500W	85364900	37x110x57	0.10	6956321820824	1
542098030700	Junction-Box-WH	85369010	43x103.4x26	0.06	6941408868684	1
549098001300	LEDDownlightRc-P EM-kit 1h	85044082	490x390x150	0.98	6941497709592	1
549098001400	LEDDownlightRc-P EM-kit 3h	85044082	490x390x150	1.08	6941497709585	1
560000005700	Smart Connect Box	85176200	100x60x105	0.30	6941497711663	1
560000008400	LEDSmartlight-Rc-MW-Sensor	85365005	110x110x75	0.19	6941497726995	1
560098000600	LEDSmart-Sensor Surface-Module-WH	94059200	330x220x255	0.15	6941497703972	1
821017001100	LEDSmart-BLE-Multi-Switch-Module	94059200	46x46x30	0.07	6941408898476	1

### Technical Specifications

Lifetime (L70)	70,000 h
Lifetime (L80)	50,000 h
On-/Off-cycles	100,000
Colour consistency (SDCM)	3
Dimmability	BLE
Beam angle	70°
Finishing	White RAL9003
IP front side	IP44
IP recessed part	IP20
Impact strength	IK02
Protection class	II
Risk group (EN 62471)	RG0 / RG1 (23W, 33W & 44W)
With control gear	Yes
Glow wire test	650°C
Driver failure rate (at 5,000 hrs)	<1 %
Power factor	≥ 0.9

### Electrical Supply

Frequency	50/60 Hz
Nominal voltage	220-240 V AC
DC input voltage	See catalogue appendix
	Connection Specifications
230V Cable length	0.3 m

### Mechanical Properties

Housing material	Die-casted Aluminum
Optical material	Polycarbonate

### Ambient Conditions

Operating temperature	-10--+40°C
Application temperature	+25°C
Storage environment	-25--+50°C



**ENERGY**

OPPLE Lighting  
140063621

A

B

C

D

E

F

G

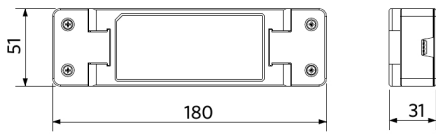
F

**15**  
kWh/1000h

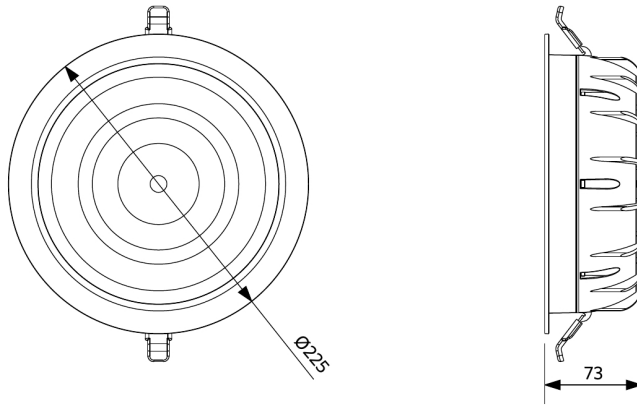
2019/2015

## Dimensional Drawing (mm)

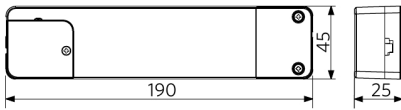
LEDDownlight Driver



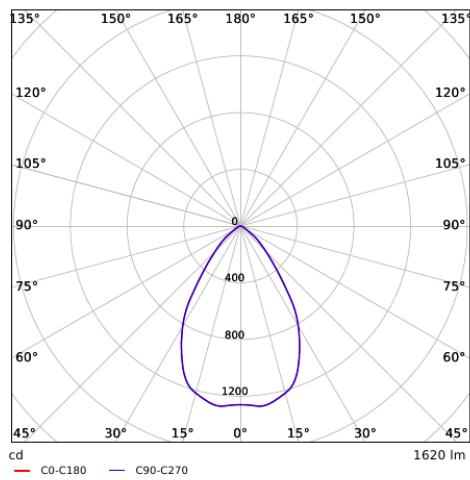
LEDDownlightRc-P-MW R200



LEDDownlight Driver Tunable White



## Photometric Data



## Installation Opening Drawing (mm)

LEDDownlightRc-P-MW R200  
Ø200

